

HP-UX Virtual Partitions Administrator's Guide

HP Part Number: T1335-90098
Published: September 2008
Edition: 16



© Copyright 2008 Hewlett-Packard Development Company L.P. All rights reserved

Legal Notices

The information in this document is subject to change without notice.

Hewlett-Packard makes no warranty of any kind with regard to this manual, including, but not limited to, the implied warranties of merchantability and fitness for a particular purpose. Hewlett-Packard shall not be held liable for errors contained herein or direct, indirect, special, incidental or consequential damages in connection with the furnishing, performance, or use of this material.

Warranty A copy of the specific warranty terms applicable to your Hewlett-Packard product and replacement parts can be obtained from your local Sales and Service Office.

Restricted Rights Legend Use, duplication or disclosure by the U.S. Government is subject to restrictions as set forth in subparagraph (c) (1) (ii) of the Rights in Technical Data and Computer Software clause at DFARS 252.227-7013 for DOD agencies, and subparagraphs (c) (1) and (c) (2) of the Commercial Computer Software Restricted Rights clause at FAR 52.227-19 for other agencies.

HEWLETT-PACKARD COMPANY

3000 Hanover Street

Palo Alto, California 94304 U.S.A.

Use of this manual and flexible disk(s) or tape cartridge(s) supplied for this pack is restricted to this product only. Additional copies of the programs may be made for security and back-up purposes only. Resale of the programs, in their present form or with alterations, is expressly prohibited.

Copyright Notices Copyright © 2008 Hewlett-Packard Company. All rights reserved. Reproduction, adaptation, or translation of this document without prior written permission is prohibited, except as allowed under the copyright laws.

iCAP, iCOD and iCOD CPU Agent Software are products of Hewlett-Packard Company, and all are protected by copyright.

Copyright © 1979, 1980, 1983, 1985-93 Regents of the University of California. This software is based in part on the Fourth Berkeley Software Distribution under license from the Regents of the University of California.

Copyright © 1988 Carnegie Mellon University

Copyright © 1990-1995 Cornell University

Copyright © 1985, 1986, 1988 Massachusetts Institute of Technology.

Copyright © 1989-1991 The University of Maryland

Copyright © 1997 Isogon Corporation

Copyright © 1986 Digital Equipment Corporation.

Copyright © 1991-1997 Mentat, Inc.

Copyright © 1996 Morning Star Technologies, Inc.

Copyright © 1990 Motorola, Inc.

Copyright © 1980, 1984, 1986 Novell, Inc.

Copyright © 1989-1993 The Open Software Foundation, Inc.

Copyright © 1996 Progressive Systems, Inc.

Copyright © 1986-1992 Sun Microsystems, Inc.

Trademark Notices Unix® is a registered trademark in the United States and other countries, licensed exclusively through The Open Group.

Intel® and Itanium® are trademarks or registered trademarks of Intel Corporation or its subsidiaries in the United States and other countries.

Table of Contents

About This Document.....	15
Publication History.....	15
1 Introduction.....	17
What Is vPars?.....	17
Product Features.....	18
Why Use vPars?.....	19
vPars Increases Server Utilization and Isolates OS and Application Faults.....	19
vPars Provides Flexibility Through Multiple but Independent OS Instances.....	19
vPars Provides Flexibility Through Dynamic Processing Core and Memory Migration.....	19
Supported Environments.....	19
HP Product Interaction.....	19
Ordering vPars.....	26
2 How vPars and Its Components Work	27
Partitioning Using vPars.....	27
vPars Monitor and Database.....	29
vPars Monitor.....	29
vPars Partition Database.....	29
Boot Sequence.....	30
Boot Sequence: Quick Reference.....	30
Boot Sequence: The Details.....	31
Virtual Consoles.....	32
nPartition Logs.....	35
MCA (Machine Check Abort) Logs on Integrity Systems.....	35
Description.....	35
Location of Log Files.....	35
Security.....	36
EFI and Integrity Notes.....	37
Integrity Differences Relative to PA-RISC.....	38
Booting.....	38
Commands.....	39
For Further Information.....	39
Comparing vPars on PA-RISC and Integrity.....	39
Comparing vPars Versions.....	40
Resource Migration and Required States.....	42
Transitioning from vPars A.03.xx to vPars A.04.xx/A.05.xx (CPU Syntax and Rules).....	42
3 Planning Your System for Virtual Partitions.....	47
Full ioscan Output of Non-Cellular System Named winona.....	47
Full ioscan Output of Cellular (nPartitionable) System Named keira.....	48
Planning, Installing, and Using vPars with an nPartitionable Server.....	49
I/O Hardware Paths.....	50
Impact on vPars Commands: Specifying I/O.....	50
CPU Hardware Paths.....	50
Impact on vPars Commands: Specifying CPU.....	50
Planning Your Virtual Partitions.....	51
Virtual Partitions Layout Plan.....	51

Number of Virtual Partitions.....	52
Virtual Partition Names.....	52
Minimal Hardware Configuration.....	52
CPU.....	52
vPars A.04.xx and later.....	53
vPars A.03.xx and earlier.....	53
Memory.....	54
I/O.....	54
Assigning I/O at the LBA Level.....	54
Assigning the Hardware Console LBA.....	55
Choosing the Boot and Lan Paths.....	57
Autoboot.....	57
Virtual Partition Plan.....	57
Mixed HP-UX 11i v1/v2 vPars Environments in vPars A.04.05.....	58
Features of Mixed HP-UX 11i v1/v2 vPars Environments.....	58
Feature Summary.....	59
Mixed HP-UX 11i v2/v3 vPars Environments in vPars A.05.xx.....	60
Features.....	60
Feature Summary.....	61
Booting Summary.....	62
Determining the Version in a Mixed HP-UX 11i v2/v3 vPars Environment.....	62
Mixed HP-UX 11i v1/v2/v3 vPars Environments in vPars A.05.03.....	63
Features of Mixed HP-UX 11i v1/v2/v3 vPars Environments.....	63
Features Summary.....	65
4 Installing, Updating, or Removing vPars and Upgrading Servers with vPars.....	67
Notes, Cautions, and Other Considerations Before You Update or Install vPars.....	67
Notes.....	67
Cautions.....	68
Other Considerations.....	68
Installing Server Firmware on non-nPartitionable Servers.....	68
Setting the GSP Terminal Type.....	69
How to Set the GSP Terminal Type.....	69
Increase in Size of /stand File System.....	70
VxFS (Veritas File System) (vPars A.03.xx).....	70
SecurePath.....	70
Bundle Names.....	70
vPars Product Bundles.....	70
vPars-related Bundles (A.03.xx and earlier).....	72
Installing and Removing vPars-related Bundles	72
B6826AA (parmgr).....	72
VPARMGR.....	72
Installing vPars and the vPars-related Bundles from CD.....	72
Setting Up the Ignite-UX Server.....	73
Ignite-UX Versions.....	73
Determining the Ignite-UX Version.....	73
Ignite-UX Cookbook.....	73
Ignite-UX, the LAN, the LAN card, and vparboot - I.....	74
PA-RISC.....	74
Integrity.....	75
Updating from vPars A.04.xx to A.05.xx.....	76
Update-UX Preparation Steps.....	76
OE Bundle Names for Update-UX.....	77
The Update Process: Goal.....	77

The Update Process.....	77
Updating from vPars A.03.xx to Mixed HP-UX 11i v1/v2 vPars (A.03.05 and A.04.05) Environment.....	81
Overview of the Mixed HP-UX 11i v1/v2 vPars Environment Update Process.....	82
Update-UX Primer.....	85
OE Bundle Names for Update-UX.....	85
vPars Bundle Names for Update-UX.....	86
Changing nPartition Boot Paths To Boot the vPars A.04.xx Monitor.....	86
The Update Process for Mixed HP-UX 11i v1/v2 vPars Environments: Step by Step Details.....	87
Migrating from vPars A.03.xx to Mixed HP-UX 11i v1/v2/v3 vPars (A.03.05, A.04.02 or later, A.05.03).....	94
Updating from vPars A.04.xx to Mixed HP-UX 11i v2/v3 vPars (A.04.xx and A.05.xx) Environment.....	96
Update-UX Primer.....	96
OE Bundle Names for Update-UX.....	97
vPars Bundle Names for Update-UX.....	97
Changing nPartition Boot Paths To Boot the vPars A.05.xx Monitor.....	98
The Update Process: Goal.....	98
The Update Process: Step by Step.....	98
Updating from vPars A.03.xx to A.05.xx.....	103
General Process for A.03.xx to A.05.xx Workaround (PA only).....	103
Updating from vPars A.03.xx to A.04.xx.....	103
The Steps.....	104
Updating vPars A.03.xx to vPars A.03.05.....	106
The vPars A.03.05 Update Process.....	107
Updating from vPars (A.02.xx or A.03.xx) to A.03.xx	108
Applying a vPars Sub-System Patch.....	109
Upgrading Integrity Servers from the sx1000 to sx2000 Chipset.....	110
Hardware Path Changes.....	110
vPars Database Changes.....	110
Hardware Path Tables.....	110
Upgrading HP 9000 Servers from the sx1000 to sx2000 Chipset.....	112
Hardware Path Changes.....	112
vPars Database Changes.....	112
Hardware Path Tables.....	112
Upgrading Backplanes from PCI to PCI-X	114
Updates Involving VPARSBASE.....	114
Installing vPars with Ignite-UX on PA-RISC.....	114
Installing vPars with Ignite-UX on Integrity.....	116
Installing vPars with Software Distributor	118
Removing the vPars Product.....	119
From a Single Virtual Partition.....	119
From the Entire System.....	120

5 vPars Monitor and Shell Commands..... 121

Notes on Examples in this Chapter.....	122
Syntax of Example Commands.....	122
Example Server.....	122
Modes: Switching between nPars and vPars Modes (Integrity Only).....	122
Modes.....	122
Commands to Set the Mode.....	123
Differences Between vparconfig and parconfig.....	124
Usage Scenarios.....	124
EFI Boot Disk Paths, including Disk Mirrors, and vparefiutil (Integrity Only).....	126

vPars Monitor: Booting the vPars Monitor.....	130
vPars Monitor: Accessing the vPars Monitor Prompt.....	130
vPars Monitor: Using vPars Monitor Commands.....	131
Booting.....	131
Displaying Information.....	133
vPars Monitor: Using the vPars Monitor Commands from ISL or EFI.....	135
Commands: vPars Manpages.....	135
Commands: vPars Commands Logging.....	135
Log File Location and Log Format.....	135
Cases Where No Logging Occurs.....	136
Cases Where Logging Occurs.....	136
Constraints and Restrictions to Logging.....	136
Syslog and Priority and Facility Codes.....	137
Commands: Displaying vPars Monitor and Resource Information (vparstatus).....	137
Virtual Partition States.....	137
vparstatus Output Examples.....	138
vparstatus: Summary Information.....	139
vparstatus: Verbose Information.....	140
vparstatus: Available Resources.....	142
vparstatus: CPU Information on vPars A.04/A.05.....	144
vparstatus: Dual-Core CPUs.....	146
vparstatus: Pending Migrating CPUs Operations.....	147
vparstatus: Pending Migrating Memory Operations.....	148
vparstatus: Base and Float Memory Amounts.....	149
vparstatus: Pending nPartition Reboot for Reconfiguration.....	150
vparstatus: vPars Monitor and Database Information.....	151
Managing: Creating a Virtual Partition.....	151
Managing: Removing a Virtual Partition.....	152
Managing: Modifying Attributes of a Virtual Partition.....	153
Booting a Virtual Partition.....	154
Shutting Down or Rebooting a Virtual Partition.....	154
When to Shutdown All Virtual Partitions.....	156
Shutting Down or Rebooting the nPartition (Or Rebooting the vPars Monitor).....	156
Setboot and System-wide Stable Storage	157
Using Primary and Alternate Boot Paths.....	158
Autoboot and Autosearch Attributes.....	158
Setting the Primary or Alternate Boot Paths.....	160
Using Primary and Alternate Paths with nPartitions.....	161
Original Status:.....	161
Changing the Virtual Partition's Path (vPars Partition Database).....	161
Changing the nPartition's Path (Complex Profile Data).....	162
Booting Using the Primary or Alternate Boot Paths.....	163
Autoboot.....	163
The AUTO File on a Virtual Partition.....	163
Autobooting the vPars Monitor and Virtual Partitions.....	165
Single-User Mode.....	166
Example: A Hung Partition.....	166
Other Boot Modes.....	167
Maintenance Mode.....	167
Overriding Quorum.....	168
Changing the LVM Boot Device Hardware Path for a Virtual Partition.....	168
Verification.....	168
Preparation.....	169
Change the boot device hardware path.....	169
Boot into LVM maintenance mode.....	169

LVM maintenance mode steps.....	169
Resetting a Virtual Partition.....	170
Hard Reset.....	170
Soft Reset.....	170
Using an Alternate Partition Database File	171
Example.....	171
Managing Resources With Only One Virtual Partition.....	173
6 CPU, Memory, and I/O Resources (A.05.xx).....	175
I/O: Topics.....	175
I/O: Concepts and Functionality.....	176
System, Cells, SBA, LBA, Devices and Relationships.....	176
I/O: Adding or Deleting LBAs.....	178
I/O Syntax in Brief.....	178
Examples.....	179
I/O: Allocation Notes.....	180
Memory: Topics.....	181
Memory: Concepts and Functionality.....	182
Definitions for Assigning (Adding) Or Deleting ILM or CLM Memory.....	182
Definitions for Dynamically Migrating ILM or CLM Memory	182
Syntax for Assigning (Adding) and Deleting Base and Float Memory.....	183
Performance Note for Base versus Float Memory Amounts.....	184
Advanced Topic: Granularity.....	185
Memory: Assigning (Adding) or Deleting by Size (ILM).....	186
Syntax.....	186
Examples.....	186
Memory: Assigning (Adding) Or Deleting by Size (CLM).....	186
Memory: Assigning (Adding) Or Deleting by Address Range.....	188
2 GB Restriction (PA-RISC only).....	188
Memory: Available and Assigned Amounts.....	189
vparstatus: Available ILM and CLM Memory	189
vparstatus: Base and Float Memory Amounts.....	189
Memory: Converting Base Memory to Float Memory.....	190
Memory: Granularity Concepts	191
Granularity Value Locations.....	191
Memory: Granularity Issues (Integrity and PA-RISC).....	192
Memory: Setting the Granularity Values (Integrity).....	193
Syntax.....	193
Commands.....	193
vparenv.....	193
vparcreate.....	194
Usage Scenarios.....	194
Memory: Setting the Granularity Values (PA-RISC).....	196
Syntax.....	196
Commands.....	196
vparcreate.....	196
Usage Scenario.....	196
Memory: Notes on vPars Syntax, Rules, and Output.....	196
Memory: CLI Rules for Dynamic Migration of Memory.....	196
Memory: Allocation Unit Notes.....	197
CPU: Topics.....	197
CPU: Concepts and Functionality.....	198
CPUs: Definitions for CPUs.....	198
CPU: Specifying Min and Max Limits.....	199

CPU: Adding and Deleting by Total.....	199
vparcreate.....	200
vparmodify.....	200
CPU: Adding or Deleting by CLP (Cell Local Processor).....	202
CPU: Adding or Deleting by Hardware Path.....	202
Using both the Hardware Path Specification and CLP specification.....	203
CPU: Notes on vPars Syntax, Rules, and Output.....	203
CPU: CLI Rules for Dynamic Migration of Memory and CPU.....	203
CPU: Deleting CPUs Summary.....	204
CPU: vparstatus.....	204
CPU: Counts Summary.....	204
CPU: Dual-Core Processors.....	205
Determining If the System Has Dual-Core Processors.....	205
Determining Sibling CPUs.....	206
CPU: Hyperthreading ON/OFF (HT ON/OFF).....	207
CPUs: Managing I/O Interrupts.....	208
intctl Command.....	208
Notes.....	208
CPU: CPU Monitor (Formerly Known As LPMC Monitor).....	209
Memory, CPU: Canceling Pending Operations.....	210
Status: Pending.....	210
Cancel Pending Usage.....	211
7 CPU, Memory, and I/O Resources (A.04.xx).....	213
I/O: Concepts.....	213
Acronyms.....	213
System, Cells, SBA, LBA, Devices and Relationships.....	213
I/O: Adding or Deleting LBAs.....	215
I/O Syntax in Brief.....	215
Examples.....	216
I/O: Allocation Notes.....	217
Memory: Concepts and Functionality.....	218
Acronyms.....	218
Assignments.....	218
Granularity.....	218
Memory: Assigning by Size (ILM).....	219
Syntax.....	219
Examples.....	219
Memory: Assigning by Size (CLM).....	219
Memory: Specifying Address Range.....	221
2 GB Restriction (PA-RISC only).....	221
Memory: Granularity Concepts.....	222
Granularity Value Locations.....	222
Granularity Issues (Integrity and PA-RISC).....	223
Granularity described in <i>vparresources(5)</i>	223
Memory: Choosing a Granularity Value and Boot Time (Integrity).....	225
The Goal.....	225
Memory: Setting the Granularity Values (Integrity).....	227
Syntax.....	227
Commands.....	227
vparenv.....	227
vparcreate.....	227
Usage Scenarios.....	228
Memory: Setting the Granularity Values (PA-RISC).....	229

Syntax.....	229
Commands.....	229
vparcreate.....	229
Usage Scenario.....	229
Memory: Allocation Notes.....	230
CPU.....	230
CPU: Boot Processor and Dynamic CPU Definitions	231
CPU: Specifying Min and Max Limits.....	232
CPU: Adding and Deleting by Total.....	232
vparcreate.....	233
vparmodify.....	233
CPU: Adding or Deleting by CLP (Cell Local Processor).....	235
CPU: Adding or Deleting by Hardware Path.....	235
Using both the Hardware Path Specification and CLP specification.....	236
CPU: Syntax, Rules, and Notes.....	236
vparstatus.....	236
Counts Summary.....	236
Deleting CPUs Summary.....	237
Managing I/O Interrupts.....	237
intctl Command.....	237
Notes.....	237
CPU: Using iCAP (Instant Capacity on Demand) with vPars (vPars A.04.xx and iCAP B.07).....	237
Purchasing Licenses for iCAP CPUs.....	237
Activating and Deactivating CPUs.....	238
Assigning and Unassigning CPUs.....	238
Intended Active Boundary.....	238
CPU: Dual-Core Processors.....	240
Determining If the System Has Dual-Core Processors.....	240
Determining Sibling CPUs.....	241
CPU: CPU Monitor (Formerly Known As LPMC Monitor).....	243
8 CPU, Memory, and I/O Resources (A.03.xx).....	245
I/O: Concepts.....	245
Acronyms.....	245
System, Cells, SBA, LBA, Devices and Relationships.....	245
I/O: Adding or Deleting LBAs.....	247
I/O Syntax in Brief.....	247
Examples.....	248
I/O: Allocation Notes.....	249
Memory: Concepts and Functionality.....	250
Acronyms.....	250
Assignments.....	250
Memory: Assigning by Size (ILM).....	251
Syntax.....	251
Examples.....	251
Memory: Specifying Address Range.....	252
2 GB Restriction.....	252
Memory: Allocation Concepts and Notes.....	253
CPU.....	253
CPU: Specifying Min and Max Limits.....	254
CPU: Bound and Unbound.....	255
Definitions.....	255
CPU: Determining Whether to Use Bound or Unbound.....	255
CPU: Determining When to Specify a Hardware Path for a Bound CPU.....	255

CPU: Adding and Removing Bound CPUs	256
CPU Allocation Syntax In Brief.....	256
Syntax for vparcreate.....	256
Note on vparmodify Syntax.....	256
CPU: Adding a CPU as a Bound CPU	257
Choosing the Hardware Path of a Bound CPU.....	257
CPU: Removing a Bound CPU.....	257
CPU: Removing a CPU with a Specified Hardware Path.....	258
CPU: Adding, Removing, and Migrating Unbound CPUs.....	259
CPU: Managing I/O Interrupts.....	259
intctl Command.....	260
Notes.....	260
CPU: Dual-Core Processors.....	261
Determining If the System Has Dual-Core Processors.....	261
Determining Sibling CPUs.....	262
CPU: CPU Monitor (Formerly Known As LPMC Monitor).....	264
9 nPartition Operations.....	265
Basic Conceptual Points on using vPars within nPartitions.....	265
nPartition Information.....	265
Setting Hyperthreading (HT ON/OFF) and cpuconfig Primer.....	266
vPars Monitor.....	266
cpuconfig.....	266
Rebooting and Reconfiguring Conceptual Points.....	268
Reconfiguring the nPartition.....	268
Reconfiguring an nPartition (Integrity).....	269
From nPars mode:.....	269
From vPars mode:.....	269
Reconfiguring an nPartition (PA-RISC).....	270
Putting an nPartition into an Inactive State and Other GSP Operations.....	271
Configuring CLM for an nPartition.....	272
parmodify syntax.....	272
Example.....	272
Configuring CLM Notes.....	272
10 Crash Processing and Recovery.....	277
Crash Processing.....	277
Crash User Interface.....	277
Directory Location and Filenames.....	278
vPars Monitor Dump Analysis Tool.....	278
Kernel Dumps.....	278
Network and Tape Recovery.....	279
Using make_net_recovery within a vPars Environment.....	281
Archiving Virtual Partition.....	281
Recovering a Virtual Partition from a Running Virtual Partition	281
Recovering All the Virtual Partitions of a Hard Partition.....	281
Using make_tape_recovery Outside of a vPars Environment.....	283
Assumptions.....	283
Archiving and Recovering a Virtual Partition.....	284
Archiving the Virtual Partition(s).....	284
Recovering the Virtual Partition(s).....	284
Archiving and Recovering a Virtual Partition Using Another Virtual Partition as the Ignite-UX Server.....	286

Archiving the Virtual Partitions Using a Virtual Partition as the Ignite-UX Server.....	286
Recovering the Virtual Partitions Using one of the Virtual Partitions as the Ignite-UX Server.....	286
Using <code>make_tape_recovery</code> and Dual-media Boot.....	287
Setting Up a Disk for Dual-Media Recovery.....	287
Recovering the Virtual Partition.....	287
Using <code>make_tape_recovery</code> within a vPars Environment.....	289
Requirements and the <code>BOOT</code> Attribute.....	289
Archiving.....	289
Recovering.....	289
Expert Recovery.....	290
11 vPars Flexible Administrative Capability.....	291
Synopsis.....	291
Terms and Definitions.....	292
Flexible Administrative Capability Commands.....	294
<code>monadmin</code>	294
Basic Syntax and Usage.....	294
<code>vparadmin</code>	295
Basic Syntax and Usage.....	296
Persistence across vPars Monitor Reboots.....	296
vPars Commands.....	297
Example vPars Monitor Scenario (<code>monadmin</code>).....	297
Turning On The Flexible Administrative Capability Feature.....	298
Adding Virtual Partitions to the Designated-admin Virtual Partition List.....	298
Example HP-UX Shell Scenario (<code>vparadmin</code>).....	298
A Command Successfully Executed.....	298
A Command Not Executed Due to the Flexible Administrative Capability Feature.....	298
Adding a Virtual Partition to the Designated-admin Virtual Partition List.....	299
Deleting a Virtual Partition to the Designated-admin Virtual Partition List.....	299
Listing the Virtual Partitions in the Designated-admin Virtual Partition List.....	299
Changing the Flexible Administrative Capability Password.....	299
Determining whether Flexible Administrative Capability is ON or OFF	299
12 Virtual Partition Manager (A.03.xx).....	301
About the Virtual Partition Manager (<code>vparmgr</code>).....	301
Starting the Virtual Partition Manager.....	302
Options.....	302
Using the vPars Graphical User Interface (GUI).....	302
Stopping the Virtual Partition Manager.....	303
A LBA Hardware Path to Physical I/O Slot Correspondence (PA-RISC only).....	305
<code>rp5470/L3000</code> I/O Block Diagram.....	305
<code>rp7400/N4000</code> I/O Block Diagram.....	306
<code>rp7410</code> and <code>rp7405</code> PCI I/O Block Diagram.....	306
<code>rp8400</code> PCI I/O Block Diagram.....	307
Superdome (SD16000, SD32000, SD64000) PCI I/O Block Diagram.....	307
B Problem with Adding Unbound CPUs to a Virtual Partition (A.03.xx).....	309
Symptoms.....	309
Cause.....	309
Example.....	309

Create the Virtual Partitions.....	309
Boot the Virtual Partitions.....	309
Create A Fourth Virtual Partition.....	310
Remove a Virtual Partition.....	310
Problem is Encountered.....	310
The Workaround: Reboot the Target Virtual Partition.....	311
C Calculating the Size of Kernels in Memory (PA-RISC only).....	313
Calculating the Size of a Kernel.....	313
Examples of Using the Calculations.....	313
Changing Dynamic Tunables.....	313
Migrating OSs from non-vPars Servers to a vPars Server.....	313
D Memory Usage with vPars in nPartitions.....	315
nPartition Firmware	315
Firmware Partitions (fPars).....	315
vPars Monitor.....	315
Example System.....	315
E Moving from a Standalone to vPars.....	317
F Supported Configurations for Memory Migration.....	319
Glossary.....	321
Index.....	323

List of Figures

1-1	vPars Conceptual Diagram.....	17
1-2	Superdome Cabinet.....	18
2-1	Server without vPars.....	27
2-2	Software Stack of Server without vPars.....	28
2-3	Server Block Diagram with Two Virtual Partitions.....	28
2-4	Software Stack for Server with Two Virtual Partitions.....	29
4-1	Overview of Update Process for Mixed HP-UX 11i v1/v2 vPars Environment.....	82
6-1	System to I/O Device Relationship.....	176
6-2	LBA Owns Multiple I/O Devices.....	176
6-3	vPars Allocates I/O at the LBA Level.....	176
6-4	vPars Allocates at LBA Level not SBA Level.....	177
6-5	vPars Allocates at LBA Level not SBA Level.....	177
6-6	vPars Allocates at LBA Level not Cell Level.....	178
6-7	Using Partition Manager to Determine Dual-Core Processors.....	206
7-1	System to I/O Device Relationship.....	213
7-2	LBA Owns Multiple I/O Devices.....	213
7-3	vPars Allocates I/O at the LBA Level.....	213
7-4	vPars Allocates at LBA Level not SBA Level.....	214
7-5	vPars Allocates at LBA Level not SBA Level.....	214
7-6	vPars Allocates at LBA Level not Cell Level.....	215
7-7	Using Partition Manager to Determine Dual-Core Processors.....	241
8-1	System to I/O Device Relationship.....	245
8-2	LBA Owns Multiple I/O Devices.....	245
8-3	vPars Allocates I/O at the LBA Level.....	245
8-4	vPars Allocates at LBA Level not SBA Level.....	246
8-5	vPars Allocates at LBA Level not SBA Level.....	246
8-6	vPars Allocates at LBA Level not Cell Level.....	247
8-7	Using Partition Manager to Determine Dual-Core Processors.....	262
12-1	vPars GUI Status Screen.....	302
A-1	rp5470/L3000 I/O Hardware Paths.....	305
A-2	rp7400/N4000 I/O Hardware Paths.....	306
A-3	rp7410 and rp7405 I/O Hardware Paths.....	306
A-4	rp8400 I/O Hardware Paths.....	307
A-5	Superdome (SD16000, SD32000, SD64000) I/O Hardware Paths.....	307

List of Tables

2-1	PA-RISC and Integrity Differences.....	39
2-2	Differences Among vPars Versions.....	40
2-3	To Migrate the Resource, the Target Virtual Partition State must be.....	42
2-4	Dynamic Migration.....	42
2-5	CPU Syntax from A.03.xx to A.04.xx/A.05.xx.....	43
2-6	CPU Rules from A.03.xx to A.04.xx/A.05.xx.....	43
3-1	Mixed HP-UX 11i v1/v2 vPars Environment.....	58
3-2	Mixed HP-UX 11i v1/v2 vPars Feature Summary.....	60
3-3	Mixed HP-UX 11i v2/v3 vPars Environment.....	60
3-4	Mixed HP-UX 11i v2/v3 vPars Environment Feature Summary.....	62
3-5	Boot Attempts and Result.....	62
3-6	Mixed HP-UX 11i v1/v2/v3 vPars Environment.....	63
3-7	Mixed HP-UX 11i v1/v2/v3 vPars Environment Feature Summary.....	65
4-1	rx7620 to rx7640 Hardware Path Changes	111
4-2	rx8620 to rx8640 Hardware Path Changes	111
4-3	Integrity Superdome Hardware Path Changes (<i>x=cell</i>).....	111
4-4	rp7420 to rp7440 Hardware Path Changes	112
4-5	rp8420 to rp8440 Hardware Path Changes	113
4-6	HP 9000 Superdome Hardware Path Changes (<i>x=cell</i>).....	113
5-1	vparconfig versus parconfig.....	124
5-2	Virtual Partition States.....	137
5-3	possible commands to arrive at vparstatus output.....	144
5-4	possible commands to arrive at vparstatus output.....	145
5-5	Boot Attempt Results of the autoboot and autosearch Values.....	159
6-1	Allowed Memory Migration Operations.....	183
6-2	Values for the Status field.....	211
10-1	Supported Recovery methods by vPars Release.....	279
11-1	Flexible Administrative Capability Impact on vPars Commands.....	297
F-1	Minimum Base Memory Requirements.....	319

About This Document

Intended Audience This document is written for system administrators to help them learn and manage the product HP-UX Virtual Partitions (vPars) on HP-UX 11i v1, 11i v2, and 11i v3.

Where to Get the Latest Version of This Document New information may have been developed after the time of this publication. For the most current information, see the vPars areas of the HP Technical Documentation website:

vPars A.03.xx and earlier on HP-UX 11i v1 <http://docs.hp.com/hpux/11i/index.html#Virtual%20Partitions>

vPars A.04.xx on HP-UX 11i v2 <http://docs.hp.com/hpux/11iv2/index.html#Virtual%20Partitions>

vPars A.05.xx on HP-UX 11i v3 <http://docs.hp.com/hpux/11iv3/index.html#Virtual%20Partitions>

Publication History

The manual publication date and part number indicate its current edition. The publication date will change when a new edition is released. The manual part number will change when extensive changes are made. To ensure that you receive the new editions, you should subscribe to the appropriate product support service. See your HP sales representative for details.

- Edition 16: September 2008, T1335-90098. Includes vPars A.05.04 on HP-UX 11i v3 and vPars A.04.06 on HP-UX 11i v2.
- Edition 15.1: April 2008, T1335-90092. Includes details about vPars A.04.05 support for SAS disks (patch PHSS_37829).
- Edition 15: March 2008, T1335-90092. Includes vPars A.05.03 on HP-UX 11i v3.
- Edition 14: December 2007, T1335-90083. Includes vPars A.03.05 on HP-UX 11i v1 and vPars A.04.05 on HP-UX 11i v2.
- Edition 13: September 2007, T1335-90078. Includes vPars version A.05.02 on HP-UX 11i v3.
- Edition 12: June 2007, T1335-90073. Includes vPars version A.04.04 on HP-UX 11i v2.
- Edition 11: March 2007, T1335-90068. Includes vPars version A.03.04 on HP-UX 11i v1.
- Edition 10: February 2007, T1335-90063. Includes vPars version A.05.01 on HP-UX 11i v3.
- Edition 9: September 2006, T1335-90051. Includes vPars version A.04.03 on HP-UX 11i v2.
- Edition 8: March 2006, T1335-90051. Includes vPars version A.04.02 on HP-UX 11i v2.
- Edition 7: October 2005 and January 2006 Update, T1335-90041. Includes vPars version A.03.03 on HP-UX 11i v1.
- Edition 6: July 2005 and September 2005 Update, T1335-90038 (includes vPars version A.04.01 on HP-UX 11i v2)
- Edition 5: December 2004, T1335-90031. Includes vPars version A.03.02 on HP-UX 11i v1.
- Edition 4: April 2004, T1335-90027. Includes vPars version A.03.01 on HP-UX 11i v1.
- Edition 3: November 2002, T1335-90018. Includes vPars version A.02.02 and A.02.03 on HP-UX 11i v1.
- Edition 2: June 2002, T1335-90012. Includes vPars version A.02.01 on HP-UX 11i v1.
- Edition 1: November 2001, T1335-90001. Includes vPars version A.01.01 on HP-UX 11i v1.

1 Introduction

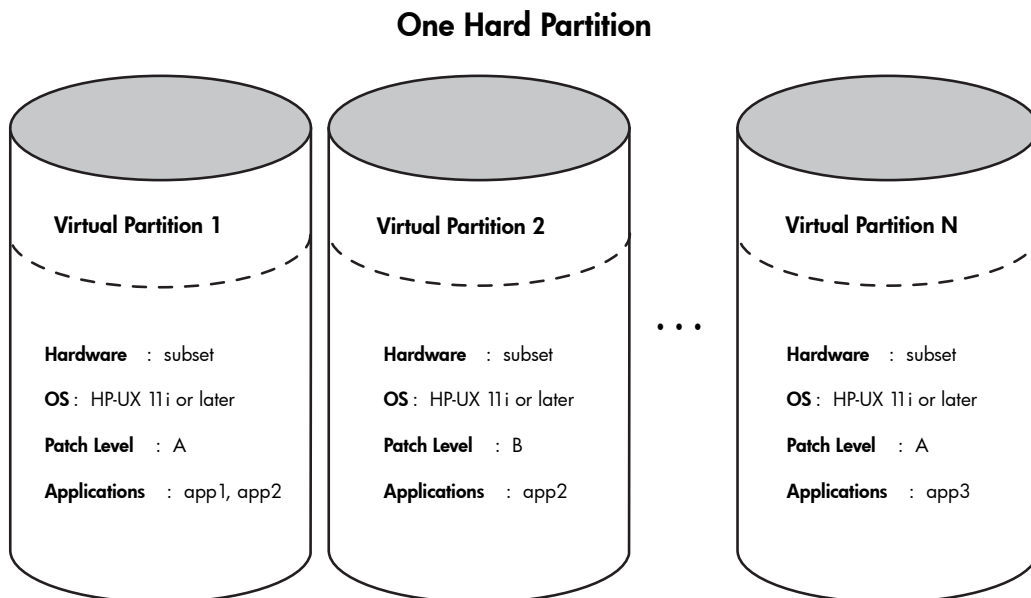
This chapter covers:

- What Is vPars?
- Why Use vPars?
- Supported Environments
- Product Interaction
- Ordering vPars

What Is vPars?

vPars is a Virtual Partitions product that enables you to run multiple instances of HP-UX simultaneously on one hard partition by dividing that hard partition further into *virtual partitions*. Each virtual partition is assigned its own subset of hardware, runs a separate instance of HP-UX, and hosts its own set of applications. Because each instance of HP-UX is isolated from all other instances, vPars provides application and Operating System (OS) fault isolation. Each instance of HP-UX can have different patches and a different kernel.

Figure 1-1 vPars Conceptual Diagram





NOTE:

Definitions

This document uses the following definitions when discussing virtual partitions, nPartitions, and hard partitions:

A *complex* is the entire partitionable server, including both cabinets, all cells, I/O chassis, cables, and power and utility components.

A *cabinet* is the Superdome hardware “box”, which contains the cells, Guardian Service Processor (GSP), internal I/O chassis, I/O fans, cabinet fans, and power supplies. A complex has up to two cabinets.

Figure 1-2 Superdome Cabinet



A *hard partition* is any isolated hardware environment, such as an nPartition within a Superdome complex or an entire rp7400/N4000 server.

An *nPartition* is a subset of a complex that divides the complex into groups of cell boards where each group operates independently of other groups. An nPartition can run a single instance of HP-UX or be further divided into virtual partitions.

A *virtual partition* is a software partition of a hard partition that contains an instance of HP-UX. Though a hard partition can contain multiple virtual partitions, a virtual partition cannot span a hard partition boundary.

Product Features

- A single hard partition can be divided into multiple virtual partitions.
- Each virtual partition runs its own instance of HP-UX. Therefore, a single hard partition can contain multiple virtual partitions, and each virtual partition has a separate instance of HP-UX running different applications (or the same applications) at the same time without conflicts.
- Each virtual partition is assigned its own resources (cores, memory, and I/O), so there are no resource conflicts between virtual partitions.
- Virtual partitions can have different OS releases and patch levels.
- Virtual partitions can be individually reconfigured and rebooted (for patches and other changes that require a reboot).
- Users on one virtual partition cannot access files or file systems on other partitions unless the file systems are NFS-mounted, or access is otherwise given through networking or for cluster-aware volume groups used within ServiceGuard. Further, users configured on one virtual partition do not automatically have access on any other partition.

- Software-related kernel panics ¹, resource exhaustion failures, and reboots in one virtual partition do not affect any other virtual partition.
- Processing resources and memory available at boot time can be added to or removed from a virtual partition without rebooting.

Why Use vPars?

The following are some of the advantages of using vPars. Note that some of these features, such as dynamic memory migration, are only available in more recent releases.

vPars Increases Server Utilization and Isolates OS and Application Faults

In certain environments, one entire server is dedicated to a single application. When demand for that application is not at peak, such as during non-business hours, the server is underutilized. If many servers are configured this way, you have many servers that are being underutilized. You can minimize investment and operational costs by consolidating servers and running multiple applications on one server; however, this leaves all applications vulnerable to problems if any one application or its single OS has problems.

vPars provides a software-based solution that supports isolating an OS and its applications within virtual partitions; thus, OS or application problems in one virtual partition do not affect the OS or applications running in other partitions.

vPars also allows consolidation of underutilized servers into one faster server where applications are not permitted to affect one another, such as an ISP running many small e-services application servers.

vPars Provides Flexibility Through Multiple but Independent OS Instances

vPars offers flexibility by allowing different HP-UX instances, OS Releases, and patch levels to run on the same server.

vPars Provides Flexibility Through Dynamic Processing Core and Memory Migration

vPars enables you to reassign processing resources and memory from one virtual partition to another without rebooting.

Processing cores and memory can be moved between two virtual partitions that have different resource utilization peak times. For example, a transaction server used primarily during business hours can have a portion of its cores and memory reassigned overnight to a report server. Such reassignments can be automated, for example, via a cron job.

Because vPars assigns specific hardware resources to specific virtual partitions, a user on the transaction server at night is not affected by the processing power consumption of a report server. A virtual partition uses only the cores and memory that you assign to it; cores are not time-sliced across virtual partitions.

Supported Environments

This section has been moved to the *HP-UX Virtual Partitions Ordering and Configuration Guide*, which is available at:

<http://docs.hp.com/en/vse.html#Virtual%20Partitions>

HP Product Interaction

- **Processor Terminology** Processing resources under vPars, both as input arguments and command outputs, are described as “CPUs.” For multi-core processors such as the PA-8800 and dual-core Intel Itanium processors, the term “CPU” is synonymous with “core.” The term “processor” refers to the hardware component that plugs into a processor socket.

1. Unless the vPars software product itself panics.

Therefore a single processor can have more than one core, and vPars commands will refer to the separate cores as distinct “CPUs,” each with its own hardware path.

Two vPars terms pre-date multi-core processors, so they are exceptions to this terminology:

- “boot processor”, which refers to the CPU (that is, core) on which the OS kernel of the virtual partition was booted, and
- “cell local processor (CLP),” which refers to a CPU on a specified cell.

For more information on dual-core processors, see “CPU: Dual-Core Processors” (page 205).

- **Hyperthreading** Hyperthreading is a new feature supported in HP-UX 11i v3 (11.31) environments on servers with the dual-core Intel Itanium processors. It provides for executing multiple threads on a single processor core; each thread is abstracted as a “logical CPU” (LCPU). In vPars A.05.xx, you can enable and disable hyperthreading with the vPars Monitor; however, in a mixed HP-UX 11i v2/v3 vPars environment, any virtual partitions running vPars A.04.xx/11.23 will not boot unless hyperthreading is disabled. For more information on hyperthreading, see “CPU: Hyperthreading ON/OFF (HT ON/OFF)” (page 207) and “Setting Hyperthreading (HT ON/OFF) and `cpuconfig` Primer” (page 266).

CPUs are assigned to virtual partitions on a core basis, and not on a logical CPU (LCPU) basis.

- **asyncdsk driver** Many applications, such as databases, use the `asyncdsk` driver to lock down memory for I/O transfers. As of this writing, the `asyncdsk` driver does not support memory deletion. As a result, if the driver has locked down any float memory, then that portion of memory cannot be deleted from a virtual partition.

See the most recent version of the *HP-UX Virtual Partitions Release Notes* for more information.

- **PCI On-Line Addition and Replacement (OLAR)** Except for the functions stated below, OL* for PCI slots works the same on a vPars server as it does on a non-vPars server. Note that you can execute PCI OL* functions only on the PCI slots that the virtual partition owns.

PCI doorbells (the physical attention button on the system) are supported beginning with the HP-UX December 2003 HWE release and vPars A.03.01.

(PA-RISC only) In a vPars system, a reboot of the virtual partition does not power on a slot that was powered off prior to the reboot. If you wish to power on the slot, you need to do this manually after the reboot using the `rad` command: `rad -i slot_id`.

For information on the use of PCI Card OLAR features on HP-UX 11i v1 (11.11) see *Configuring HP-UX For Peripherals: HP 9000 Computers* at the HP Technical Documentation website:

<http://docs.hp.com/en/oshpux11i.html#System%20Administration>

For information on the use of PCI Card OLAR features on HP-UX 11i v2 (11.23) or HP-UX 11i v3 (11.31) see the *Interface Card OL* Support Guide* at the HP Technical Documentation website:

<http://docs.hp.com/en/ha.html#System%20Administration>

The PCI OL* error recovery features that are supported in 11.31 are also supported within a vPars environment. For complete information on PCI OL* error recovery, see the following documents available at the HP Technical Documentation website (<http://docs.hp.com>):

- *PCI Error Recovery Product Note*
- *PCI Error Recovery Support Matrix*

- **Support Tools** For information on the required version of the Support Tools package that can run on your vPars server, see the section on Online Diagnostics in the *HP-UX Virtual Partitions Ordering and Configuration Guide*.

Prior to STM version A.43.00 (December 2003), in a vPars environment if the LPMC (Low Priority Machine Check) Monitor (now known as CPU Monitor) of the Support Tools bundle

deactivates a processor, it does not automatically replace the failing processor with an iCAP (formerly known as iCOD) processor. The processor replacement must be performed manually using the `icod_modify` command. For more information, see the *Instant Capacity User's Guide*.

Beginning with STM version A.43.00, in a vPars environment, the LPMC monitor automatically replaces a failing processor with an iCAP processor if an iCAP processor is available.

CAUTION: CPU Expert Tool is supported on vPars servers. However, using this on vPars servers may cause unpredictable results. For complete information on using the Support Tools with vPars, see the following Support Tools document:
http://docs.hp.com/hpux/onlinedocs/diag/stm/stm_vpar.htm

- **CSTM's CPU Info Tool** With STM version A.43.00, the CSTM's `cpu info` tool will show information about the bound CPUs assigned to that partition and unbound CPUs not assigned to any partition. For unbound CPUs assigned to other partitions, it shows N/A.

With STM version C.48.00 (HWE0505) and later, the CSTM's `cpu info` tool will show information about all the CPUs that are assigned to the current partition.

When using CSTM's `info` command, information is shown only for the CPUs that are currently owned by the virtual partition from which the `info` command is run. For CPUs which are not assigned to the virtual partition, the information is displayed as N/A.

- **ODE Diagnostic and I/O Card Utilities (Integrity Only)** ODE diagnostics utilities, such as CEC, CPU, or MEM, do not operate in vPars mode. Also, the I/O card and diagnostic utilities, such as FCFUPDATE and IODIAG. `efi`, do not operate in vPars mode.

You must boot the nPartition into nPars mode to operate these utilities.

For more information on modes, see "Modes: Switching between nPars and vPars Modes (Integrity Only)" (page 122)

- **Ignite-UX**

- Making Depots for Ignite-UX:

For information on where to find a "cookbook" for setting up your Ignite-UX server for use with vPars, see "Setting Up the Ignite-UX Server" (page 73).

- Reading the CPU counts from Ignite-UX (vPars A.03.xx and earlier):

When Ignite-UX reports the Total Number of CPUs for a partition, it includes unassigned, unbound CPUs in the count. For information on bound and unbound CPUs, see "CPU: Bound and Unbound" (page 255).

For example, if you have three virtual partitions, each with one bound CPU, and two unbound CPUs not assigned to any of the partitions, this is a total of five CPUs in the server. Ignite-UX will report three CPUs (one bound and two unbound CPUs) for *each* partition. The data on unbound CPUs is repeated for each virtual partition. Therefore, adding up the numbers results in a total of nine CPUs for the server when there are actually only five physical CPUs.

- **(PA-RISC only) The `WINSTALL` Boot Kernel Paths with Different Versions of Ignite-UX and the `vparboot -I` command** The examples in this document use the Ignite-UX bootable kernel `WINSTALL` path as:

- `/opt/ignite/boot/WINSTALL`

This is the correct path for Ignite-UX versions B.05.xx and earlier. However, if you are using Ignite-UX version C.06.xx or later, the `WINSTALL` path has changed to:

- /opt/ignite/boot/Rel_B.11.NN/?INSTALL
- ◦ where *NN* completes the HP-UX version and where ? is W for PA-RISC systems
- For example, if vPars is using HP-UX 11i v2 (11.23) instances on a PA-RISC server with Ignite-UX version C.06.xx, the path is:
 - /opt/ignite/boot/Rel_B.11.23/WINSTALL

Thus, if you are using HP-UX 11i v2 (11.23) on a PA-RISC server and

- Ignite-UX version B.05.xx or earlier:

you should specify /opt/ignite/boot/WINSTALL on the command line (/opt/ignite/boot is the default); for example

```
# vparboot -p <target_partition> -I <ignite_server>,/opt/ignite/boot/WINSTALL
```

- Ignite-UX version C.06.xx or later:

you must specify the absolute path /opt/ignite/boot/Rel_B.11.23/WINSTALL on the command line (because /opt/ignite/boot is the default); for example

```
# vparboot -p <target_partition> -I <ignite_server>,/opt/ignite/boot/Rel_B.11.23/WINSTALL
```

- **Ignite-UX Recovery and Expert Recovery** Beginning with vPars A.02.03, the creation of `make_tape_recovery` tapes is supported on vPars-enabled servers. However, there are limitations:
 - (PA-RISC Only) Recovery using tapes *within* the vPars environment is supported beginning vPars A.03.03, A.04.03, and A.05.01. See “Using `make_tape_recovery` within a vPars Environment” (page 289) for more information.
 - (Integrity Only) Recovery using tapes *within* the vPars environment is supported on HP Integrity servers beginning vPars A.04.04, and A.05.02. See “Using `make_tape_recovery` within a vPars Environment” (page 289) for more information.
 - If you are using an earlier release of vPars, you must perform recoveries using `make_tape_recovery` tapes outside of the vPars environment. For example, the tape cannot be used with the `vparboot -I` command. See “Using `make_tape_recovery` Outside of a vPars Environment” (page 283) for a sample disaster recovery recipe that uses `make_tape_recovery`.

Ignite-UX Recovery via `make_net_recovery` requires additional steps as noted in “Network and Tape Recovery” (page 279).

Expert recovery works as documented in the Ignite-UX manual; however, you must account for the vPars differences described in “Expert Recovery” (page 290).

For more information on using tape devices, see also the *Booting, Installing, Recovery, and Sharing in a vPars Environment from DVD/CDROM/TAPE/Network* white paper available at:

<http://docs.hp.com/en/vse.html#Virtual%20Partitions>

- **Ignite-UX and other Curses Applications** On the virtual console, when using applications that use curses, such as the terminal versions of Ignite-UX and SAM, do *not* press **Ctrl-A** to toggle to the console display window of another virtual partition while you are still within the curses application. This is especially applicable when you are using `vparboot -I` and the Ignite-UX application to install vPars. For more information on curses, see the `curses_intro(3X)` manpage.

As with most curses applications, if you get a garbled display, you can press **Ctrl-L** to refresh the display.

- **ServiceGuard** ServiceGuard is supported with vPars. However, because ServiceGuard is used to guard against hardware failures as well as software failures, its functionality will be reduced if a cluster includes multiple virtual partitions within the same server. Such configurations are not recommended. See the ServiceGuard documentation for more information on running ServiceGuard with vPars.

- UPS (uninterruptible power supply) software** UPS hardware communicates with UPS software via the serial port. By default, a hard partition has only one serial port. For a hard partition that runs vPars, the serial port can be owned by at most one virtual partition. Therefore, on the hard partition, the UPS can communicate with only the virtual partition that owns the serial port.

Alternately, the HP PowerTrust II-MR UPS product can be configured across virtual partitions using network connections, providing all the virtual partitions reside on the same network.
- Processor Sets (vPars A.03.xx and earlier)** You cannot specify a hardware path for an unbound CPU. Therefore, to avoid unintentionally removing unbound CPUs from a non-default pset, initially create the partition that will be running Processor Sets using only bound CPUs. Then, when you add or remove an unbound CPU, the unbound CPU will be added to or removed from only the default pset.
- Glance and Openview Performance Agent (MeasureWare)** For correct reporting of processor utilization, you need to run Glance and MeasureWare versions C.03.35. or higher.
- Real-time clock (RTC)** Fixed in A.03.03 and later, A.04.01 and later:

The vPars Monitor keeps track of the OS time for each virtual partition relative to the real-time clock. The OS time is the time that is changed via the `set_parms` or `date` commands.

However, you can change the real-time clock at the BCH prompt or at the vPars Monitor prompt (`MON>`). If you change the real-time clock, you need to run the vPars Monitor command `toddriфтreset` to reset the drifts relative to the real-time clock. For information on the vPars Monitor commands, see “vPars Monitor: Using vPars Monitor Commands” (page 131).

Booting the machine into standalone mode from a boot disk which had its OS time ahead of the RTC will advance the RTC. If the machine is then booted into a vPars environment, the OS time of all the virtual partitions will be advanced. Administrators should ensure that the RTC is adjusted accordingly before booting the machine from standalone mode into a vPars environment and vice versa.
- SCSI Initiator ID** For vPars A.03.xx and earlier: the SCSI Initiator ID is the ID of the SCSI controller. Although you can display and set SCSI parameters for the SCSI controller at the BCH prompt, you can also set these values on a vPars server from the HP-UX shell of a virtual partition using the vPars command `vparutil`. For more information, see the `vparutil(1M)` manpage.

For vPars A.04.xx and later: use the `mptconfig` command to view or set the SCSI parameters for Ultra320 host bus adapters (HBAs). For information on the `mptconfig` command, see the *HP A7173A PCI-X Dual Channel Ultra320 SCSI Host Bus Adapter Support Guide*. For Ultra2/Ultra160 SCSI HBAs, the SCSI parameters can only be set from the BCH prompt (on PA-RISC) or from the EFI Shell prompt using EFI applications (on Integrity). For information on setting and confirming SCSI parameters for Ultra2/Ultra160 HBAs, see the *HP A6828A PCI Ultra160 SCSI Host Bus Adapter: Service and User Guide*.
- System-wide stable storage and the `setboot` command** On a non-vPars server, the `setboot` command allows you to read from and write to the system-wide stable storage of non-volatile memory. However, on a vPars server, the `setboot` command does not affect stable storage. Instead, it only reads from and writes to the vPars partition database. For more information see “Setboot and System-wide Stable Storage” (page 157).
- mkboot and LIF files** The `mkboot` command allows you to write to files in the LIF area on both Integrity and PA-RISC servers; for example, the `AUTO` file. While on a vPars server, `mkboot` can still be used to write to files in the LIF area. However, the LIF area is not read during the boot of an OS on a virtual partition. Instead, only the information stored in the

vPars partition database is read. (Note that the files in the LIF area are still read when the system or nPartition boots).

To simulate the effect of an AUTO file for a virtual partition, use the vPars commands so that the information is saved in the vPars partition database. For more information, see “The AUTO File on a Virtual Partition” (page 163).

- **shutdown and reboot commands** In a virtual partition, the shutdown and reboot commands shutdown and reboot a virtual partition and *not* the entire nPartition.

Also, if a virtual partition is not set for autoboot using the autoboot attribute (see the *vparmodify(1M)* manpage), the *-r* and *-R* options of the shutdown or reboot commands will only shut down the virtual partition; the virtual partition will *not reboot*. In other words, the virtual partition will halt when the autoboot attribute is not set. For more information, see the *vparmodify(1M)* manpage.

For the *-R* and *-r* options of the shutdown and reboot commands, the virtual partition will not reboot when there is a pending Reboot for Reconfiguration until all the virtual partitions within the nPartition have been shutdown and the vPars Monitor has been rebooted; note that *-R* sets a pending Reboot for Reconfiguration. Also, the requested reconfiguration will not take place until all the virtual partitions within the involved nPartition have been shutdown and the vPars Monitor has been rebooted.

For more information, see “Shutting Down or Rebooting a Virtual Partition” (page 154) and “Shutting Down or Rebooting the nPartition (Or Rebooting the vPars Monitor)” (page 156).

- **ioscan output** On a PA-RISC system, the *ioscan* output for *vcn* and *vcs* drivers show a value of *NO_HW* in the *S/W State* column. On an Integrity server, these drivers do not appear in the *ioscan* output. This is normal.
- **intctl Command** The *intctl* command is an HP-UX tool that enables management of I/O interrupts among the active CPUs. It can be installed from the HP-UX Software Pack but should be used only by advanced administrators for performance tuning. If you are managing interrupts on vPars systems, see the section “Managing I/O Interrupts” (page 237).
- **kernel crash dump analyzer** You cannot use a kernel crash dump analyzer on vPars Monitor dumps because vPars Monitor dumps are structured differently than kernel dumps. For more information on vPars Monitor dumps, see “vPars Monitor Dump Analysis Tool” (page 278).
- **top and other applications that show CPU ID** The CPU ID displayed by the *top* command and other applications may not be indicative of the actual CPU index in standalone or nPars mode, nor of the actual hardware path. Within a virtual partition, *top* sees only the CPUs assigned to it. Possible *top* output is shown below; the CPU index is the left-most column.

CPU	LOAD	USER	NICE	SYS	IDLE	BLOCK	SWAIT	INTR	SSYS
0	0.01	0.0%	0.0%	0.0%	100.0%	0.0%	0.0%	0.0%	0.0%
1	0.00	0.0%	0.0%	0.0%	100.0%	0.0%	0.0%	0.0%	0.0%
2	0.01	0.0%	0.0%	0.0%	100.0%	0.0%	0.0%	0.0%	0.0%
4	0.01	0.0%	0.0%	0.0%	100.0%	0.0%	0.0%	0.0%	0.0%
7	0.01	0.0%	0.0%	0.0%	100.0%	0.0%	0.0%	0.0%	0.0%
8	0.06	0.0%	0.0%	0.0%	100.0%	0.0%	0.0%	0.0%	0.0%
---	---	---	---	---	---	---	---	---	---
avg	0.02	0.0%	0.0%	0.0%	100.0%	0.0%	0.0%	0.0%	0.0%

- **Agile view of Mass Storage** The agile view of mass storage introduced in HP-UX 11i v3 (11.31) is supported with vPars.

Support for agile addressing vPars configurations and operations is provided starting with vPars A.05.03. In the vPars A.05.01 and vPars A.05.02 releases, only the legacy hardware path format is supported.

- The vPars A.05.03 release includes support for the next-generation mass storage subsystem in HP-UX 11i v3 (including agile addressing). In the next-generation mass

storage subsystem, support has been extended to include vPars configurations and operations starting with vPars A.05.03.

Agile addressing support is only provided for lunpath hardware paths, not for LUN hardware paths. Use of LUN hardware paths will result in an error.

Agile addressing is supported only for HP-UX 11iv3 (11.31) releases of vPars, starting with vPars A.05.03. It is not supported by vPars A.05.02 or earlier, vPars A.04.xx on HP-UX 11i v2 (11.23), or vPars A.03.xx on HP-UX 11i v1 (11.11). This restriction also applies to mixed HP-UX 11i v1/v2/v3 vPars environments. Virtual partitions running HP-UX 11i v1 or HP-UX 11i v2 do not support agile addressing.

- In the vPars A.05.01 and vPars A.05.02 releases, the lunpath hardware path format and LUN hardware path format *are not supported* for use on the vPars command line, and vPars commands will only use legacy hardware paths in their output. You must continue to use the legacy hardware path format that existed in previous vPars releases when using the vPars commands; for HP-UX 11i v3 (11.31), `ioscan`'s default output will continue to show the legacy format.

vPars does not affect the use of the agile view with non-vPars commands. Wherever the new formats are supported by other HP-UX commands and tools, you can use these new formats within the virtual partitions running HP-UX 11i v3 (11.31).

vPars does not support disabling legacy mode.

For information on the agile view of mass storage, including the new hardware paths, device special files, and legacy mode, see the white paper *The Next Generation Mass Storage Stack* in the Network and Systems Management section of <http://docs.hp.com>, under Storage Area Management.

- **vMedia Support** vPars A.05.03 and HP-UX support read-only use of optical media via an iLO 2 MP on HP Integrity servers based on the sx2000 chipset, including rx7640, rx8640, and HP Integrity Superdome servers.
 - vPars A.05.03 supports all the standard iLO 2 MP features that are supported by HP-UX, including the Lights Out Advanced features of vMedia. However, vPars does not support virtual keyboard, video, and mouse features.
 - Only one virtual partition at a time can use the Lights Out Advanced features of vMedia. To move the vMedia attachment to a different virtual partition, the path associated with the vMedia card must be reassigned to the other virtual partition.

To launch Ignite-UX via a vMedia DVD drive in vPars mode:

1. Set up a vMedia DVD drive using the Lights Out Advanced vMedia feature.
2. Insert an HP-UX OE DVD (such as the Virtual Server OE and Data Center OE) into the vMedia DVD drive.
3. Assign the path associated with the vMedia card to the target virtual partition.
4. From the vPars Monitor prompt, issue the following `vparload` command to launch Ignite-UX from the HP-UX OE DVD in the vMedia drive:

```
vparload -p targetVpar -D fsIndex
```

- **vPars A.04.05 or later on HP Integrity Platforms with SAS Disks** vPars A.04.05 with patch PHSS_37829, and vPars A.04.06, on HP Integrity platforms supports the use of SAS disks.



NOTE: In certain situations when using vPars with SAS disks on HP Integrity platforms, the `vparstatus -v` and `setboot` commands may show different boot disk paths in vPars mode. This is normal, and is due to the disks being scanned in a different sequence at boot time.

You may see different boot disk paths for SAS disks reported by the `vparstatus -v` and `setboot` commands in vPars mode after booting into nPars mode and then booting back into vPars mode. For example:

- A virtual partition is ignited from a SAS disk and booted in vPars mode, and the `vparstatus -v` command shows the boot disk path as *A*.
- If the system is booted back to nPars mode, the boot path may change to *B*, which is different from *A* due to a different scan order. This would also change the boot path to *B* in the vPars database (`/stand/vpdb`).
- After booting back to vPars mode, `vparstatus -v` for this virtual partition shows *B* as the boot path and `setboot` still shows *A*.

Both boot paths (*A* and *B*) refer to the same SAS disk path.

- **vPars and Dynamic nPartition Operations** Dynamic nPartitions operations cannot be performed to an nPartition that is running Virtual Partitions. For more information on dynamic nPartitions, see the *HP-UX 11i v3 Dynamic nPartitions white paper* at: http://docs.hp.com/en/10907/dynamic_nPars_WP.pdf.

Ordering vPars

For the latest information on ordering vPars, see the *HP-UX Virtual Partitions Release Notes* and the *HP-UX Virtual Partitions Ordering and Configuration Guide*.



NOTE: The free product known as VPARSBASE is obsolete and is no longer available or supported.

2 How vPars and Its Components Work

This chapter covers:

- Partitioning Using vPars
- vPars Monitor and vPars Partition Database
- vPars Boot Sequence
- EFI and Integrity Notes
- Virtual Consoles and Logs
- Security

Partitioning Using vPars

To understand how vPars works, compare it to a server not using vPars. Figure 2-1 shows a 4-way HP-UX server. Without vPars, all hardware resources are dedicated to one instance of HP-UX and the applications that are running on this one instance.

Figure 2-1 Server without vPars

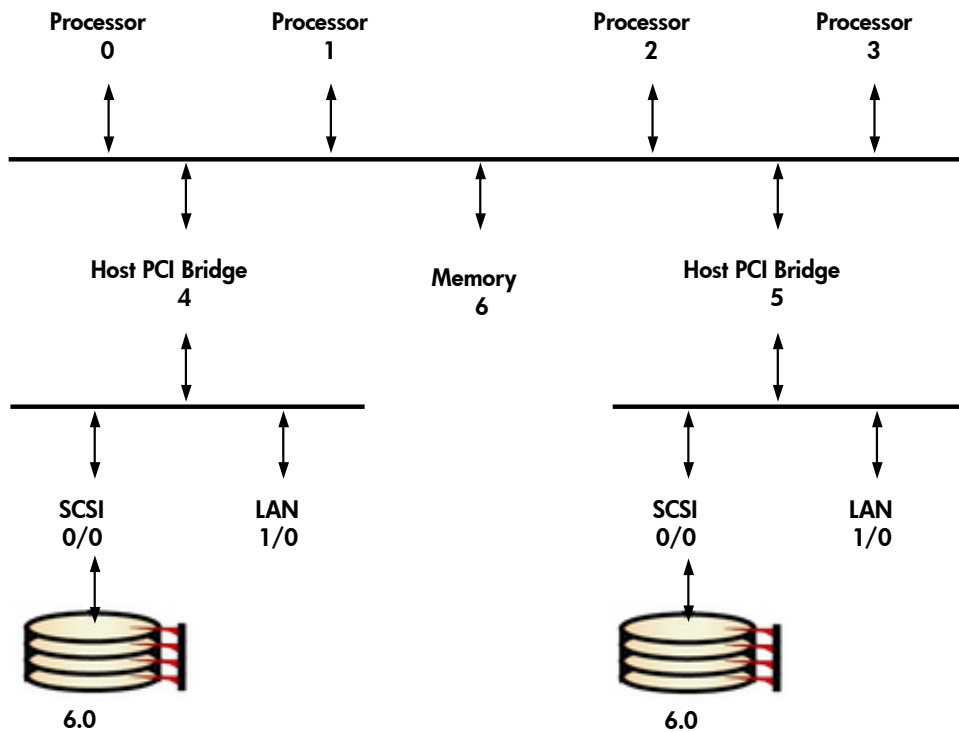
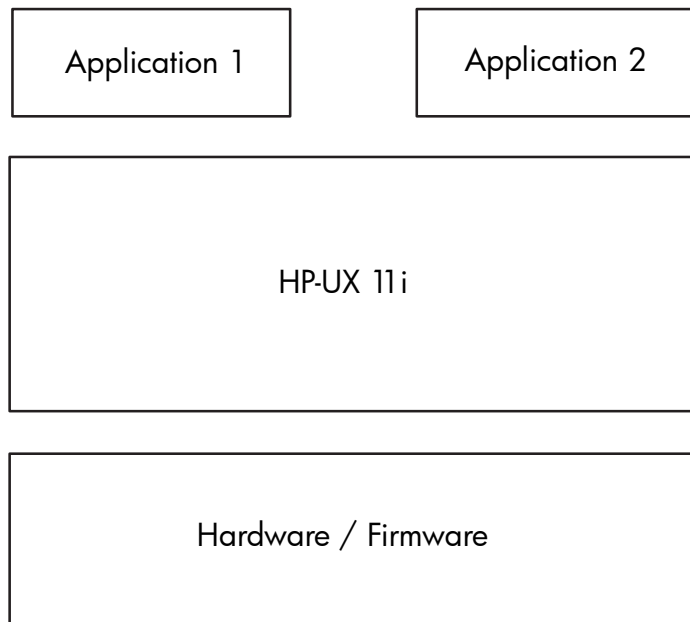


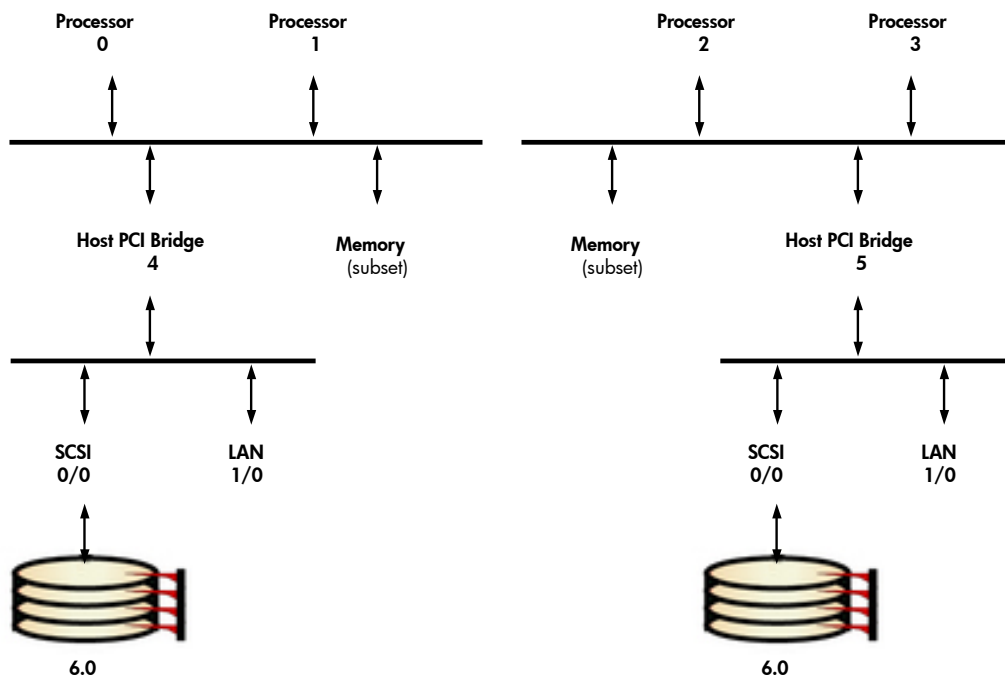
Figure 2-2 shows the software stack where all applications run on top of the single OS instance:

Figure 2-2 Software Stack of Server without vPars



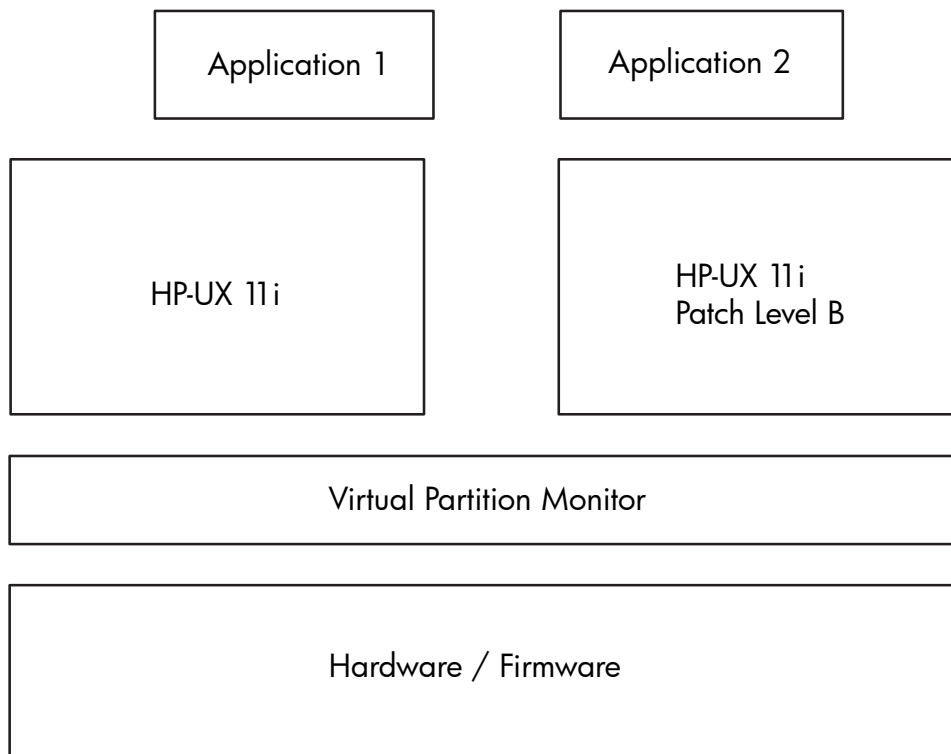
Using vPars, you can allocate a server's resources into two or more *virtual partitions*, each with a subset of the hardware. In Figure 2-3, two virtual partitions are shown, each with its own boot disk, its own processor resources, its own LAN connection, and a sufficient subset of memory to run HP-UX and the applications intended to be hosted on that virtual partition.

Figure 2-3 Server Block Diagram with Two Virtual Partitions



Each application can run on top of a separate OS instance. Instead of a single OS instance owning all the hardware, the vPars Monitor manages the virtual partitions and each OS instance as well as the assignment of hardware resources to each virtual partition.

Figure 2-4 Software Stack for Server with Two Virtual Partitions



vPars Monitor and Database

vPars Monitor

For each hard partition, the *vPars Monitor* manages the assignment of hardware resources to virtual partitions, boots virtual partitions and their kernels, and emulates certain firmware calls. By emulating these specific calls, vPars creates the illusion to each HP-UX instance that it is running on a standalone server, consisting of the hardware that has been assigned to it.

Once a virtual partition is launched, the vPars Monitor transfers ownership of the hardware to the virtual partition. At that point the vPars Monitor is not involved in accessing I/O hardware, physical memory, or process to processor cycles: the individual HP-UX instances have complete ownership of their respective hardware resources. This allows each partition to run at full speed.

The commands for the vPars Monitor are shown in the section “vPars Monitor: Using vPars Monitor Commands” (page 131); however, most of the vPars operations are performed using vPars commands at the Unix shell level. For more information on the commands, see the chapter “vPars Monitor and Shell Commands” (page 121).

For information on the vPars Monitor memory usage, see Appendix D (page 315).

vPars Partition Database

At the heart of the vPars Monitor is the *partition database*. The partition database contains partition configuration information. Using the partition database, the vPars Monitor tracks which virtual partitions exist and what hardware resources and partition attributes are associated with each partition.

When the vPars Monitor boots (see “Boot Sequence” (page 30)), it reads a copy of the partition database from a file on the same disk from which the vPars Monitor `/stand/vpmon` is booted. The default file is `/stand/vpdb`. Then, the vPars Monitor creates a master copy of the vPars partition database in the memory reserved by the vPars Monitor.

The operating system of each virtual partition also keeps a local copy of the partition database in a file, by default `/stand/vpdb`, on its local boot disk.

As a preventive action, you can back up the vPars partition database to avoid accidental loss of configuration changes. For more details, see “Network and Tape Recovery” (page 279) and “Using an Alternate Partition Database File ” (page 171).

You can create, modify, and view the database contents using vPars commands at the Unix shell level. See “vPars Monitor and Shell Commands” (page 121). Because the format of the database is proprietary, you must use only vPars commands to create, modify, and view the database.

Whenever you execute a vPars command from the Unix shell of a partition, the change is made first to the vPars Monitor’s master copy. Then, the operating system from which you executed the command updates its local copy from the master copy. Every five seconds, the operating system of each running partition automatically updates its local copy from the master copy. This synchronization ensures that the virtual partitions and changes to the partition database are preserved when the entire hard partition is rebooted.



NOTE: The vPars Monitor can only synchronize to the database files of running virtual partitions. If you reboot the hard partition, you should boot the vPars Monitor from the boot disk of a virtual partition that was running during your most recent partition configuration change.

Boot Sequence

This section describes the boot differences in a vPars system relative to a non-vPars system.

For information on the HP-UX boot process, ISL, SSL, EFI, and vmunix, see the *HP-UX System Administrator’s Guide: Routine Management Tasks* available at <http://docs.hp.com> and see also the following manpages:

- *boot*(1M)
- *efi*(4)
- *hpux*(1M)
- *hpux.efi*(1M)
- *isl*(1M)
- *pdcc*(1M)
- *setboot*(1M)



NOTE: This section describes a manual boot sequence to help explain how vPars impacts the boot process, but you can continue to use an autoboot sequence to boot all partitions. See “Autoboot” (page 163).

Boot Sequence: Quick Reference

On a server without vPars, a simplified boot sequence is as follows.

PA-RISC		Integrity	
1. ISL	(Initial System Loader)	1. EFI	(Extensible Firmware Interface)
2. hpux	(secondary system loader)	2. hpux.efi	(HP-UX boot loader)
3. /stand/vmunix	(kernel)	3. /stand/vmunix	

Adding vPars adds the vPars Monitor layer, so now `hpux` (for Integrity, `hpux.efi`) loads the vPars Monitor. Then the vPars Monitor boots the kernels of the virtual partitions. The boot sequence becomes the following.

1. ISL or EFI	(firmware)
2. <code>hpux</code> or <code>hpux.efi</code>	
3. <code>/stand/vpmon</code>	(vPars Monitor and partition database)
4. <code>/stand/vmunix</code>	(kernels of the virtual partitions)

Boot Sequence: The Details

With or without vPars, the firmware loads and launches ISL or EFI.

PA-RISC	Integrity
ISL>	Shell> fs0: fs0:\> <code>\efi\hpux\hpux.efi</code>

In a server without vPars, from ISL or EFI, the loader `hpux` or `hpux.efi` loads the kernel `/stand/vmunix`:

PA-RISC	Integrity
ISL> <code>hpux /stand/vmunix</code>	HPUX> <code>boot vmunix</code>

However, in a server with vPars, from the loader (`hpux` or `hpux.efi`) loads the vPars Monitor (`/stand/vpmon`):

PA-RISC	Integrity
ISL> <code>hpux /stand/vpmon</code>	HPUX> <code>boot vpmon</code>

The vPars Monitor loads the partition database (the default is `/stand/vpdb`) from the same disk that `/stand/vpmon` was booted. The vPars Monitor internally creates (but does not boot) each virtual partition according to the resource assignments in the partition database.

Next, the vPars Monitor runs in interactive mode (when no options to `/stand/vpmon` are given) with a command line interface.

MON>

To boot a kernel in a virtual partition (that is, to launch a virtual partition), use the vPars Monitor command `vparload`. For example, to launch the virtual partition named `uma1`:

MON> `vparload -p uma1`

In this example, the vPars Monitor would load the virtual partition `uma1` and launch the kernel from the boot device specified for `uma1`. (The boot device is assigned when the virtual partition is created and is recorded in the vPars Monitor database.)

HP-UX is now booted on the virtual partition `uma1`.

Once a virtual partition is running, you will be at the virtual console of a virtual partition. Subsequent virtual partitions can be booted using the vPars command `vparboot` at the HP-UX shell prompt of `uma1`. For information on how to boot a virtual partition, see “Booting a Virtual Partition” (page 154).

Virtual Consoles

HP-UX servers have a special terminal or window called a console that allows special control and displays system error messages.

With vPars, each virtual partition has its own *virtual console*. On Integrity, the console is virtualized by firmware (and therefore, there is no vcs driver). On PA-RISC, for each partition, its console I/O is sent to its vcn (Virtual CoNsole) driver. From the vcn driver, the console I/O is sent to the vPars Monitor. From the vPars Monitor, the console I/O is sent to the vcs (virtual console slave) driver of the partition that owns the hardware console port. Finally, the vcs driver sends the console I/O to the physical hardware console. It is this vcs driver that manages the console I/O to the actual hardware console port.

When the partition that owns the hardware console port is not running, the vPars Monitor takes over the management of the I/O to the hardware console port, so you will still have access to the virtual console displays.

You can access the console port as you would on any non-vPars server, for example, through a dumb terminal or lan console. Then, to cycle between the virtual console displays of the various partitions, press **Ctrl-A**.

Each virtual partition has an 8K circular buffer for console output. If not already displayed, the vPars Monitor copies this 8K buffer to the console when you press **Ctrl-A**.



CAUTION: (A.03.xx only) The first virtual partition that you create must own the LBA (local bus adapter) that contains the physical hardware console port. For an example, see “Assigning the Hardware Console LBA” (page 55).



NOTE: Note the following when using virtual consoles:

- **ioscan output** On a PA-RISC system, the `ioscan` output for `vcn` and `vcs` drivers show a value of `NO_HW` in the `S/W State` column. This is normal.

On an Integrity system, the vPars virtual console is truly virtual and will not show up in an `ioscan`. You can see this with the `vparstatus -m` command:

```
# vparstatus -m
Console path: No path as console is virtual
Monitor boot disk path: 13.0.11.1.0.8.0
Monitor boot filename: /stand/vpmon
Database filename: /stand/vpdb
Memory ranges used: 0x0/232611840 Monitor
                   0xdd6000/688128 firmware
                   0xde7e000/1384448 Monitor
                   0xdfd0000/33751040 firmware
                   0x10000000/134213632 Monitor
                   0x7fffe000/8192 firmware
                   0x8a0ff000000/16777216 firmware
```

- **Potential for Lost Output** Because the console output is a circular buffer, output beyond the 8K is overwritten and lost.
- **Active Console I/O when Multiple Virtual Partitions are Booted** It is not deterministic which virtual partition will be active with the physical console when multiple virtual partitions are booted.
- **Switchover Pause with Shutting Down** When the virtual partition that owns the hardware console port is shut down, there will be a pause of console output (the system is *not* hung) as console I/O management switches over from the virtual partition to the vPars Monitor. Console output resumes automatically after the pause. You will not lose any console output. During the switchover period, no console input is accepted.
For rp7400/N4000 and rp5470/L3000 servers, the pause can be from ten to twenty seconds. For Superdome and other nPartitionable servers, the switchover pause can be minutes, depending on the amount of memory owned by the virtual partition that owns the hardware console port.
- **Pause when Booting from Tape** The system may appear but is actually not hung when booting from tape due to the increased time it takes to load a kernel from tape instead of from disk.
- **Switchover Pause during the Crash State** Whenever the virtual partition that owns the hardware console port is in the `crash` state, the switchover pause will occur and remain as long as the virtual partition is in this `crash` state. For more information on the `crash` state, see the `vparstatus(1M)` manpage and “Commands: Displaying vPars Monitor and Resource Information (`vparstatus`)” (page 137).
- **GSPdiag1 Device File** The `GSPdiag1` device file (`/dev/GSPdiag1`) can only be accessed from the virtual partition that contains the console hardware port.
- **Terminal Emulation** To avoid display problems, be sure that the terminal setting of the GSP on the vPars server matches the terminal or terminal emulator that you are using to access it. For details on how to do this, see “Setting the GSP Terminal Type” (page 69).
- **Ignored Keyboard Input (A.03.xx only)** There is one known case where the virtual console will ignore keyboard input (data sent to the console continues to be displayed; only keyboard input is ignored). This occurs when the virtual partition that owns the hardware console port is down and the CPU with the lowest hardware path is not assigned to any virtual

partition. When this CPU is migrated to a running virtual partition, the console will not accept any keyboard input.

You can do either of the following to resolve the problem:

- From a running partition, reset the partition that owns the hardware console port by executing `vparreset -p target_partition -h`, where `target_partition` is the partition that owns the hardware console port.
- From a running partition, boot the partition that owns the hardware console port by executing `vparboot -p target_partition`, where `target_partition` is the partition that owns the hardware console port

If no other virtual partitions are accessible, you must reboot the server or nPartition in order to regain console input.

- **toggling Past the vPars Monitor Prompt (A.03.xx only)** When the monarch CPU of the server is not assigned to any partition, you will see the vPars Monitor prompt. Press **Ctrl-A** to cycle to the console window of the next partition.
-

nPartition Logs

On an nPartition server running vPars, all virtual partitions within an nPartition share the same console device: the *nPartition's console*. Thus, an nPartition's console log contains console I/O for multiple virtual partitions. Further, since the vPars Monitor interface is displayed and accessed through the nPartition's console, vPars Monitor output is also recorded in the nPartition's console log. There is only one vPars Monitor per nPartition.

The *server chassis logs* record nPartition and server complex hardware events. The chassis logs do not record vPars-related configuration or vPars boot events (PA-RISC only); however, the chassis logs do record HP-UX "heartbeat" events. The server chassis logs are viewable from the GSPs Show Chassis Log menu. For more information, see the Help within the GSPs online help.

The *vPars Monitor event logs* record only vPars events; it does not contain any nPartition chassis events. For more information, see *vparstatus(1M)*.

Also, for a given nPartition, the Virtual Front Panel (VFP) of the nPartition's console displays an OS heartbeat whenever at least one virtual partition within the nPartition is up.

MCA (Machine Check Abort) Logs on Integrity Systems

Description

An MCA is a CPU interrupt that occurs when the CPU discovers that it can not continue reliable operation. An MCA can result from either a hardware problem (such as an uncorrectable data error in memory or on a system bus) or from a software error (typically, in a driver). In most cases when an MCA occurs, the system stops normal processing and takes an OS memory dump if possible. The firmware also automatically logs data that can be used by HP tools to analyze the cause of the MCA. On reboot, this data is read from firmware and saved in "MCA logs".

Two different types of MCAs can occur. On an Integrity nPartition running vPars, the first type will only affect one virtual partition and is called a "local MCA". The second type will affect all the virtual partitions in an nPartition and is called a "Global MCA".

Location of Log Files

On an nPartition not running vPars, the MCA logs are gathered from the firmware during OS reboot and saved in the `/var/tombstones` directory. Typically, multiple files are created of the form `mca*`.

When running vPars, logs from a local MCA are saved in the virtual partition that experienced the MCA. Similar to the non-vPars configuration, these files are in the `/var/tombstones` directory of the virtual partition. Logs from a global MCA are saved in the `/var/tombstones` directory of

only one particular virtual partition. The virtual partition that is used is the virtual partition that was booted from the *same disk that was used to boot the vPars Monitor*; this disk must be the primary boot disk specified in the EFI Boot Manager after the system reboots in vPars mode following an MCA.



NOTE: For information on logging of the command execution of `vpar*` commands, see “Commands: vPars Commands Logging” (page 135). Note that `vpar*` commands can be executed from a root window; it does not require a console window, although at times, such as during the installation of a new virtual partition, a console window may be desired. For information on the differences between console and root windows, see the *HP-UX System Administrator’s Guide* available at <http://docs.hp.com>.

Security

You should be aware of the following security issues and solutions:

- The vPars commands (as described in “vPars Monitor and Shell Commands” (page 121)) are restricted to root access, but the commands work on any of the virtual partitions, regardless of which partition the commands are executed from. Therefore, a user with the appropriate privileges on one partition can affect another virtual partition by targeting the virtual partition in a vPars command. For example, a root user running on the partition `vpar2` can reset the partition `vpar3` using the `vparreset` command.

To minimize such interactions, use the vPars Flexible Administrative Capability. With this feature, you can assign vPars administration capabilities to designated virtual partitions. Only superusers within the designated virtual partitions can affect other virtual partitions; a superuser within a non-designated virtual partition can perform only operations that affect itself. For more information, see the Chapter 11: “vPars Flexible Administrative Capability” (page 291).

- A user with access to the console can gain access to the file systems on any of the virtual partitions in the hard partition. To prevent this, control access to the physical console or GSP.



NOTE: A white paper on using RBAC (Role-based Access Control) with vPars A.04.xx and A.05.xx is available at :

<http://docs.hp.com/en/vse.html#Virtual%20Partitions>

EFI and Integrity Notes

- **EFI Shell Accessibility** After the vPars Monitor (`/stand/vpmon`) is booted, the EFI shell will not be accessible. This includes using `hpux.efi` and other EFI commands.
If you need to perform any EFI functions, you will need to shut down all the virtual partitions and reboot the nPartition to access the EFI shell.
- **New vPars Commands** The vPars commands introduced in vPars A.04.01 for use on **only Integrity systems** are `vparsenv`, `vparsconfig`, and `vparsEFIutil`:

`vparsenv` **HP-UX shell command** that allows you to **set the mode** (vPars or nPars) for the next reboot of the nPartition or to set the memory granularity unit size in firmware.

`vparsconfig` **EFI command** that allows you to **set the mode** (vPars or nPars) and forces a reboot of the nPartition.

Note that `vparsconfig` is **not a built-in EFI command**; you will need to go to the `fsN:\>` disk prompt to execute this command.

`vparsconfig` is installed in the EFI partition of the root disk when vPars is installed. Specifically, the file is `vparsconfig.efi` and is installed in `\efi\hpux`.

`vparsEFIutil` **HP-UX shell command** to display or manage the **HP-UX hardware path to EFI path mappings** of bootable disks within the vPars database.

When booting the vPars Monitor from EFI (`boot /stand/vpmon`), the backspace key sometimes is not parsed correctly; if the command fails, try again without backspacing.

For more information on:

- using `vparsenv` or `vparsconfig` to switch modes, see “Modes: Switching between nPars and vPars Modes (Integrity Only)” (page 122).
- using `vparsenv` and `granularity`, see “Memory: Granularity Concepts” (page 222).
- using `vparsEFIutil`, see “EFI Boot Disk Paths, including Disk Mirrors, and `vparsEFIutil` (Integrity Only)” (page 126).
- **CPUs and Deconfiguration** If a CPU is **marked for deconfiguration** using an EFI command and the nPartition is not rebooted (for example, the vPars Monitor is immediately booted), the vPars Monitor will not know or indicate (including with `vparsstatus`) that the CPU has been marked for deconfiguration and will use the CPU like any other working CPU.
- **EFI Variables and Switching Modes**



NOTE: The following EFI settings behavior does not occur when using vPars A.05.01 or later, vPars A.04.04 or later, and the system firmware required for those vPars releases. See the *HP-UX Virtual Partitions Ordering and Configuration Guide* for minimum firmware version details.

The default EFI settings in nPars mode will be inherited when switched to vPars mode. However, when switching back to nPars mode, **any EFI settings will be reset to the nPartition defaults**, unless otherwise noted (for example, memory granularity). This **includes the primary and alternate paths** (HAA (High-Availability Alternate) is not supported). Even if you use `parmodify` to change the paths, `parstatus` will show them as set; however, once the system is booted into nPars mode, those changes by `parmodify` are not retained. For more information on switching modes, see the manpage `vparsenv(1M)`.

Also, while running in vPars mode, the EFI device path of a boot device, specifically the vPars Monitor boot device, can be changed when the boot device is reformatted due to an installation (either cold or Ignite-UX). The associated EFI boot path is updated to use the

new EFI device path. However, firmware-saved EFI boot path options are not updated. If the nPartition or vPars Monitor is rebooted, the new EFI boot path options are discarded and replaced with the previously saved EFI boot path options, which contain now stale EFI device paths.

The EFI boot options can be updated manually by performing the following:

1. Switch to nPars mode via the `vparsenv` or `vparsconfig` command.
 2. Reboot the nPartition to the EFI Boot Manager.
 3. Select `Boot Option Maintenance Menu`.
 4. Select `Delete Boot Option(s)`.
 5. Select `HP-UX Primary Boot` and then exit.
 6. Select `Exit` to return to the EFI Boot Manager.
 7. Select `EFI Shell [Built-in]`.
 8. Launch HP-UX from the EFI shell prompt:

```
Shell> fsN:
fsN:\> efi\hpux\hpux boot vmunix
```
 9. Use the `setboot` command to set up the primary boot path with the desired boot device. This also sets the `HP-UX Primary Boot` boot option with the latest EFI device path.
 10. Use the `vparsenv` command to switch to vPars mode.
 11. Reboot the nPartition.
- **EFI Command** `default clear` Whenever you use the `default clear` command at the EFI shell, this erases vPars information that is stored in NVRAM and the vPars monitor may not boot. To boot the vPars Monitor, you should perform the following:
 1. Change the mode to nPars and allow the system to reboot to the EFI shell:

```
Shell> fsN:
fsN:\> efi\hpux\vparsconfig reboot nPars
```
 2. At the EFI prompt, boot the HP-UX kernel in standalone mode:

```
Shell> fsN:
fsN:\> efi\hpux\hpux /stand/vmunix
```

The booting of the kernel will restore the vPars information in NVRAM. Now you can return to vPars mode and reboot the vPars Monitor.
 3. To change the mode to vPars and reboot the vPars Monitor:

```
# vparsenv -m vPars
# shutdown -r
...
Shell> fs0:
fs0:\> \efi\hpux\hpux vpmon
```

Integrity Differences Relative to PA-RISC

Beginning with vPars A.04.01, vPars is supported on both Integrity and PA-RISC platforms. This section describes the major conceptual differences for booting and running vPars on Integrity relative to the original vPars on PA-RISC.

Booting

- **Modes** On Integrity platforms, you have to set the mode (vPars or nPars) to be able to boot the nPartition into standalone (nPars) or the vPars environment (vPars).
See “Modes: Switching between nPars and vPars Modes (Integrity Only)” (page 122).

On PA-RISC, you do not need to set modes.

- **vparboot -I and the LAN Card** On Integrity platforms, performing a `vparboot -I` uses the LAN card of the target partition to obtain the bootable kernel.
See “Ignite-UX, the LAN, the LAN card, and `vparboot -I`” (page 74).
On PA-RISC, the lan card of the source partition is used.
- **Boot String** On Integrity platforms, the boot string used at the `hpux.efi` prompt (`hpux>`) is “boot `vpmon`”.
See “Boot Sequence” (page 30).
See “vPars Monitor: Booting the vPars Monitor” (page 130).
See “Autoboot” (page 163).
On PA-RISC, the boot string at the `hpux` prompt (`HPUX>`) is “`hpux /stand/vpmon`”.

Commands

- **vPars Commands** These commands are effective only on Integrity:
 - `vparefiutil`
 - `vparentv`
 - `vparconfig`
 These commands are effective only on PA-RISC:
 - `vparreloc`
 - `vparutil`

For Further Information

- “EFI and Integrity Notes” (page 37)
- “Comparing vPars on PA-RISC and Integrity” (page 39)

Comparing vPars on PA-RISC and Integrity

This table shows the differences in features between vPars on PA-RISC and Integrity platforms.

Table 2-1 PA-RISC and Integrity Differences

vPars Functionality	PA-RISC	Integrity
Supported OS	HP-UX 11i v1 (B.11.11) with vPars A.03.xx HP-UX 11i v2 (B.11.23) with vPars A.04.xx HP-UX 11i v3 (B.11.31) with vPars A.05.xx	HP-UX 11i v2 (B.11.23) with vPars A.04.xx HP-UX 11i v3 (B.11.31) with vPars A.05.xx
Updates Allowed	HP-UX 11i v1 to 11i v2 HP-UX 11i v2 to 11i v3	HP-UX 11i v2 to 11i v3
Server Boot Firmware	ISL	EFI
Server Mode Specification Methods	N/A	<ul style="list-style-type: none"> • Shell> fsN: fsN:\> vparconfig reboot mode • MON> reboot mode • HP-UX# vparentv -m mode where <i>mode</i> is vPars or nPars

Table 2-1 PA-RISC and Integrity Differences (continued)

vPars Functionality	PA-RISC	Integrity
Boot vPars Monitor Steps	ISL> hpux /stand/vpmon	Shell> fs0: fs0:\> vparconfig reboot vPars ... Shell> fs0: fs0:\> hpux vpmon
Booting to standalone mode special steps	none	set to nPars mode before booting nPartition
PRI and ALT saved across nPars-mode/standalone and vPars-mode/vPars changes	yes	yes (vPars A.05.xx and HP-UX 11i v3 firmware only)
Console Port Assigned to First Partition Requirement	yes (vPars A.03.xx only)	no
Console vcn listed in ioscan output	yes	no
Architecture-specific vPars Monitor Commands	cat, cbuf, getauto, lifls, ls	threads
New vPars commands since A.03.01	HP-UX level: vparadmin	EFI level: vparconfig HP-UX level: vparenv, vparefiutil, vparadmin
vparboot -I	vparboot -p target_vpar -I ignite_ux_server, WINSTALL_path	vparboot -p target_vpar -I [[-d dbprofile_name] [-s ignite_ux_server_ip [-c client_ip -g gateway_ip -m subnet_mask] -b boot_file [-o optional_data]]]
LAN card used in vparboot -I	source vpar	target vpar
vPars GUI	yes (HP-UX 11i v1 only)	not available
Tape Boot Support	yes (vPars A.03.03 and later, A.04.03 and later, A.05.xx)	yes (vPars A.04.04 and later, A.05.02 and later)

Comparing vPars Versions

This tables shows the differences in features among vPars versions.

Table 2-2 Differences Among vPars Versions

vPars Version	A.03.xx	A.04.xx	A.05.xx
Architectures Supported	PA-RISC	PA-RISC, Integrity	PA-RISC, Integrity
Product Number	T1335AC	T1335BC	T1335CC
Media Format	CD	DVD	DVD
OS	HP-UX 11i v1 (B.11.11)	HP-UX 11i v2 (B.11.23)	HP-UX 11i v3 (B.11.31)
vPars Monitor Supports mixed HP-UX 11i v1/v2 vPars	no	yes (vPars A.04.05 and later)	no
vPars Monitor Supports mixed HP-UX 11i v2/v3 vPars	no	no	yes
vPars Monitor Supports mixed HP-UX 11i v1/v2/v3 vPars	no	no	yes (vPars A.05.03 and later)
Update Supported	N/A	HP-UX 11i v1 to 11i v2	HP-UX 11i v2 to 11i v3

Table 2-2 Differences Among vPars Versions (continued)

vPars Version	A.03.xx	A.04.xx	A.05.xx
Basic Memory Syntax	by size (ILM) by address range	by size (ILM) by address range by cell/size (CLM)	by size (ILM) by address range by cell/size (CLM) as base or float
Dynamic Memory Migration	no	no	yes ¹
Memory Types	ILM	ILM and CLM	ILM and CLM
Memory Granularity	no	yes	yes
CPU Types	Bound or Unbound	Boot Processor or Dynamic	Boot Processor or Dynamic
CPUs Able to Process Interrupts	Only Bound CPUs	At boot time, all CPUs Otherwise, any (using intctl)	At boot time, all CPUs Otherwise, any (using intctl)
Recommended CPU Specifications and Assignments	min specification by total by hardware path max specification	min specification by total by hardware path max specification by cell local processor	min specification by total by hardware path max specification by cell local processor
CPU quantity calculations	total=bound + unbound number of CPUs assigned by hw_path is subset of min count	total=boot processor + assigned by vPars Monitor + by cell local processor + by hardware path	total=boot processor + assigned by vPars Monitor + by cell local processor + by hardware path
Hyperthreading On (HT ON) support	no	no	yes ² (Integrity only, with dual-core Intel Itanium processors)
Flexible Admin Capability	yes (vPars A.03.03 and later)	yes (vPars A.04.02 and later)	yes
Tape Boot Support	yes (vPars A.03.03 and later)	yes (PA-RISC: vPars A.04.03 and later) (Integrity: A.04.04 and later)	yes (PA-RISC: vPars A.05.xx) (Integrity: A.05.02 and later)
vPars GUI	yes	no	no
Parmgr	Required for Install	Not Required for Install	Not Required for Install
PPU Supported Products	Percent Utilization	Both Percent Utilization and Active CPU	Both Percent Utilization and Active CPU
Setting SCSI Parameters	vparutil	mptconfig	mptconfig

1 Dynamic memory migration requires the firmware revisions indicated in the *HP-UX Virtual Partitions Ordering and Configuration Guide*.

2 In order to work in a vPars environment, hyperthreading requires the firmware revisions indicated in the *HP-UX Virtual Partitions Ordering and Configuration Guide*.

Resource Migration and Required States

The table below shows whether a resource is dynamically migratable; in other words, for each given resource type and vPars version, the intersecting box shows whether the target virtual partition must be up or down to migrate the resource.

Table 2-3 To Migrate the Resource, the Target Virtual Partition State must be...

Version	CPUs	Memory	I/O
vPars A.03.xx	bound: down unbound: up or down	down	down
vPars A.04.xx			
vPars A.05.xx	boot processor: down all others: up or down	float: up or down base: add: up or down delete: down	

The table below shows the same information, but from the perspective of dynamic migration (in other words, online migration):

Table 2-4 Dynamic Migration

vPars Version	A.03.xx	A.04.xx	A.05.xx
Dynamic CPU Migration	Yes for unbound CPUs	Yes for non-boot processors	Yes for non-boot processors
Dynamic Memory Migration	No	No	Yes for float. For base, can only add base memory (cannot delete online)
Dynamic I/O Migration	No	No	No



NOTE: In a mixed HP-UX 11i v2/v3 vPars environment or a mixed HP-UX 11i v1/v2/v3 vPars environment, dynamic memory migration is only supported on the vPars versions that support dynamic memory migration. In other words, memory migration operations can be initiated only from virtual partitions running vPars A.05.xx, and the virtual partition target for the memory migration must be running vPars A.05.xx as well.

Transitioning from vPars A.03.xx to vPars A.04.xx/A.05.xx (CPU Syntax and Rules)

The values in a vPars database that were created using vPars A.03.xx and ported to vPars A.04.xx will have the following A.04.xx meanings for those values; likewise, using vPars A.03.xx syntax on a vPars A.04.xx system has the following A.04.xx meanings.

This table summarizes the A.04.xx and A.05.xx CPU syntax and rules

Table 2-5 CPU Syntax from A.03.xx to A.04.xx/A.05.xx

vPars A.03.xx Syntax	vPars A.04.xx/A.05.xx Syntax
<p>cpu::<i>min</i></p> <ul style="list-style-type: none"> number of bound CPUs minimum number of CPUs assigned to the partition number of CPUs assigned by hardware path is subset of <i>min</i> cannot change <i>min</i> while virtual partition is up 	<p>cpu::<i>min</i></p> <ul style="list-style-type: none"> minimum number of CPUs assigned to the partition cannot change <i>min</i> while virtual partition is up
<p>cpu:<i>hw_path</i></p> <ul style="list-style-type: none"> specify CPU by hardware path number of CPUs assigned by hardware path is subset of <i>min</i> 	<p>cpu:<i>hw_path</i></p> <ul style="list-style-type: none"> specify CPU by hardware path when a virtual partition is down, the number of CPUs assigned by hardware path must be less than or equal to the pre-existing <i>total</i> setting on dual-core processor systems, <i>hw_path</i> refers to the CPU cores (see <i>ioscan(1M)</i>)
<p>cpu::<i>total</i></p> <ul style="list-style-type: none"> total = bound + unbound CPUs 	<p>cpu::<i>total</i></p> <ul style="list-style-type: none"> total = (number of CPUs assigned by <i>hw_path</i>) + (number of CPUs assigned by cell) + (number of CPUs assigned by vPars Monitor) <p>NOTE: when the virtual partition is booted, one of the CPUs from the operand list above becomes the boot processor.</p> <p>NOTE: from a user's point of view, the same CPU could be considered under more than one category. However, the vPars Monitor will categorize and count a CPU only once. Use <code>vparsstatus -v</code> to see the CPU details.</p>
<p><i>max</i> as in cpu::<i>min:max</i></p> <ul style="list-style-type: none"> <i>max</i> is maximum number of CPUs that can be assigned to the partition 	<p><i>max</i> as in cpu::<i>min:max</i></p> <ul style="list-style-type: none"> same meaning as in A.03.xx

Table 2-6 CPU Rules from A.03.xx to A.04.xx/A.05.xx

vPars A.03.xx Rules	vPars A.04.xx/A.05.xx Rules
<p>dynamic CPU migration</p> <ul style="list-style-type: none"> only unbound CPUs can be migrated while a virtual partition is up 	<p>dynamic CPU migration</p> <ul style="list-style-type: none"> all CPUs except the boot processor can be migrated while a virtual partition is up
<p>count rules</p> <ul style="list-style-type: none"> number of CPUs assigned by <i>hw_path</i> \leq <i>min</i> $min \leq total \leq max$ 	<p>count rules</p> <ul style="list-style-type: none"> $min \leq total$ total = (number of CPUs assigned by <i>hw_path</i>) + (number of CPUs assigned by cell) + (number of CPUs assigned by vPars Monitor) <p>NOTE: when the virtual partition is booted, one of the CPUs from the operand list above becomes the boot processor.</p> <p>NOTE: from a user's point of view, the same CPU could be considered under more than one category. However, the vPars Monitor will categorize and count a CPU only once. Use <code>vparsstatus -v</code> to see the CPU details</p> <ul style="list-style-type: none"> $total \leq max$ when a virtual partition is down, the number of CPUs assigned by hardware path must be less than or equal to the pre-existing <i>total</i>

Table 2-6 CPU Rules from A.03.xx to A.04.xx/A.05.xx (continued)

vPars A.03.xx Rules	vPars A.04.xx/A.05.xx Rules
<p>adding to or deleting from the <i>total</i> count of CPUs assigned to a virtual partition is performed by only</p> <ul style="list-style-type: none"> • modifying <i>total</i> directly (<code>cpu::total</code>) 	<p>adding to or deleting from the <i>total</i> count of CPUs is performed by any of the following:</p> <ul style="list-style-type: none"> • modifying <i>total</i> directly (<code>cpu::total</code>) • adding or deleting by <code>hw_path</code> (<code>cpu:hw_path</code>) <ul style="list-style-type: none"> – if the virtual partition is up, total will be adjusted automatically (unless the CPUs are already assigned to the partition) – if the virtual partition is down, the number of CPUs assigned by hardware path must be less than or equal to the pre-existing <i>total</i> <p>if this is the case, you should first modify <i>total</i> to allow the additional CPU.</p> • adding or deleting by CLP <ul style="list-style-type: none"> – total will be adjusted automatically
<p>adding by num (<code>-a cpu::num</code>)</p> <ul style="list-style-type: none"> • deletion requires decreasing by num (<code>-d cpu::num</code>) 	<p>adding by num (<code>-a cpu::num</code>)</p> <ul style="list-style-type: none"> • deletion requires decreasing by num (<code>-d cpu::num</code>) or by <code>hw_path</code> (<code>-d cpu:hw_path</code>)
<p>adding by <code>hw_path</code> (<code>-a cpu:hw_path</code>)</p> <ul style="list-style-type: none"> • deletion requires deleting by <code>hw_path</code> (<code>-d cpu:hw_path</code>) • this does not adjust <i>total</i> • this does not adjust <i>min</i> • requires the partition to be down 	<p>adding by <code>hw_path</code> (<code>-a cpu:hw_path</code>)</p> <ul style="list-style-type: none"> • deletion requires deleting by <code>hw_path</code> (<code>-d cpu:hw_path</code>) • this does adjust <i>total</i> if the virtual partition is up (unless the CPU is already assigned to the partition); otherwise, if the virtual partition is down, the number of CPUs assigned by hardware path must be less than or equal to the current <i>total</i> • partition can be up or down

Table 2-6 CPU Rules from A.03.xx to A.04.xx/A.05.xx (continued)

vPars A.03.xx Rules	vPars A.04.xx/A.05.xx Rules
deleting by <code>hw_path</code> (-d <code>cpu:hw_path</code>) <ul style="list-style-type: none"> • can only delete CPU added by <code>hw_path</code> 	deleting by <code>hw_path</code> (-d <code>cpu:hw_path</code>) <ul style="list-style-type: none"> • can delete any CPU (except the boot processor)
adding by cell <ul style="list-style-type: none"> • not available in A.03.xx 	adding by cell (-a <code>cell:cell_ID:cpu::num</code>) <ul style="list-style-type: none"> • requires deleting by either of the following: <ul style="list-style-type: none"> – by cell (-d <code>cell:cell_ID:cpu::num</code>) – by <code>hw_path</code> (-d <code>cpu:hw_path</code>)
boot processor <ul style="list-style-type: none"> • not available in A.03.xx 	boot processor <ul style="list-style-type: none"> • cannot be deleted while the virtual partition is up Note that the actual boot processor can change across virtual partition reboots. Use the <code>vparstatus -v</code> command to determine which CPU is the current boot processor
<code>vparstatus</code> output when virtual partition is down <ul style="list-style-type: none"> • shows all bound CPUs assigned to the partition 	<code>vparstatus</code> output when virtual partition is down <ul style="list-style-type: none"> • shows CPUs assigned by hardware path • shows count of CPUs assigned by cell
I/O interrupts <ul style="list-style-type: none"> • only bound CPUs can handle I/O interrupts • <code>intctl</code> (interrupt control) applies to only the bound CPUs 	I/O interrupts <ul style="list-style-type: none"> • at boot: all CPUs can handle I/O interrupts • after boot: <ul style="list-style-type: none"> – when CPUs are removed from a virtual partition, the I/O interrupts are automatically reassigned to the other active CPUs – when CPUs are added to a virtual partition, the I/O interrupts are not automatically processed by the added CPUs – <code>intctl</code> can be applied to all CPUs

3 Planning Your System for Virtual Partitions

This chapter addresses the following topics:

- Example System
- Planning Your Virtual Partitions
- “Mixed HP-UX 11i v1/v2 vPars Environments in vPars A.04.05” (page 58)
- “Mixed HP-UX 11i v2/v3 vPars Environments in vPars A.05.xx” (page 60)
- “Mixed HP-UX 11i v1/v2/v3 vPars Environments in vPars A.05.03” (page 63)

Full ioscan Output of Non-Cellular System Named winona

```
winona# ioscan
```

H/W Path	Class	Description
0	root	
0/0	ioa	System Bus Adapter (803)
0/0	ba	Local PCI Bus Adapter (782)
0/0/0/0	lan	HP PCI 10/100Base-TX Core
0/0/1/0	ext_bus	SCSI C895 Fast Wide LVD
0/0/1/0.7	target	
0/0/1/0.7.0	ctl	Initiator
0/0/2/0	ext_bus	SCSI C875 Ultra Wide Single-Ended
0/0/2/0.6	target	
0/0/2/0.6.0	disk	SEAGATE ST39102LC
0/0/2/0.7	target	
0/0/2/0.7.0	ctl	Initiator
0/0/2/1	ext_bus	SCSI C875 Ultra Wide Single-Ended
0/0/2/1.7	target	
0/0/2/1.7.0	ctl	Initiator
0/0/4/0	tty	PCI Serial (103c1048)
0/0/5/0	tty	PCI Serial (103c1048)
0/1	ba	Local PCI Bus Adapter (782)
0/2	ba	Local PCI Bus Adapter (782)
0/4	ba	Local PCI Bus Adapter (782)
0/4/0/0	ba	PCItoPCI Bridge
0/4/0/0/4/0	lan	HP A5506A PCI 10/100Base-TX 4 Port
0/4/0/0/5/0	lan	HP A5506A PCI 10/100Base-TX 4 Port
0/4/0/0/6/0	lan	HP A5506A PCI 10/100Base-TX 4 Port
0/4/0/0/7/0	lan	HP A5506A PCI 10/100Base-TX 4 Port
0/5	ba	Local PCI Bus Adapter (782)
0/5/0/0	ba	PCItoPCI Bridge
0/5/0/0/4/0	lan	HP A5506A PCI 10/100Base-TX 4 Port
0/5/0/0/5/0	lan	HP A5506A PCI 10/100Base-TX 4 Port
0/5/0/0/6/0	lan	HP A5506A PCI 10/100Base-TX 4 Port
0/5/0/0/7/0	lan	HP A5506A PCI 10/100Base-TX 4 Port
0/8	ba	Local PCI Bus Adapter (782)
0/8/0/0	ext_bus	SCSI C875 Fast Wide Differential
0/8/0/0.5	target	
0/8/0/0.5.0	disk	SEAGATE ST39175LC
0/8/0/0.7	target	
0/8/0/0.7.0	ctl	Initiator
0/8/0/1	ext_bus	SCSI C875 Fast Wide Differential
0/8/0/1.7	target	
0/8/0/1.7.0	ctl	Initiator
0/10	ba	Local PCI Bus Adapter (782)
0/12	ba	Local PCI Bus Adapter (782)
1	ioa	System Bus Adapter (803)
1/0	ba	Local PCI Bus Adapter (782)
1/2	ba	Local PCI Bus Adapter (782)
1/2/0/0	ext_bus	SCSI C875 Fast Wide Differential

```

1/2/0/0.0          target
1/2/0/0.0.0       disk          SEAGATE ST39102LC
1/2/0/0.7         target
1/2/0/0.7.0      ctl          Initiator
1/2/0/1          ext_bus       SCSI C875 Fast Wide Differential
1/2/0/1.7        target
1/2/0/1.7.0      ctl          Initiator
1/4              ba          Local PCI Bus Adapter (782)
1/4/0/0          ext_bus       SCSI C875 Fast Wide Differential
1/4/0/0.5        target
1/4/0/0.5.0      disk          SEAGATE ST39175LC
1/4/0/0.7        target
1/4/0/0.7.0     ctl          Initiator
1/4/0/1          ext_bus       SCSI C875 Fast Wide Differential
1/4/0/1.7        target
1/4/0/1.7.0     ctl          Initiator
1/8              ba          Local PCI Bus Adapter (782)
1/10             ba          Local PCI Bus Adapter (782)
1/10/0/0         ba          PCItPCI Bridge
1/10/0/0/4/0    lan          HP A5506A PCI 10/100Base-TX 4 Port
1/10/0/0/5/0    lan          HP A5506A PCI 10/100Base-TX 4 Port
1/10/0/0/6/0    lan          HP A5506A PCI 10/100Base-TX 4 Port
1/10/0/0/7/0    lan          HP A5506A PCI 10/100Base-TX 4 Port
1/12             ba          Local PCI Bus Adapter (782)
1/12/0/0         ba          PCItPCI Bridge
1/12/0/0/4/0    lan          HP A5506A PCI 10/100Base-TX 4 Port
1/12/0/0/5/0    lan          HP A5506A PCI 10/100Base-TX 4 Port
1/12/0/0/6/0    lan          HP A5506A PCI 10/100Base-TX 4 Port
1/12/0/0/7/0    lan          HP A5506A PCI 10/100Base-TX 4 Port
32              pbc          Bus Converter
33              processor Processor
36              pbc          Bus Converter
37              processor Processor
40              pbc          Bus Converter
41              processor Processor
44              pbc          Bus Converter
45              processor Processor
96              pbc          Bus Converter
97              processor Processor
100             pbc          Bus Converter
101             processor Processor
104             pbc          Bus Converter
105             processor Processor
108             pbc          Bus Converter
109             processor Processor
192             memory      Memory

```

Full ioscan Output of Cellular (nPartitionable) System Named keira

```

keira# ioscan
H/W Path      Class      Description
-----
root
cell
0/0           ioa        System Bus Adapter (805)
0/0/0        ba        Local PCI Bus Adapter (782)
0/0/0/0/0    tty       PCI SimpleComm (103c1290)
0/0/0/0/1    tty       PCI Serial (103c1048)
0/0/0/3/0    ext_bus   SCSI C1010 Ultra160 Wide LVD A6793-60001
0/0/0/3/0.6  target   HP 36.4GST336753LC
0/0/0/3/0.7  target
0/0/0/3/0.7.0  ctl      Initiator
0/0/0/3/1    ext_bus   SCSI C1010 Ultra Wide A6793-60001
0/0/0/3/1.6  target
0/0/0/3/1.6.0  ctl      Initiator
0/0/1        ba        Local PCI-X Bus Adapter (783)
0/0/1/1/0    ba        PCItPCI Bridge
0/0/1/1/0/4/0  lan      HP A5506B PCI 10/100Base-TX 4 Port
0/0/1/1/0/5/0  lan      HP A5506B PCI 10/100Base-TX 4 Port
0/0/1/1/0/6/0  lan      HP A5506B PCI 10/100Base-TX 4 Port
0/0/1/1/0/7/0  lan      HP A5506B PCI 10/100Base-TX 4 Port

```



```

0/0/2          ba          lan          Local PCI-X Bus Adapter (783)
0/0/2/1/0     ba          lan          HP A6825-60101 PCI 1000Base-T Adapter
0/0/4          ba          lan          Local PCI-X Bus Adapter (783)
0/0/6          ba          lan          Local PCI-X Bus Adapter (783)
0/0/6/1/0     ba          fc          HP Tachyon XL2 Fibre Channel Mass Storage Adapter
0/0/8          ba          lan          Local PCI-X Bus Adapter (783)
0/0/8/1/0     ba          lan          PCItoPCI Bridge
0/0/8/1/0/1/0 ext_bus         SCSI C1010 Ultra160 Wide LVD
0/0/8/1/0/1/0.7 target        SCSI C1010 Ultra160 Wide LVD
0/0/8/1/0/1/0.7.0 ctl          Initiator
0/0/8/1/0/1/1 ext_bus         SCSI C1010 Ultra160 Wide LVD
0/0/8/1/0/1/1.7 target        SCSI C1010 Ultra160 Wide LVD
0/0/8/1/0/1/1.7.0 ctl          Initiator
0/0/8/1/0/4/0 lan          HP A6794-60001 PCI 1000Base-T
0/0/10         ba          lan          Local PCI-X Bus Adapter (783)
0/0/12         ba          lan          Local PCI-X Bus Adapter (783)
0/0/14         ba          lan          Local PCI-X Bus Adapter (783)
0/5            memory         Memory
0/10           processor        Processor
0/11           processor        Processor
0/12           processor        Processor
0/13           processor        Processor
0/14           processor        Processor
0/15           processor        Processor
1              cell          System Bus Adapter (805)
1/0            ioa          Local PCI Bus Adapter (782)
1/0/0          ba          lan          PCI SimpleComm (103c1290)
1/0/0/0/0     tty          PCI Serial (103c1048)
1/0/0/0/1     tty          SCSI C1010 Ultra160 Wide LVD A6793-60001
1/0/0/3/0     ext_bus         SCSI C1010 Ultra160 Wide LVD A6793-60001
1/0/0/3/0.6   target        HP 36.4GST336753LC
1/0/0/3/0.6.0 disk          SCSI C1010 Ultra160 Wide LVD A6793-60001
1/0/0/3/0.7   target        SCSI C1010 Ultra160 Wide LVD A6793-60001
1/0/0/3/0.7.0 ctl          SCSI C1010 Ultra Wide Single-Ended A6793-60001
1/0/0/3/1     ext_bus         SCSI C1010 Ultra Wide Single-Ended A6793-60001
1/0/0/3/1.7   target        SCSI C1010 Ultra Wide Single-Ended A6793-60001
1/0/0/3/1.7.0 ctl          SCSI C1010 Ultra Wide Single-Ended A6793-60001
1/0/1          ba          lan          Local PCI-X Bus Adapter (783)
1/0/1/1/0     ba          lan          PCItoPCI Bridge
1/0/1/1/0/1/0 ext_bus         SCSI C1010 Ultra160 Wide LVD
1/0/1/1/0/1/0.7 target        SCSI C1010 Ultra160 Wide LVD
1/0/1/1/0/1/0.7.0 ctl          SCSI C1010 Ultra160 Wide LVD
1/0/1/1/0/1/1 ext_bus         SCSI C1010 Ultra160 Wide LVD
1/0/1/1/0/1/1.7 target        SCSI C1010 Ultra160 Wide LVD
1/0/1/1/0/1/1.7.0 ctl          SCSI C1010 Ultra160 Wide LVD
1/0/1/1/0/4/0 lan          HP A6794-60001 PCI 1000Base-T
1/0/2          ba          lan          Local PCI-X Bus Adapter (783)
1/0/4          ba          lan          Local PCI-X Bus Adapter (783)
1/0/4/1/0     ba          lan          PCItoPCI Bridge
1/0/4/1/0/4/0 fc          HP 2 GB PCI/PCI-X Fibre Channel FC/GigE Dual
Port Combo Adapter
1/0/4/1/0/4/0.1 fcp          FCP Domain
1/0/4/1/0/4/0.1.0.0.0 ext_bus       FCP Array Interface
1/0/4/1/0/4/0.1.0.0.0.0 target        FCP Array Interface
1/0/4/1/0/4/0.1.0.0.0.0.1 disk          COMPAQ MSA1000 VOLUME
1/0/4/1/0/4/0.1.0.255.0 ext_bus       FCP Device Interface
1/0/4/1/0/4/0.1.0.255.0.0 target        FCP Device Interface
1/0/4/1/0/4/0.1.0.255.0.0.0 ctl          COMPAQ MSA1000
1/0/4/1/0/6/0 lan          HP A9784-60001 PCI/PCI-X 1000Base-T FC/GigE Combo
Adapter
1/0/6          ba          lan          Local PCI-X Bus Adapter (783)
1/0/8          ba          lan          Local PCI-X Bus Adapter (783)
1/0/10         ba          lan          Local PCI-X Bus Adapter (783)
1/0/12         ba          lan          Local PCI-X Bus Adapter (783)
1/0/12/1/0    ext_bus         SCSI C1010 Ultra160 Wide LVD A6829-60101
1/0/12/1/0.7 target        SCSI C1010 Ultra160 Wide LVD A6829-60101
1/0/12/1/0.7.0 ctl          Initiator
1/0/12/1/0.8 target        SCSI C1010 Ultra160 Wide LVD A6829-60101
1/0/12/1/0.8.0 disk          HP 36.4GST336753LC
1/0/12/1/1    ext_bus         SCSI C1010 Ultra160 Wide LVD A6829-60101
1/0/12/1/1.7 target        SCSI C1010 Ultra160 Wide LVD A6829-60101
1/0/12/1/1.7.0 ctl          Initiator
1/0/14         ba          lan          Local PCI-X Bus Adapter (783)
1/5            memory         Memory
1/6            ipmi          IPMI Controller
1/10           processor        Processor
1/11           processor        Processor
1/12           processor        Processor
1/13           processor        Processor
1/14           processor        Processor
1/15           processor        Processor

```

Planning, Installing, and Using vPars with an nPartitionable Server

When using vPars, the major difference between non-nPartitionable and nPartitionable systems is the hardware path.

I/O Hardware Paths

For non-nPartitionable systems, the beginning portions of the I/O hardware paths are in the format:

- sba/lba

But for nPartitionable systems, the beginning portions of the I/O hardware paths include the cell and are in the format:

- cell/sba/lba

Impact on vPars Commands: Specifying I/O

On a non-nPartitionable system, a `vparcreate` command might look like:

```
# vparcreate -p winona1 -a cpu::2 -a cpu:::2 -a mem::1024 -a io:0.0 -a io:0.4 -a io:0.0.2.0.6.0:BOOT
```

- where `-a io:0.0` represents the `sba/lba` format.

But on an nPartitionable system, the equivalent `vparcreate` command would look like:

```
# vparcreate -p vpar1 -a cpu::2 -a cpu:::2 -a mem::1024 -a io:0.0.0 -a io:0.0.4 -a io:0.0.0.2.0.6.0:BOOT
```

- where the `-a io:0.0.0` represents the `cell/sba/lba` format. If only `-a io:0.0` were used on an nPartitionable system, this would be specifying only the `cell/sba`.



CAUTION: When using vPars A.03.01 or earlier, I/O is assigned only at or below the LBA level. For correct I/O allocation, you *must include the LBA*. *Specifying only the SBA is not supported*. On nPartitionable systems, if you specify only the `cell/sba` format for I/O allocation, the vPars commands will not assume that all LBAs under the SBA are to be included in the allocation; the system may panic.



NOTE: When specifying the boot disk or alternate boot disk hardware paths, the *full hardware path* must always be specified. It must be in legacy hardware path format, as virtual partitions does not support `lun` or `lunpath` hardware path formats.

CPU Hardware Paths

The same is true for CPU hardware paths. In the non-nPartitionable systems, the CPU path is

- cpu

But for nPartitionable systems, the CPU path includes the cell, so the CPU path is

- cell/cpu

Impact on vPars Commands: Specifying CPU

Since the nPartitionable systems include the cell in the hardware path, when specifying a CPU hardware path, you must include the cell number to specify the entire CPU hardware path.

On a non-nPartitionable system, if the `ioscan` output shows

```
41 processor Processor
45 processor Processor
```

where 41 and 45 are the hardware paths of two CPUs, then the `vparcreate` command might look like:

```
# vparcreate -p winona2 -a cpu::2 -a cpu:::2 -a cpu:41 -a cpu:45 ...
```

But for an nPartitionable system, if the `ioscan` output shows

```
0/12 processor Processor
0/13 processor Processor
```

where 0/12 and 0/13 are the cell/CPU hardware paths, then the vparcreate command would look like:

```
# vparcreate -p vpar2 -a cpu::2 -a cpu:::2 -a cpu:0/12 -a cpu:0/13 ...
```

Planning Your Virtual Partitions

Virtual Partitions Layout Plan

Before you install vPars, you should have a plan of how you want to configure the virtual partitions within your server.

Example of a virtual partition plan for vPars A.04.xx based on the example cellular server:

Partition Name	keira1	keira2	keira3
Assigned CPUs (A.04.xx)	num = 2	num = 1 and 1 from cell 1	num = 1
Unassigned CPUs (A.04.xx)	three CPUs are available		
Memory	1024 MB	1024 MB	1024 MB
I/O LBAs	1.0.0 0.0.1	1.0.4 1.0.1	0.0.0 0.0.2
Boot Path	1/0/0/3/0.6.0.0.6.0	1/0/4/1/0/4/0.1.0.0.0.0.1	0/0/0/3/0.6.0
LAN	0/0/1/1/0/4/0	1/0/1/1/0/4/0	0/0/2/1/0
console port (PA-RISC Only)	owned by keira1		
Autoboot	AUTO	MANUAL	AUTO

Example of a virtual partition plan for vPars A.03.xx based on the example non-cellular server:

Partition Name	winona1	winona2	winona3
Bound CPUs (A.03.xx)	total = 2 min = 2	total = 2 min = 2 paths = 41,45	total = 1 min = 1
Unbound CPUs (A.03.xx)	three CPUs are available		
Memory	1024 MB	1280 MB	1280 MB
I/O LBAs	0.0 0.4	0.8 1.10	0.5 1.4
Boot Path	0.0.2.0.6.0	0.8.0.0.5.0	1.4.0.0.5.0
LAN	0.0.0.0	1.10.0.0.4.0	0.5.0.0.4.0
console port	owned by winona1		
Autoboot	AUTO	AUTO	AUTO



NOTE: When you create a partition, the vPars Monitor assumes you will boot and use the partition. Therefore, even if a partition is down, the resources assigned to the partition cannot be used by any other partition.

The next few sections will describe how we arrived at each portion of the partition plan.

Number of Virtual Partitions

For the latest information on the recommended and maximum number of virtual partitions per system or nPartition, see the document *HP-UX Virtual Partitions Ordering and Configuration Guide* available at:

<http://docs.hp.com/en/vse.html#Virtual%20Partitions>

Virtual Partition Names

All virtual partitions must be given text names that are used by the vPars commands. The names can consist of only alphanumeric characters and periods ('.'). The maximum length of a name is 239 characters.

HP recommends using the corresponding hostnames for virtual partition names, but they are not internally related.

For our cellular server, we have chosen the names of our virtual partitions to be `keira1`, `keira2`, and `keira3`:

Partition Name	<code>keira1</code>	<code>keira2</code>	<code>keira3</code>
----------------	---------------------	---------------------	---------------------

For our non-cellular server, we have chosen the names of our virtual partitions to be `winona1`, `winona2`, and `winona3`:

Partition Name	<code>winona1</code>	<code>winona2</code>	<code>winona3</code>
----------------	----------------------	----------------------	----------------------

Although the underscore (`_`) is a legal character within the name of a virtual partition, it is not a legal character within the Domain Name System (DNS).



TIP: Virtual Partitions on nPartitions

If you are using vPars on a complex, you may want to distinguish the names of your virtual partitions from the names of your nPartitions to avoid confusion.

Minimal Hardware Configuration

Every bootable virtual partition must have at least:

- 1 CPU
- system memory (sufficient for HP-UX and the applications in that partition)
- a boot disk (when using a mass storage unit, check your hardware manual to verify that it can support a boot disk)

Although not required for booting a virtual partition, you can add LAN card(s) as required for networking.

For your virtual partitions, use the number of CPUs, amount of memory, boot disk configuration, and lan cards as is appropriate for your OS and applications.

CPUs

For detailed information on CPU allocation, read “CPU” (page 230).

The `ioscan` output for the example non-cellular (winona) and cellular (keira) systems show the following CPUs:

```
keira# ioscan -kC processor
H/W Path      Class          Description
=====
0/10          processor      Processor
0/11          processor      Processor
0/12          processor      Processor
0/13          processor      Processor
0/14          processor      Processor
0/15          processor      Processor
1/10          processor      Processor
1/11          processor      Processor
1/12          processor      Processor
1/13          processor      Processor
1/14          processor      Processor
1/15          processor      Processor
```

```
winona# ioscan -kC processor
H/W Path      Class          Description
=====
33            processor      Processor
37            processor      Processor
41            processor      Processor
45            processor      Processor
97            processor      Processor
101           processor      Processor
105           processor      Processor
109           processor      Processor
```

vPars A.04.xx and later

For this example, `keira1` will have two CPUs, `keira2` will have two CPUs, and `keira3` will have one CPU.

Partition Name	keira1	keira2	keira3
Assigned CPUs	num = 2	num = 1 and 1 from cell 1	num = 1

We have three CPUs that were not assigned to any of the virtual partitions, so we will have three CPUs available.

Unassigned CPUs	three CPUs are available
-----------------	--------------------------

vPars A.03.xx and earlier

For this example, `winona1` will have two bound CPUs, `winona2` will have two bound CPUs where the hardware paths will be 41 and 45, and `winona3` will have one bound CPU.

Partition Name	winona1	winona2	winona3
Bound CPUs	total = 2 min = 2	total = 2 min = 2 paths = 41,45	total = 1 min = 1

Unbound CPUs are assigned in quantity. We have three CPUs that were not assigned to any of the virtual partitions, so we will have three unbound CPUs available.

Unbound CPUs	three CPUs are available
--------------	--------------------------

Memory

For detailed information on memory allocation, read “Memory: Allocation Notes” (page 230). If you are planning an A.05 system, you should *also* see “Memory: Topics” (page 181).



NOTE: The default memory assigned to a virtual partition is 0 MB, so you need to specify enough memory for your applications and the operating system. While there is no specific minimum base memory requirement per vPar, the HPUX kernel does require a certain amount of base memory to boot successfully. For this reason, we currently recommend that 1 GB of base memory is assigned per vpar. The more base memory a virtual partition has, the better the performance will be. This is especially true of applications that require large amounts of locked memory. See the *Installation and Update Guide* for your OS and the *nPartition Administrator’s Guide*.

In our examples, we will use the following sizes:

Partition Name	keira1	keira2	keira3
Memory	1024 MB	1024 MB	1024 MB

Partition Name	winona1	winona2	winona3
Memory	1024 MB	1280 MB	1280 MB

I/O

For detailed information on I/O Assignments, see “I/O: Allocation Notes” (page 217).

For simplified I/O block diagrams of the LBA to physical slot relationship of PA-RISC systems, see Appendix A (page 305).

Assigning I/O at the LBA Level

Looking at the full `ioscan` output to verify that we have the desired I/O for each virtual partition, we will assign the I/O at the LBA level. (When assigning hardware at the LBA level to a partition, all hardware at and below the specified LBA is assigned to the partition.)

For our example non-cellular (winona) and cellular (keira) systems, the `ioscan` output shows the LBAs as:

```
keira# ioscan -k | grep "Bus Adapter"
0/0/0          ba                      Local PCI Bus Adapter (782)
0/0/1          ba                      Local PCI-X Bus Adapter (783)
0/0/2          ba                      Local PCI-X Bus Adapter (783)
0/0/4          ba                      Local PCI-X Bus Adapter (783)
0/0/6          ba                      Local PCI-X Bus Adapter (783)
0/0/8          ba                      Local PCI-X Bus Adapter (783)
0/0/10         ba                      Local PCI-X Bus Adapter (783)
0/0/12         ba                      Local PCI-X Bus Adapter (783)
0/0/14         ba                      Local PCI-X Bus Adapter (783)
1/0/0          ba                      Local PCI Bus Adapter (782)
1/0/1          ba                      Local PCI-X Bus Adapter (783)
1/0/2          ba                      Local PCI-X Bus Adapter (783)
1/0/4          ba                      Local PCI-X Bus Adapter (783)
1/0/6          ba                      Local PCI-X Bus Adapter (783)
1/0/8          ba                      Local PCI-X Bus Adapter (783)
1/0/10         ba                      Local PCI-X Bus Adapter (783)
1/0/12         ba                      Local PCI-X Bus Adapter (783)
1/0/14         ba                      Local PCI-X Bus Adapter (783)

winona# ioscan -k | grep "Bus Adapter"
0/0           ba                      Local PCI Bus Adapter (782)
0/1           ba                      Local PCI Bus Adapter (782)
0/2           ba                      Local PCI Bus Adapter (782)
0/4           ba                      Local PCI Bus Adapter (782)
0/5           ba                      Local PCI Bus Adapter (782)
0/8           ba                      Local PCI Bus Adapter (782)
```

```

0/10          ba          Local PCI Bus Adapter (782)
0/12          ba          Local PCI Bus Adapter (782)
1/0           ba          Local PCI Bus Adapter (782)
1/2           ba          Local PCI Bus Adapter (782)
1/4           ba          Local PCI Bus Adapter (782)
1/8           ba          Local PCI Bus Adapter (782)
1/10          ba          Local PCI Bus Adapter (782)
1/12          ba          Local PCI Bus Adapter (782)

```

Partition Name	keira1	keira2	keira3
I/O LBAs	1.0.0 (boot) 0.0.1 (lan)	1.0.4 (boot) 1.0.1 (lan)	0.0.0 (boot) 0.0.2 (lan)

Partition Name	winona1	winona2	winona3
I/O LBAs	0.0 boot/lan 0.4	0.8 boot 1.10 lan	0.5 lan 1.4 boot

Assigning the Hardware Console LBA

One of the virtual partitions must own the LBA that contains the physical hardware console port. In our example server, the hardware console port is at 0/0/4/0, which uses the LBA at 0/0. The LBA 0/0 is owned by the partition winona1:

console port	0.0.4.0	1/0/0/0/1
LBA	0.0	1.0.0
partition	winona1	keira1
console port	owned by winona1	owned by keira1

CAUTION: The A.03.xx releases of vPars require the *first* virtual partition to own the LBA for the physical hardware console port. For the example above, when we create the virtual partitions, we would create `winona1` and `keira1` first.

CAUTION:
vPars Console Assignment on sx2000-based Servers The console UART for sx2000-based servers is no longer on a PCI card, and the system console is memory mapped and moved to PDH. Hence, there is no LBA component for the console to be assigned to a virtual partition.

Thus, for sx2000-based servers, you must assign the console by hardware path to a virtual partition by performing the following steps. For sx2000-based servers running vPars A.03.xx, the console hardware path must be assigned to the *first* virtual partition created.

1. Find out the console hardware path:

```
# ioscan -kfnC tty
Class I H/W Path Driver S/W State H/W Type Description
=====
tty 0 0/8/1 asio0 CLAIMED INTERFACE Built-in RS232C
      /dev/diag/mux0 /dev/mux0 /dev/tty0p0
```

The console hardware path on this system is 0/8/1.

2. Assign the console hardware path to the first virtual partition being created:

```
# vparcreate -p vPar1 -a io:0/8/1 ...
```

Choosing the Boot and Lan Paths

Using the full `ioscan` output, we chose the following boot disk path and note the LAN card path:

Partition Name	keira1	keira2	keira3
Boot Path	1/0/0/3/0.6.0.0.6.0	1/0/4/1/0/4/0.1.0.0.0.0.1	0/0/0/3/0.6.0
LAN	0/0/1/1/0/4/0	1/0/1/1/0/4/0	0/0/2/1/0

Partition Name	winona1	winona2	winona3
Boot Path	0.0.2.0.6.0	0.8.0.0.5.0	1.4.0.0.5.0
LAN	0.0.0.0	1.10.0.0.4.0	0.5.0.0.4.0

Autoboot

Autoboot allows a virtual partition to be booted automatically on a cold boot of the system. By default, autoboot is set to `AUTO` for all virtual partitions.

Partition Name	keira1	keira2	keira3
Autoboot	AUTO	MANUAL	AUTO

Partition Name	winona1	winona2	winona3
Autoboot	AUTO	AUTO	AUTO

For more information, see the `vparmodify(1M)` manpage.



NOTE: When using `vparboot -I` to install vPars, you need to leave the autoboot attribute set to `AUTO` during the installation due to the reboots that occur during the installation. After installation is complete, you can set the autoboot attribute to `MANUAL` using the `vparmodify` command. For example, after installation is complete, to set the autoboot attribute to `MANUAL` for the partition `winona3`:

```
# vparmodify -p winona3 -B manual
```

Virtual Partition Plan

Combining all parts above, the resultant partition plans are the following:

Partition Name	keira1	keira2	keira3
Assigned CPUs (A.04.xx)	num = 2	num = 1 and 1 from cell 1	num = 1
Unassigned CPUs (A.04.xx)	three CPUs are available		
Memory	1024 MB	1024 MB	1024 MB
I/O LBAs	1.0.0 0.0.1	1.0.4 1.0.1	0.0.0 0.0.2
Boot Path	1/0/0/3/0.6.0.0.6.0	1/0/4/1/0/4/0.1.0.0.0.0.1	0/0/0/3/0.6.0

LAN	0/0/1/1/0/4/0	1/0/1/1/0/4/0	0/0/2/1/0
console port (PA-RISC Only)	owned by keiral		
Autoboot	AUTO	MANUAL	AUTO

Partition Name	winona1	winona2	winona3
Bound CPUs (A.03.xx)	total = 2 min = 2	total = 2 min = 2 paths = 41,45	total = 1 min = 1
Unbound CPUs (A.03.xx)	three CPUs are available		
Memory	1024 MB	1280 MB	1280 MB
I/O LBAs	0.0 0.4	0.8 1.10	0.5 1.4
Boot Path	0.0.2.0.6.0	0.8.0.0.5.0	1.4.0.0.5.0
LAN	0.0.0.0	1.10.0.0.4.0	0.5.0.0.4.0
console port (PA-RISC Only)	owned by winona1		
Autoboot	AUTO	AUTO	AUTO

Mixed HP-UX 11i v1/v2 vPars Environments in vPars A.04.05

Beginning with vPars A.04.05, you can have a mixed HP-UX 11i v1/v2 vPars environment on PA-RISC systems only. A mixed HP-UX 11i v1/v2 vPars environment enables you to have a vPars A.04.05 Monitor and database that supports both virtual partitions running vPars A.04.05 on HP-UX 11i v2 (11.23) and virtual partitions running vPars A.03.05 on HP-UX 11i v1 (11.11).

An example mixed HP-UX 11i v1/v2 vPars environment looks like the following:

Table 3-1 Mixed HP-UX 11i v1/v2 vPars Environment

HP-UX 11i v2 (11.23) running vPars A.04.05	HP-UX 11i v1 (11.11) running vPars A.03.05	HP-UX 11i v1 (11.11) running vPars A.03.05	HP-UX 11i v2 (11.23) running vPars A.04.05	HP-UX 11i v1 (11.11) running vPars A.03.05
vPars A.04.05 Monitor				

Mixed HP-UX 11i v1/v2 vPars does not refer to mixing hardware (PA and Integrity) platforms. Additionally, virtual partitions running vPars A.05.xx on HP-UX 11i v3 (11.31), vPars A.04.04 and earlier on HP-UX 11i v2 (11.23), or vPars A.03.04 and earlier on HP-UX 11i v1 (11.11) are not supported in a mixed HP-UX 11i v1/v2 vPars environment.

Features of Mixed HP-UX 11i v1/v2 vPars Environments

The following are notable features of mixed HP-UX 11i v1/v2 vPars environments:

- The vPars A.04.05 Monitor or later is required for a mixed HP-UX 11i v1/v2 vPars environment.
The vPars A.04.05 Monitor supports both virtual partitions running vPars A.04.05 on HP-UX 11i v2 (11.23) and virtual partitions running vPars A.03.05 on HP-UX 11i v1 (11.11).
- The vPars A.03.05 Monitor supports booting only the HP-UX 11i v1 vPars A.03.05 environment.
The vPars A.03.05 Monitor does not support booting HP-UX 11i v2 environments and does not support Ignite-UX installation of HP-UX 11i v2 vPars using the `vparboot -I` command.
- HP-UX 11i v1 virtual partitions (running vPars A.03.05) can use `vparmodify` on itself only, and cannot use the `vparcreate` and `vparremove` commands. Thus, in a mixed HP-UX 11i v1/v2 vPars environment, an HP-UX 11i v1 virtual partition cannot remove virtual partitions, cannot create new virtual partitions, and can modify only itself.
- HP-UX 11i v2 virtual partitions (running vPars A.04.05) have no vPars command restrictions as compared with a pure HP-UX 11i v2 vPars environment.
- The status details reported by `vparstatus` are determined by the target virtual partition version and the vPars software version of the virtual partition issuing the command:
 - When `vparstatus` is run from an HP-UX 11i v2 virtual partition targeting an HP-UX 11i v1 virtual partition, the result is shown in HP-UX 11i v2 (vPars A.04.05) format.
 - The `vparstatus` command run from an HP-UX 11i v1 virtual partition does not report cell local memory (CLM) and cell local processor (CLP) details for HP-UX 11i v2 virtual partitions, even if they have CLM or CLP configured.
Likewise, the `vparstatus -A` command run from an HP-UX 11i v1 virtual partition does not display CLP information.
 - HP-UX 11i v1 bound processors are shown only when the HP-UX 11i v1 virtual partition is in an “up” state.
 - The `vparstatus` command run from an HP-UX 11i v1 virtual partition reports an HP-UX 11i v1 virtual partition's bound and float CPUs in legacy format.
The `vparstatus` command run from an HP-UX 11i v1 virtual partition reports that an HP-UX 11i v2 virtual partition's monarch CPU is “bound” and all other CPUs are shown as unbound (floater).
- The `vparstatus -P` command option is provided to display the HP-UX version running on virtual partitions in a mixed HP-UX 11i v1/v2 vPars environment.
- When the vPars Flexible Administrative Capability feature is enabled, a vPars A.04.05 virtual partition should be the designated-admin virtual partition. Because of HP-UX 11i v1 virtual partition command restrictions in mixed HP-UX 11i v1/v2 vPars environments, if only vPars A.03.05 virtual partitions are configured to be designated-admin, then no virtual partitions will be able to perform `vparmodify`, `vparremove`, or `vparcreate` operations on other virtual partitions.
- HP Global Workload Manager (gWLM) is supported in mixed HP-UX 11i v1/v2 vPars environments *with the following restrictions*:
 - Do not nest processor sets (Psets) under vPars A.03.05.
 - Do not assign CLPs to any of the virtual partitions.
 For details about these restrictions for using gWLM in a mixed HP-UX 11i v1/v2 vPars environment see the *HP-UX Virtual Partitions Release Notes (A.03.05)*.
- The Virtual Partition Manager (`vparmgr`) GUI is supported only on HP-UX 11i v1 virtual partitions in mixed HP-UX 11i v1/v2 vPars environments.

Feature Summary

The following table highlights the rules for having a mixed HP-UX 11i v1/v2 vPars environment.

Table 3-2 Mixed HP-UX 11i v1/v2 vPars Feature Summary

Feature	vPars A.03.xx Instances	vPars A.04.xx Instances	vPars A.05.xx Instances
Minimum vPars Version	A.03.05	A.04.05	Not Allowed
vPars Monitor Supports Mixed HP-UX 11i v1/v2 vPars Environment	No	Yes	
Cell Local Processor (CLP)	Not Supported	Supported	
Cell Local Memory (CLM)	Not Supported	Supported	
vparcreate, vparremove	Not Supported	Supported	
vparmodify on other virtual partitions	Not Supported	Supported	

Mixed HP-UX 11i v2/v3 vPars Environments in vPars A.05.xx

Beginning with vPars A.05.01, you can have a mixed HP-UX 11i v2/v3 vPars environment. A mixed HP-UX 11i v2/v3 vPars environment allows you to have a vPars A.05.01 monitor and database that supports both virtual partitions running vPars A.05.01 on HP-UX 11i v3 (11.31) and virtual partitions running vPars A.04.02 or later on HP-UX 11i v2 (11.23).

An example mixed HP-UX 11i v2/v3 vPars environment looks like the following:

Table 3-3 Mixed HP-UX 11i v2/v3 vPars Environment

HP-UX 11i v3 (11.31) running vPars A.05.01	HP-UX 11i v2 (11.23) running vPars A.04.02	HP-UX 11i v2 (11.23) running vPars A.04.03	HP-UX 11i v3 (11.31) running vPars A.05.01	HP-UX 11i v3 (11.31) running vPars A.05.01
vPars A.05.01 Monitor				

Mixed HP-UX 11i v2/v3 vPars does not refer to mixing hardware (PA and Integrity) platforms. Additionally, virtual partitions running vPars A.03.xx on HP-UX 11i v1 (11.11) and vPars A.04.01 on HP-UX 11i v2 (11.23) are not supported in a mixed HP-UX 11i v2/v3 vPars environment.



NOTE: Read the following rules and the table below when running a mixed HP-UX 11i v2/v3 vPars environment. *Many of the features of vPars are version-specific.*

To switch to an environment of only virtual partitions running vPars A.04.xx on HP-UX 11i v2, shut down the A.05.01 vPars Monitor and boot up the A.04.xx vPars Monitor.

Features

The following features work from *all* virtual partitions:

- legacy vPars functions
This includes dynamic CPU migration, except where noted below.
- HP-UX functions
All the corresponding HP-UX features associated with an HP-UX 11i release continue to work. Note that, as in a normal OS instance, an 11.31-only feature will not work in an 11.23 OS-instance.
- HT OFF
All virtual partitions can boot and run when hyperthreading is disabled (HT is set to OFF).

The following features can be executed *only* from the vPars-A.05.01/11.31-OS virtual partitions:

- creation, removal, and modification of a target virtual partition.

The `vparcreate` and `vparremove` operations can only be performed from the vPars A.05.01/11.31-OS virtual partitions; `vparmodify` operations affecting other virtual partitions can only be performed from the vPars A.05.01/11.31-OS virtual partitions.

Note that this only applies to performing these operations on *other* virtual partitions. Operations where the source and target virtual partition are the same are always supported, regardless of whether you are in a mixed HP-UX 11i v2/v3 vPars environment or not.

When the flexible administrative capability is ON, setting the vPars A.04.xx/11.23-OS virtual partitions as the only designated-admin virtual partitions is not recommended. If all the designated-admin virtual partitions are vPars A.04.xx/11.23-OS virtual partitions, *no* partitions will be able to perform `vparmodify`, `vparremove`, or `vparcreate` operations on other partitions.

The following features work *only between* the vPars-A.05.01/11.31-OS virtual partitions:

- dynamic memory migration

In a mixed HP-UX 11i v2/v3 vPars environment, dynamic memory migration is only supported on the vPars versions that support dynamic memory migration. In other words, the **source and target virtual partitions must be running vPars A.05.xx**.

It is possible to perform add/delete memory operations on virtual partitions running A.04.xx, as long as the target virtual partition is in the down state. Note that the `vparmodify` command must be executed on a virtual partition running vPars A.05.xx.

The following features are *not allowed* in a mixed HP-UX 11i v2/v3 vPars environment:

- HT ON

Because hyperthreading is an 11.31 feature, when hyperthreading is enabled (HT is ON), only the vPar A.05.01/11.31 virtual partitions will boot; the vPars A.04.xx/11.23 virtual partitions will not boot.

Version Requirements:

- Only the vPars A.05.01 Monitor supports a mixed HP-UX 11i v2/v3 vPars environment; therefore, for both 11.31 and 11.23 OS instances to be running, the vPars A.05.01 Monitor must be booted.

Note that this implies there must always be at least one vPars A.05.01 virtual partition in a given mixed HP-UX 11i v2/v3 vPars configuration. The vPars A.05.01 virtual partition need not be up and running. However, when running only vPars A.04.xx virtual partitions on a vPars A.05.01 Monitor, keep in mind the administrative restrictions on the vPars A.04.xx virtual partitions described in this section.

If a vPars A.04.02 Monitor is booted, the vPars A.05.01 virtual partitions will not boot.

- The 11.23 OS instances must be running vPars A.04.02 or later; vPars A.04.01 is not supported. The 11.31 OS instances must be running A.05.01 or later. HP-UX 11.11 OS/vPars A.03.xx instances are not supported.
- The firmware requirements for the system will follow that of vPars A.05.01.

Feature Summary

The following table highlights the above rules for having a mixed HP-UX 11i v2/v3 vPars environment.

Table 3-4 Mixed HP-UX 11i v2/v3 vPars Environment Feature Summary

Feature	vPars A.05.xx instances	vPars A.04.xx instances	vPars A.03.xx instances
Minimum vPars Version	A.05.01	A.04.02	Not Allowed
vPars Monitor Supports Mixed HP-UX 11i v2/v3 vPars Environment	Yes	No	
Dynamic CPU Migration	Supported	Supported	
Dynamic Memory Migration	Supported	Not Supported	
HT OFF	Supported	Supported	
HT ON	Supported	Not Supported	
vparcreate, vparremove	Supported	Not Supported	
vparmodify on other virtual partitions	Supported	Not Supported	

Booting Summary

Because only the vPars A.05.xx Monitor supports a mixed HP-UX 11i v2/v3 vPars environment, and because only HP-UX 11.31 supports HT ON/OFF, the following is true when booting a mixed HP-UX 11i v2/v3 vPars environment:

Table 3-5 Boot Attempts and Result

HT Setting	vPars Monitor Booted	vPars Monitor Boot Result	Virtual Partition(s) Booted	Virtual Partition(s) Boot Result
OFF	A.05.01	OK	A.05.01	OK
			A.04.02	OK
	A.04.02	OK	A.05.01	FAILS
			A.04.02	OK
ON	A.05.01	OK	A.05.01	OK
			A.04.02	FAIL
	A.04.02	FAIL	N/A	

Determining the Version in a Mixed HP-UX 11i v2/v3 vPars Environment

In addition to using the normal HP-UX commands to determine the OS version of a specific OS instance, you can use `vparstatus -P` to determine the vPars version of a specific virtual partition as well as the vPars version of the vPars Monitor which is booted. You cannot determine the OS or vPars version from the *summary* output of `vparstatus`. The `-P` option must be used.

- vparstatus output from a virtual partition running vPars A.05.01 in a mixed HP-UX 11i v2/v3 vPars environment:

```
keiral# vparstatus -P
Current Virtual Partition Version:  A.05.01
Monitor Version:  A.05.01

[Virtual Partition OS Version]
Virtual Partition Name          OS Version  State
=====  =====  =====
```

```
keira1          B.11.31      Up
keira2          B.11.23      Up
```

- vparstatus output from a virtual partition running vPars A.04.03 in a mixed HP-UX 11i v2/v3 vPars environment:

```
keira2# vparstatus -P
Commands product information:  A.04.03
Monitor product information:   A.05.01
```

Mixed HP-UX 11i v1/v2/v3 vPars Environments in vPars A.05.03

Beginning with vPars A.05.03, you can have a mixed HP-UX 11i v1/v2/v3 vPars environment on PA-RISC systems only. A mixed HP-UX 11i v1/v2/v3 vPars environment allows you to have a vPars A.05.03 monitor and database that supports:

- virtual partitions running vPars A.05.03 on HP-UX 11i v3 (11.31)
- virtual partitions running vPars A.04.02 or later on HP-UX 11i v2 (11.23), and
- virtual partitions running vPars A.03.05 on HP-UX 11i v1 (11.11)

An example mixed HP-UX 11i v1/v2/v3 vPars environment looks like the following:

Table 3-6 Mixed HP-UX 11i v1/v2/v3 vPars Environment

HP-UX 11i v3 (11.31) running vPars A.05.03	HP-UX 11i v2 (11.23) running vPars A.04.02	HP-UX 11i v1 (11.11) running vPars A.03.05	HP-UX 11i v3 (11.31) running vPars A.05.03	HP-UX 11i v2 (11.23) running vPars A.04.05
vPars A.05.03 Monitor				

Mixed HP-UX 11i v1/v2/v3 vPars does not refer to mixing hardware (PA-RISC and Integrity) platforms. Additionally, virtual partitions running vPars A.05.02 or earlier on HP-UX 11i v3 (11.31), vPars A.04.01 or earlier on HP-UX 11i v2 (11.23), or vPars A.03.04 or earlier on HP-UX 11i v1 (11.11) *are not supported* in a mixed HP-UX 11i v1/v2/v3 vPars environment.

Features of Mixed HP-UX 11i v1/v2/v3 vPars Environments

The following are notable features of mixed HP-UX 11i v1/v2/v3 vPars environments:

- The vPars A.05.03 Monitor or later is required for a mixed HP-UX 11i v1/v2/v3 vPars environment.

The vPars A.05.03 Monitor supports virtual partitions running vPars A.05.03 on HP-UX 11i v3 (11.31), virtual partitions running vPars A.04.02 or later on HP-UX 11i v2 (11.23), and virtual partitions running vPars A.03.05 on HP-UX 11i v1 (11.11).
- The vPars A.03.05 Monitor does not support booting the HP-UX 11i v2 or 11i v3 environments.
- The vPars A.04.xx Monitor does not support booting the HP-UX 11i v3 environment.
- HP-UX 11i v3 virtual partitions (running vPars A.05.03) have no vPars command restrictions as compared with a pure HP-UX 11i v3 vPars environment.
- An HP-UX 11i v1 virtual partition (running vPars A.03.05) can use `vparmodify` on itself only, and cannot use the `vparcreate` and `vparremove` commands. Thus, in a mixed HP-UX 11i v1/v2/v3 vPars environment, an HP-UX 11i v1 virtual partition cannot remove virtual partitions, cannot create new virtual partitions, and can modify only itself.
- An HP-UX 11i v2 virtual partition (running vPars A.04.02 or later) can use `vparmodify` on itself only, and cannot use the `vparcreate` and `vparremove` commands. Thus, in a mixed HP-UX 11i v1/v2/v3 vPars environment, an HP-UX 11i v2 virtual partition cannot remove virtual partitions, cannot create new virtual partitions, and can modify only itself.
- When the vPars Flexible Administrative Capability feature is enabled, a vPars A.05.03 virtual partition should be the designated-admin virtual partition. Because of HP-UX 11i v1 and 11i v2 virtual partition command restrictions in mixed HP-UX 11i v1/v2/v3 vPars environments, if only HP-UX 11i v1 or HP-UX 11i v2 virtual partitions are configured to be

designated-admin, then no virtual partitions will be able to perform `vparmodify`, `vparremove`, or `vparcreate` operations on other virtual partitions.

- The status details reported by the `vparstatus` command are determined by the target virtual partition version and the vPars software version of the virtual partition issuing the command.
 - Cell Local Memory (CLM) and Cell Local Processor (CLP) details are displayed only when listing details from an HP-UX 11i v2 or 11i v3 virtual partition.
 - Bound and floater CPU information is displayed only when listing details from an HP-UX 11i v1 virtual partition. This information is presented in legacy (HP-UX 11i v1) format.
 - HP-UX 11i v1 bound processors are shown only when the HP-UX 11i v1 virtual partition is in an “up” state.
 - When the `vparstatus` command is run from an HP-UX 11i v2 or v3 virtual partition to display information about an HP-UX 11i v1 virtual partition:
 - The output is displayed in HP-UX 11i v2/v3 format.
 - The bound CPUs in an HP-UX 11i v1 virtual partition are reported as “Min CPUs”.
 - When the `vparstatus` command is run from an HP-UX 11i v1 virtual partition to display information about an HP-UX 11i v2 or v3 virtual partition:
 - An HP-UX 11i v2 or 11i v3 virtual partition's monarch CPU is reported as “bound”.
 - If an HP-UX 11i v2 or 11i v3 virtual partition has Cell Local Processors, some CPUs are reported as “user bound”. The `vparstatus -A` option does not list CLP details when issued from HP-UX 11i v1.
 - All other HP-UX 11i v2 or 11i v3 CPUs are shown as unbound (floater).
 - Any Cell Local Memory assigned to an HP-UX 11i v2 or 11i v3 virtual partition is listed as part of the total memory. (That is, the “total memory” reported for the virtual partition is a sum of the interleaved memory and CLM.)
- The `vparstatus -P` command option is provided to display the HP-UX version running on virtual partitions in a mixed HP-UX 11i v1/v2/v3 vPars environment.
- HP Global Workload Manager (gWLM) is supported in mixed HP-UX 11i v1/v2 vPars environments *with the following restrictions*:
 - Do not nest processor sets (Psets) under vPars A.03.05.
 - Do not assign CLPs to any of the virtual partitions.For details about these restrictions for using gWLM in a mixed vPars environment see the *HP-UX Virtual Partitions Release Notes (A.03.05)*.
- The Virtual Partition Manager (`vparmgr`) GUI is supported only on HP-UX 11i v1 virtual partitions in a mixed HP-UX 11i v1/v2/v3 vPars environment.
- In a mixed HP-UX 11i v1/v2/v3 vPars environment, dynamic memory migration is only supported on the vPars versions that support dynamic memory migration. In other words, both the source and target virtual partitions must be running vPars A.05.03.
- Hyperthreading *is not supported* in mixed HP-UX 11i v1/v2/v3 vPars environments.

Enabling hyperthreading (HT ON) is supported only on Integrity systems with hyperthreading-capable processors. However, only HP-UX 11i v3 supports hyperthreading. HP-UX 11i v2 cannot boot on an Integrity system that has hyperthreading enabled, and HP-UX 11i v1 only is supported on PA-RISC systems.
- HP-UX 11i v1 virtual partitions (vPars A.03.05) does not support CLM or CLP resources.

It is possible—but not supported—to add CLM or CLP resources to an HP-UX 11i v1 virtual partition when it is in a “down” state. However, booting an HP-UX 11i v1 virtual partition will be halted if it has CLM or CLP resources assigned to it.
- The system firmware must match the vPars A.05.03 firmware requirements.

Features Summary

The following table highlights the rules for having a mixed HP-UX 11i v1/v2/v3 vPars environment.

Table 3-7 Mixed HP-UX 11i v1/v2/v3 vPars Environment Feature Summary

Feature	vPars A.05.xx instances	vPars A.04.xx instances	vPars A.03.05 instances
Minimum vPars Version	A.05.03	A.04.02 or later	A.03.05
vPars Monitor Supports Mixed HP-UX 11i v1/v2/v3 vPars Environment	Yes	No	No
Dynamic CPU Migration	Supported	Supported	Not Supported
Dynamic Memory Migration	Supported	Not Supported	Not Supported
HT OFF	Supported (Integrity only)	Supported (Integrity only)	Not Applicable (vPars A.03.05 not supported on Integrity)
HT ON	Supported (Integrity only)	Not Supported	Not Applicable (vPars A.03.05 not supported on Integrity)
Cell Local Processor (CLP)	Supported	Supported	Not Supported
Cell Local Memory (CLM)	Supported	Supported	Not Supported
vparcreate, vparremove	Supported	Not Supported	Not Supported
vparmodify on other virtual partitions	Supported	Not Supported	Not Supported

4 Installing, Updating, or Removing vPars and Upgrading Servers with vPars

This chapter addresses the following topics:

- Notes, Cautions, and Other Considerations Before You Update or Install vPars
- “Bundle Names” (page 70)
- Ignite-UX. See “Setting Up the Ignite-UX Server” (page 73)
- “Ignite-UX, the LAN, the LAN card, and `vparboot -I`” (page 74)
- Installing or Updating vPars
 - “Installing vPars with Ignite-UX on PA-RISC” (page 114)
 - “Installing vPars with Ignite-UX on Integrity” (page 116)
 - “Installing vPars with Software Distributor ” (page 118)
 - “Updating from vPars A.04.xx to A.05.xx” (page 76)
 - “Updating from vPars A.03.xx to Mixed HP-UX 11i v1/v2 vPars (A.03.05 and A.04.05) Environment” (page 81)
 - “Migrating from vPars A.03.xx to Mixed HP-UX 11i v1/v2/v3 vPars (A.03.05, A.04.02 or later, A.05.03)” (page 94)
 - “Updating from vPars A.04.xx to Mixed HP-UX 11i v2/v3 vPars (A.04.xx and A.05.xx) Environment” (page 96)
 - “Updating from vPars A.03.xx to A.05.xx” (page 103)
 - “Updating from vPars A.03.xx to A.04.xx” (page 103)
 - “Updating vPars A.03.xx to vPars A.03.05” (page 106)
 - “Updating from vPars (A.02.xx or A.03.xx) to A.03.xx ” (page 108)
- Upgrading Server Chipsets
- “Removing the vPars Product” (page 119)

Notes, Cautions, and Other Considerations Before You Update or Install vPars

Notes

Be sure you understand vPars before attempting the updates and installations. See Chapter 2: “How vPars and Its Components Work ” (page 27) and Chapter 3: “Planning Your System for Virtual Partitions” (page 47).

Booting from HP-UX Install Media (Integrity only) Under vPars A.05.02 and later, the vPars Monitor supports booting an install kernel from CD or DVD media with the `vparload -p partition_name -D disk_index` command. For details, see “vPars Monitor: Using vPars Monitor Commands” (page 131).

Related Information For information on the installation of HP-UX and what is supported for your HP-UX version, see the applicable HP-UX 11i Installation and Update Guide and the HP-UX 11i Release Notes for your OS version.

For information on `swinstall` and software depots, see the manual “Software Distributor Administration Guide for HP-UX”.

For more information on booting and boot devices on PA-RISC systems, see also the paper titled *Booting, Installing, Recovery, and Sharing in a vPars Environment from DVD / CDROM / TAPE / Network* available at:

<http://docs.hp.com/en/vse.html#Virtual%20Partitions>

For information on using the vPars commands, see the following sections in the chapter vPars Monitor and Shell Commands:

- “Managing: Creating a Virtual Partition” (page 151).
- “vPars Monitor: Booting the vPars Monitor” (page 130).
- “Booting a Virtual Partition” (page 154)
- “Shutting Down or Rebooting the nPartition (Or Rebooting the vPars Monitor)” (page 156)

Server Chipset Upgrade The process documented in many of the updates assumes you are not performing a hardware upgrade that causes a change in hardware paths (for example, upgrading from the sx1000 chipset to the sx2000 chipset). For information on upgrading vPars when the upgrade includes a hardware path change, see “Upgrading Integrity Servers from the sx1000 to sx2000 Chipset” (page 110).

Cautions

Hardware Paths on the vPars Command Line

— Hardware Path Differences Between Cellular (nPartitionable) and Non-cellular Systems

The hardware paths for some example system are formatted for non-cellular systems. For cellular systems, their hardware paths contain the prefix of the cell number. Therefore, on non-cellular systems, the path 0/0 refers to a SBA/LBA format. However, on cellular systems, the path 0/0 refers to a cell/SBA format. Read the section “Planning, Installing, and Using vPars with an nPartitionable Server” (page 49) if you are using a cellular system.

— Path Formats on the vPars Command Line

For vPars A.03.01 or earlier, you must explicitly specify the LBA for I/O allocation. Thus, for cellular systems on A.03.01 or earlier, you must use the cell/SBA/LBA format on the command line. If you use only the cell/SBA format the vPars commands *will not* assume that all LBAs under the specified SBA are to be included in the allocation. Doing so may cause the system to panic.

For vPars A.03.02 or later, you can use either the cell/SBA or cell/SBA/LBA format on the command line. The vPars commands *will* assume the command applies to all LBAs under the specified SBA.

Other Considerations

This section covers:

- “Installing Server Firmware on non-nPartitionable Servers” (page 68)
- “Setting the GSP Terminal Type” (page 69)
- “Increase in Size of /stand File System” (page 70)
- “VxFS (Veritas File System) (vPars A.03.xx)” (page 70)

Installing Server Firmware on non-nPartitionable Servers

Installing Firmware for the systems running vPars must be done in a standalone (PA-RISC) or nPars (Integrity) mode. Once in standalone or nPars mode, the procedure for installing firmware on a system with vPars installed is the same as a system without vPars installed. Additional information is shown below. For information on specific firmware versions for your servers, see the *HP-UX Virtual Partitions Ordering and Configuration Guide*.

- **Non-nPartitionable Systems** On the rp5470/L3000 and rp7400/N4000 servers, for firmware patches to take effect in a vPars environment, follow this procedure:
 1. Shut down all the virtual partitions.
 2. Reboot the server into *standalone* mode using the primary path. This consists of the following:

- a. At the MON> prompt, type reboot
- b. If needed, interrupt the boot sequence at the BCH>, and using the primary path, boot/stand/vmunix instead of/stand/vpmon. For example:

```
BCH> bo pri
interact with IPL? y
.
.
.
ISL> hpux /stand/vmunix
```



NOTE: The server must be in standalone mode for the patches to take effect, so do not skip this step.

3. Install the firmware patch as you would in a non-vPars environment. The firmware patch will reboot your server.
4. After the firmware installation has completed, you can boot the vPars Monitor and virtual partitions as you normally would.

For example, if you have not modified your AUTO file in the LIF area to boot the vPars Monitor and virtual partitions, boot the vPars Monitor (for example, ISL> hpux /stand/vpmon) and then the virtual partitions (for example, MON> vparload -auto).

- **Mid-range Servers** Once in standalone or nPars mode, install the server firmware as you normally do.
- **Superdomes (PA-RISC and Integrity)** Upgrading firmware on a Superdome must be performed by Hewlett-Packard qualified service personnel only. Contact your local HP Support Representative to schedule a convenient time for the firmware upgrade service.

Setting the GSP Terminal Type

Note: this section applies only to the rp5470/L3000 and rp7400/N4000 servers. You can skip this section for nPartitionable servers.

The Guardian Service Processor (GSP) provides multiple access methods for the console: the hardware console port, the remote-modem port, and the LAN console port. To avoid mismatches in terminal emulation which can cause strange results on your display, it is important to match the display type as set in the GSP to the display type of the terminal or terminal emulator that you are using. For example:

- If you are using a hardwired HP terminal or a LAN-based terminal emulator of type "hpterm", set the GSP terminal-type setting to hpterm.
- If you are using a LAN-based terminal emulator of type "dtterm" or "xterm", set the GSP terminal-type setting to vt100.

How to Set the GSP Terminal Type

1. Access the GSP through the lan console, the remote-modem port, or a physically connected terminal.
2. Use the CA command at the GSP prompt to modify the console attributes:
GSP> ca
3. Answer "y" (yes) to indicate that you want to change the console port settings:
Do you want to modify the Local Console Serial Port settings? (Y/[N])
y
4. Answer "n" (no) to the questions about modifying the "Serial Port bit rate" and the "Current Flow Control"
Current Local Console Serial Port bit rate: 9600 bits/s
Do you want to modify it? (Y/[N]) n

```
Current Flow Control: Software
Do you want to modify it? (Y/[N]) n
```

5. Indicate which terminal type you want to use, then answer “y” (yes) to confirm your change:

```
Enter Terminal Type ([Vt100] / Hpterm):
New Terminal Type: hpterm
Confirm? (Y/[N]): y
-> Terminal Type will be updated.
```

6. Answer n (no) to the question about updating the “Remote Console Serial Port Modem settings”:

```
Do you want to modify the Remote Console Serial Port Modem settings?
(Y/[N]) n
```

You will see a message indicating the command execution will take a few seconds and then a message indicating that your settings have been updated.

The virtual partitions that you create will use this terminal-type setting for their virtual console displays.



TIP: If you get a garbled display, you can press **Ctrl-L** to refresh the display.

Increase in Size of /stand File System

Due to the vPars files that will exist in /stand, you should increase your planned size of the /stand file system by 100 MB. For example, if you originally had planned to create /stand with 1 GB for your HP-UX instance, you should plan for 1.1 GB when that HP-UX instance resides in a virtual partition.

VxFS (Veritas File System) (vPars A.03.xx)

To avoid hangs on VxFS file systems, install kernel patch PHKL_27121 or its successor on the operating systems of each virtual partition. This patch is available from the IT Resource Center website at <http://itrc.hp.com>.

SecurePath

Before installing the SecurePath product, install the vPars product and create and install all the virtual partitions.



NOTE: The SecurePath product is not supported on HP-UX 11i v3 (11.31). Use the native multipathing available with the HP-UX 11i v3 mass storage stack, as described in the white paper *The Next Generation Mass Storage Stack*. This paper can be found in the Network and Systems Management section of <http://docs.hp.com>, under Storage Area Management.

Bundle Names

You can install vPars on an existing HP-UX installation directly from a depot, DVD, or by using an Ignite-UX server.

vPars Product Bundles

The vPars bundle names are:

Bundle Name	Description
T1335CC	vPars A.05.xx for HP-UX 11i v3
T1335BC	vPars A.04.xx for HP-UX 11i v2

Feature11i	(HP-UX 11i v2 only) Required vPars enablement patches for vPars A.04.xx. This bundle can be obtained from the HP-UX Update OE DVD. When the Feature11i and vPars product bundles are in the same depot, this bundle should be automatically selected when the vPars bundle is selected. For a complete list of required patches, see the <i>HP-UX Virtual Partitions Release Notes</i> .
T1335AC	vPars A.03.xx for HP-UX 11i v1



CAUTION:

Mixing vPars versions within the same nPartition Mixing different vPars versions within the same nPartition is only supported when using the following vPars releases:

- vPars A.05.01 or later with vPars A.04.02 or later. See “Mixed HP-UX 11i v2/v3 vPars Environments in vPars A.05.xx” (page 60).
- vPars A.04.05 or later with vPars A.03.05 or later. See “Mixed HP-UX 11i v1/v2 vPars Environments in vPars A.04.05” (page 58).
- vPars A.05.03 or later with vPars A.04.02 or later and vPars A.03.05 or later. See “Mixed HP-UX 11i v1/v2/v3 vPars Environments in vPars A.05.03” (page 63).

Other than these supported mixed vPars releases, for vPars A.04.xx and A.03.xx, within a vPars environment, all OSs and vPars version must be the same. In other words, vpar1, vpar2, ... vparN must all be running the same OS and vPars software.



NOTE: For information on versions, including vPars version, OS versions, and other product versions required to run with vPars, see the document *HP-UX Virtual Partitions Ordering and Configuration Guide* available at:

<http://docs.hp.com/en/vse.html#Virtual%20Partitions>

vPars-related Bundles (A.03.xx and earlier)

Products related to this release of vPars are:

Bundle Name	Description
B6826AA	Partition Manager for nPartitions (parmgr) (Required for vPars A.03.xx and earlier)
VPARMGR	vPars GUI (vparmgr) for vPars A.03.xx and earlier (Optional)

Installing and Removing vPars-related Bundles

B6826AA (parmgr)

The Partition Manager (parmgr) is required for installation of the vPars A.03.xx and earlier. This is true on both nPartitionable servers as well as non-nPartitionable servers (rp7400/N4000 and rp5470/L3000). It is normal to have this product installed on non-nPartitionable servers.

The Partition Manager (PARMGR) is available at the HP Software Depot website:<http://www.hp.com/go/softwaredepot>

To install the Partition Manager bundle using the vPars CD:

```
# swinstall -s /cdrom B6826AA
```

To remove the Partition Manager product:

```
# /usr/sbin/swremove PartitionManager
```

Note that the Partition Manager product can be removed only *after* the vPars product is removed from a virtual partition.

VPARMGR

(vPars A.03.xx and earlier) The vPars GUI (vparmgr) is not automatically installed when vPars is installed. If you wish to use vparmgr, you need to manually select this bundle during your Software Distributor (SD) or Ignite-UX session or add this bundle to your `swinstall` command line.

VPARMGR is available on the vPars CD and from the HP Software Depot website: <http://www.hp.com/go/softwaredepot>

To install the VPARMGR bundle using the vPars CD:

```
# swinstall -s /cdrom VPARMGR
```

To remove the VPARMGR product:

```
# /usr/sbin/swremove vParManager
```



NOTE: The product VPARMGR is optional.

Installing vPars and the vPars-related Bundles from CD

Below is an example of using the `swinstall` command line to install vPars from the CD:

```
# swinstall -s /cdrom -x autoreboot=true T1335AC
```

To install vPars and the vPars-related bundles:

```
# swinstall -s /cdrom -x autoreboot=true T1335AC VPARMGR B6826AA
```


Setting Up the Ignite-UX Server

If you are having problems with terminal emulation, see also “Ignite-UX and other Curses Applications” (page 22).

For complete information on Ignite-UX, see the document *Ignite-UX Administration Guide*.

Ignite-UX Versions

vPars A.03.xx and A.04.xx have different version requirements. This version information has been moved to the *HP-UX Virtual Partitions Ordering and Configuration Guide*.



NOTE: PA-RISC only: When using **Ignite-UX version C.06.xx or later**, the bootable kernel path has changed from `/opt/ignite/boot/WINSTALL` in Ignite-UX B.05.xx and earlier to `/opt/ignite/boot/Rel_B.11.NN/WINSTALL` in Ignite-UX C.06.xx and later.

Thus, when using Ignite-UX C.06.xx or later, you must specify the absolute path for the bootable kernel for the `vparboot -I` command line. For more information and an example, see “(PA-RISC only) The `WINSTALL` Boot Kernel Paths with Different Versions of Ignite-UX and the `vparboot -I` command” (page 21).

Determining the Ignite-UX Version

To determine which version of Ignite-UX you are running, execute the command similar to:

```
# swlist -l fileset -a revision Ignite-UX.FILE-SRV-11-11
```

Example

If your `swlist` output shows

```
# Initializing...
# Contacting target "rust"...
#
# Target:  rust:/
#
Ignite-UX.FILE-SRV-11-11          B.5.4.50
```

then your Ignite-UX version is B.5.4.50.

Ignite-UX Cookbook

For information on how to install an Ignite-UX server, install HP-UX using Ignite-UX, and recover clients from media or over the network, see the document *Ignite-UX Administration Guide*.



NOTE:

Using `vparboot -p target_partition -I` On both PA-RISC and Integrity, *before* booting a virtual partition for installation (in other words, using `vparboot -p target_partition -I . . .`), be sure that you have specified a boot disk using the `BOOT` attribute (`io:boot_device:BOOT`) for the virtual partition. This is performed during either the initial `vparcreate` or subsequent `vparmodify` commands when configuring the target virtual partition. If you have not specified a boot disk, you will not see the `BOOT` attribute in the `vparstatus -v` output for the target virtual partition:

```
[IO Details]
  0.1
  0.8
  0.3
```

If you have, you will see the `BOOT` attribute in the `vparstatus -v` output:

```
[IO Details]
  0.1
  0.8
  0.3
  0.8.0.0.8.0.110.0.0.0  BOOT
```

PA-RISC

The following is the sequence of events when a `vparboot -I` is issued from an existing virtual partition to boot a target virtual partition:

1. the virtual partition from which the `vparboot` command is run uses `tftp` to obtain `WINSTALL` and `WINSTALLFS`. Note that the network interface card of the target virtual partition (the virtual partition you are attempting to boot) is not used in this step. Neither is `bootp` used.
2. `WINSTALL` and `WINSTALLFS` are transferred to the vPars Monitor.
3. the vPars Monitor places them into the memory of the target virtual partition.
4. the target virtual partition uses `WINSTALL` and `WINSTALLFS` to boot and contacts the Ignite-UX server for the remainder of the installation.

Therefore, you should ensure the following:

- the network interface card that is owned by the virtual partition from which the `vparboot` command is issued allows `tftp` between the Ignite-UX server and this network interface.

You can check the `tftp` connection by verifying that the following works:

```
vpar1# tftp <ignite-ux_server>
tftp> get /opt/ignite/boot/WINSTALL
Received 20495138 bytes in 9.9 seconds
```

- the network interface card of the target virtual partition is able to connect to the Ignite-UX server. This is performed by either:
 - being on the same subnet as the Ignite-UX server
 - entering IP and route information on the Ignite-UX screen that will be displayed on the console during boot
 - contacting a DHCP server (boot helper) to obtain the IP and route information to the Ignite-UX server

Note that only the vPars shell command `vparboot` can be used to boot a subsequent virtual partition for installation (or recovery); the vPars Monitor command `vparload` cannot do this. Thus, you need at least one virtual partition successfully booted to use the `vparboot` command.

Integrity

The following is the sequence of events when a `vparboot -I` is issued from an existing virtual partition to boot a target virtual partition for an Integrity System:



NOTE: vPars A.05.04 supports Directed Lan Boot (DirectBoot) capability. With this feature, you can install to a virtual partition from an Ignite Server which can be in a different subnet. For more information, see the `vparboot(1M)` and `vparadbprofile(1M)` manpages.

1. The vPars Monitor sets the necessary variables such that the EFI shell will execute `alanboot select` from the target virtual partition.
2. `lanboot select` lists the lan cards that are supported for boot that are within the target virtual partition and prompts the user to select one of the listed cards.



NOTE: You will need to switch to the console of the target virtual partition using **Ctrl-A** to see the list of cards.

3. Using the selected card, the target virtual partition performs a network boot and connects to the Ignite-UX server.
4. Once connected, the target virtual partition uses `tftp` to download the bootable kernel and file system `IINSTALL` and `IINSTALLFS`.
5. Then, the target virtual partition uses `IINSTALL` and `IINSTALLFS` to boot and contacts the Ignite-UX server for the remainder of the installation.

Therefore, you should ensure the following:

- The target virtual partition owns a network card that is supported for boot on Integrity. For more information on supported network cards, see the section titled “Networking Cards” in the *HP-UX Virtual Partitions Ordering and Configuration Guide*.
- The selected network interface card (NIC) of the target virtual partition is able to connect to the Ignite-UX server. This is performed by either:
 - being on the same subnet as the Ignite-UX server. Note that in this case, the MAC address of the selected NIC is in the Ignite-UX server’s `/etc/bootptab`.
 - entering IP and route information on the Ignite-UX screen that will be displayed on the console during boot
 - contacting a DHCP server (boot helper) to obtain the IP and route information to the Ignite-UX server. Note that in this case, the MAC address of the selected NIC must be in the boot helper’s `/etc/bootptab`.



CAUTION: `lanboot select` connects to the first Ignite-UX server from which it gets a response. Make sure that the NICs MAC address is registered with only one Ignite-UX server or boot helper in the subnet. If there are more than one Ignite-UX servers in the subnet and if one of them does not contain the latest Ignite-UX software, booting from an incompatible kernel may bring down the entire nPartition.

As on PA-RISC, only the vPars shell command `vparboot` can be used to boot a subsequent virtual partition for installation (or recovery); the vPars Monitor command `vparload` cannot do this. Thus, you need at least one virtual partition successfully booted to use the `vparboot` command.

Updating from vPars A.04.xx to A.05.xx

This section describes how to update an existing A.04.xx vPars on 11iv2 (11.23) environment to a vPars A.05.xx vPars environment on 11iv3 (11.31). For information on vPars and OS versions, see the *HP-UX Virtual Partitions Ordering and Configuration Guide*. For information on the typical time needed to update the OS version, see the *HP-UX 11i v3 Installation and Update Guide*. The process is similar to updating from A.03.xx to A.04.xx.

If you wish to upgrade to a mixed HP-UX 11i v2/v3 vPars environment (vPars A.04.xx/11.23 and vPars A.05.xx/11.31 in the same nPartition), see “Updating from vPars A.04.xx to Mixed HP-UX 11i v2/v3 vPars (A.04.xx and A.05.xx) Environment” (page 96).

This process works only using Update-UX and a corresponding Ignite-UX depot; it does not work by directly using the OE and vPars media. If you wish to install directly from media, you should use the instructions from any of the following:

- “Installing vPars with Ignite-UX on PA-RISC” (page 114)
- “Installing vPars with Ignite-UX on Integrity” (page 116)
- “Installing vPars with Software Distributor ” (page 118)

Update-UX Preparation Steps

The advantages of using Update-UX are 1) you can update both OE and vPars versions simultaneously, so there are fewer reboots, and 2) although you must still reboot the nPartition, you can perform these steps within a vPars environment; you do not need to boot the system into standalone mode.



CAUTION:

Using Update-UX Update-UX allows for both the OE and vPars bundles to be updated in the same session. To simultaneously update both the OE and vPars bundles in the same session, they both must be in the same source depot.

If you update from a depot which does not contain the vPars bundle, your disk will no longer boot in vPars mode. See the *Ignite-UX Administration Guide* and *Using Golden Images with Virtual Partitions* for information on how to setup your Ignite-UX server.



NOTE: Before using the `update-ux` command, make sure you have the latest Update-UX bundle installed for each virtual partition:

```
# swinstall -s source_depot Update-UX
```

After the latest Update-UX bundle has been installed, you can use the `update-ux` command. The syntax is:

```
# update-ux -s source_depot OE_bundle vPars_bundle
```

For example, the command line used in this section is:

- `# update-ux -s depot1:/release/1131/HPUX11i-OE-Ent.DVD HPUX11i-OE-Ent T1335CC`

where

- `depot1:/release/1131/HPUX11i-OE-Ent.DVD` is the source depot
- `HPUX11i-OE-Ent` is the Enterprise OE bundle. The OE bundle name will differ when using a different HP-UX operating environment, as shown in “OE Bundle Names for Update-UX” (page 77).
- `T1335CC` is the vPars A.05.xx bundle.

Because both the OE and vPars bundle are the parameters for `update-ux`, both the OE (including the OS version) and the vPars version are updated in this single step.



NOTE: When using the 11.31 binaries for `update-ux`, there is now a `-p` (preview) option similar to the `swinstall preview` option.

If you are unfamiliar with the Update-UX product or would like information on using or debugging Update-UX, read the HP-UX 11.31 or 11.23 *Installation and Update Guide*. Also, see the applicable Software Distributor and Ignite-UX documents available at <http://docs.hp.com>.

OE Bundle Names for Update-UX

For HP-UX 11i v3, the possible **OE bundles** are listed below.

<code>HPUX11i-OE</code>	Foundation OE
<code>HPUX11i-OE-Ent</code>	Enterprise OE
<code>HPUX11i-OE-MC</code>	Mission Critical OE

When choosing the OE, you should select the same OE that your virtual partition is running. Use the `swlist` command to check which OE you are currently running:

```
# swlist -l bundle | grep -i OE
HPUX11i-OE-Ent          B.11.31 HP-UX Enterprise Operating Environment
```

This shows that you are running an **Enterprise OE**.

The Update Process: Goal

In the example below, we begin with three virtual partitions, all running vPars A.04.01:

- the first partition `keira1` running vPars A.04.01 (on 11.23)
- the second partition `keira2` running vPars A.04.01 (on 11.23)
- the third partition `keira3` running vPars A.04.01 (on 11.23)

The *first virtual partition* is defined as the virtual partition that owns the boot disk from which the vPars Monitor was booted; you can use the `vparstatus -m` and `vparstatus -v` commands to determine which virtual partition this is.

We wish to update to the following:

- `keira1` running A.05.01 (on 11.31)
- `keira2` running A.05.01 (on 11.31)
- `keira3` running A.05.01 (on 11.31)

The Update Process

To update vPars from A.04.xx to A.05.xx, follow the process below. The following steps should be done **from the console**:

1. Make sure that all the virtual partitions are up.

You can check this with `vparstatus`.

Example:

```
keiral# vparstatus
[Virtual Partition]
```

Virtual Partition Name	State	Attributes	Kernel Path	Boot Opts
keiral	Up	Dyn,Auto,Nsr	/stand/vmunix	
keira2	Up	Dyn,Manl,Nsr	/stand/vmunix	
keira3	Up	Dyn,Auto,Nsr	/stand/vmunix	

- Record the current autoboot and autosearch settings of all the virtual partitions. The update process sets autoboot to manual, so you will need to restore these settings later.

To find the current settings, use `vparstatus`.

Example:

```
keiral # vparstatus
[Virtual Partition]
```

Virtual Partition Name	State	Attributes	Kernel Path	Boot Opts
keiral	Up	Dyn,Auto,Nsr	/stand/vmunix	
keira2	Up	Dyn,Manl,Nsr	/stand/vmunix	
keira3	Up	Dyn,Auto,Nsr	/stand/vmunix	

- Install the latest Update-UX bundle onto each virtual partition (use **Ctrl-A** to switch between consoles).

Note that this does not update the operating system, only the Update-UX bundle.

Example:

```
keiral # swinstall -s depot1:/release/1131/HPUX11i-OE-Ent.DVD Update-UX
keira2 # swinstall -s depot1:/release/1131/HPUX11i-OE-Ent.DVD Update-UX
keira3 # swinstall -s depot1:/release/1131/HPUX11i-OE-Ent.DVD Update-UX
```

- For each virtual partition, except the first virtual partition, use Update-UX to install the latest OE and vPars bundle. These updates can occur in parallel, although this is not required.

Although you can update all the virtual partitions, including the first virtual partition, in parallel, by leaving the first virtual partition up until all the updates for the other virtual partitions are complete, it allows you to use the first virtual partition to verify the processing and status of the other virtual partitions.

Example:

```
keira2 # update-ux -s depot1:/release/1131/HPUX11i-OE-Ent.DVD HPUX11i-OE-Ent T1335CC
keira3 # update-ux -s depot1:/release/1131/HPUX11i-OE-Ent.DVD HPUX11i-OE-Ent T1335CC
```



NOTE: Be sure that both the OE and vPars bundles are specified on the update-ux command line.

When using Update-UX to update vPars, you must update in this manner, in which case you are updating *both* the OS and vPars version with the same command line.

- After the all updates for the above virtual partitions have completed, use Update-UX to install the latest OE and vPars bundle to the first virtual partition.

Use the `update-ux` command.

Example:

```
keiral # update-ux -s depot1:/release/1131/HPUX11i-OE-Ent.DVD HPUX11i-OE-Ent T1335CC
```

Although you can do all the updates in parallel, you need to make sure that all of the other virtual partition updates have successfully performed the updating to the point of halting. In the next step, the entire nPartition will be rebooted; if the other virtual partitions are still in progress of updating, the OS instances may be in an unknown state.



NOTE: If the BOOT and ALTBOOT disks are a mirrored pair, updating is not required on the ALTBOOT disk. Otherwise, if you wish to have the alternate boot disk up dated, after updating the OS on the primary boot path disk, boot the virtual partitions from the alternate path boot disk and repeat the update-ux procedure. For example, if keira2 has an alternate boot disk that is not a mirror of the primary boot disk, and you wish to update the OS on the alternate boot disk, boot keira2 from the alternate boot path using:

```
MON> vparload -p keira2 -B ALT
```

and repeat the update-ux procedure:

```
keira2# update-ux -s depot1:/release/1131/HPUX11i-OE-Ent.DVD HPUX11i-OE-Ent T1335CC
```

6. Reboot the nPartition to ISL> or EFI.
Use the reboot command from the vPars Monitor.

Example:

```
MON> reboot
```



NOTE: At this point, you need to reboot the nPartition from the MON> prompt, not just the virtual partition. By rebooting the nPartition, you can load the new vPars Monitor in the next step.

7. If needed (depending upon how your nPartition's autoboot configuration is set up), interrupt the nPartition boot process and load the vPars Monitor.

The command sequences for loading the vPars Monitor differ on the BCH (on PA-RISC) and EFI Shell (on HP Integrity) interfaces.

Example for PA-RISC:

```
BCH> bo pri
interact with IPL: y
ISL> hpux /stand/vpmon
```

Example for Integrity:

```
Shell> fs0:
fs0:\> hpux
HPUX> boot vpmon
```

8. Boot the virtual partitions.
Use the vparload -all vPars Monitor command.

Example:

```
MON> vparload -all
```

When the virtual partitions are booted, they will continue and complete their update processes (the virtual partitions can be booted in any order). After this is completed, you should arrive at the login: prompt for each virtual partition. Login as root and continue to the next step.

9. Turn autoboot and autosearch settings back to their original settings that you recorded earlier above.

Use the vparmodify command.

Example:

```
keira1 # vparmodify -p keira1 -B auto
keira1 # vparmodify -p keira1 -B nosearch
keira1 # vparmodify -p keira2 -B manual
keira1 # vparmodify -p keira2 -B nosearch
```

```
keira1 # vparmodify -p keira3 -B auto
keira1 # vparmodify -p keira3 -B nosearch
```

10. The virtual partitions should now be running the latest vPars version. To verify this, you can login to each virtual partition and use the `vparstatus` command with the `-P` option:

Example:

```
keira1# vparstatus -P
Current Virtual Partition Version: A.05.01
Monitor Version: A.05.01
```

```
[Virtual Partition OS Version]
Virtual Partition Name      OS Version State
=====
keira1                      B.11.31      Up
keira2                      B.11.31      Up
```



NOTE: vPars A.04.xx uses only base memory; therefore, when updating to vPars A.05.xx from A.04.xx, all memory will be converted as base memory. To convert the base memory to float memory, see “Memory: Converting Base Memory to Float Memory” (page 190).

Updating from vPars A.03.xx to Mixed HP-UX 11i v1/v2 vPars (A.03.05 and A.04.05) Environment

This section describes how to update an existing vPars A.03.xx environment to a mixed HP-UX 11i v1/v2 vPars environment. A mixed HP-UX 11i v1/v2 vPars environment contains both vPars A.03.05/11.11 and A.04.05/11.23 virtual partitions in the same nPartition.

If you wish to upgrade to a mixed HP-UX 11i v1/v2/v3 vPars environment (vPars A.03.xx, vPars A.04.xx, and vPars A.05.xx in the same nPartition), see “Migrating from vPars A.03.xx to Mixed HP-UX 11i v1/v2/v3 vPars (A.03.05, A.04.02 or later, A.05.03)” (page 94).



CAUTION:

Designated-Admin Feature and Mixed HP-UX 11i v1/v2 vPars Environments In a mixed HP-UX 11i v1/v2 environment, configure only virtual partitions containing vPars A.04.05 as designated-admin virtual partitions. Within a mixed HP-UX 11i v1/v2 vPars environment, only the virtual partitions containing vPars A.04.05 can modify other virtual partitions via the `vparmodify` command, and only virtual partitions containing vPars A.04.05 can use `vparcreate` and `vparremove` to create and remove other virtual partitions. If you use the designated-admin feature and configure only virtual partitions containing vPars A.03.05 as designated-admin virtual partitions, no virtual partition will be able to modify other virtual partitions.



NOTE: In a mixed HP-UX 11i v1/v2 vPars environment, all HP-UX 11i v1 virtual partitions must be updated to vPars A.03.05, and all HP-UX 11i v2 vPars must be updated to vPars A.04.05.

For information on the typical time needed to update the HP-UX version, see the *HP-UX 11i v2 Installation and Update Guide*.

For information on vPars and HP-UX versions, see the *HP-UX Virtual Partitions Ordering and Configuration Guide*.

For information on using a mixed HP-UX 11i v1/v2 vPars environment, see “Mixed HP-UX 11i v1/v2 vPars Environments in vPars A.04.05” (page 58).

Note that this process works only using Update-UX and a corresponding Ignite-UX depot; it does not work by directly using the OE and vPars media. If you wish to install directly from media, you should use the instructions from any of the following sections:

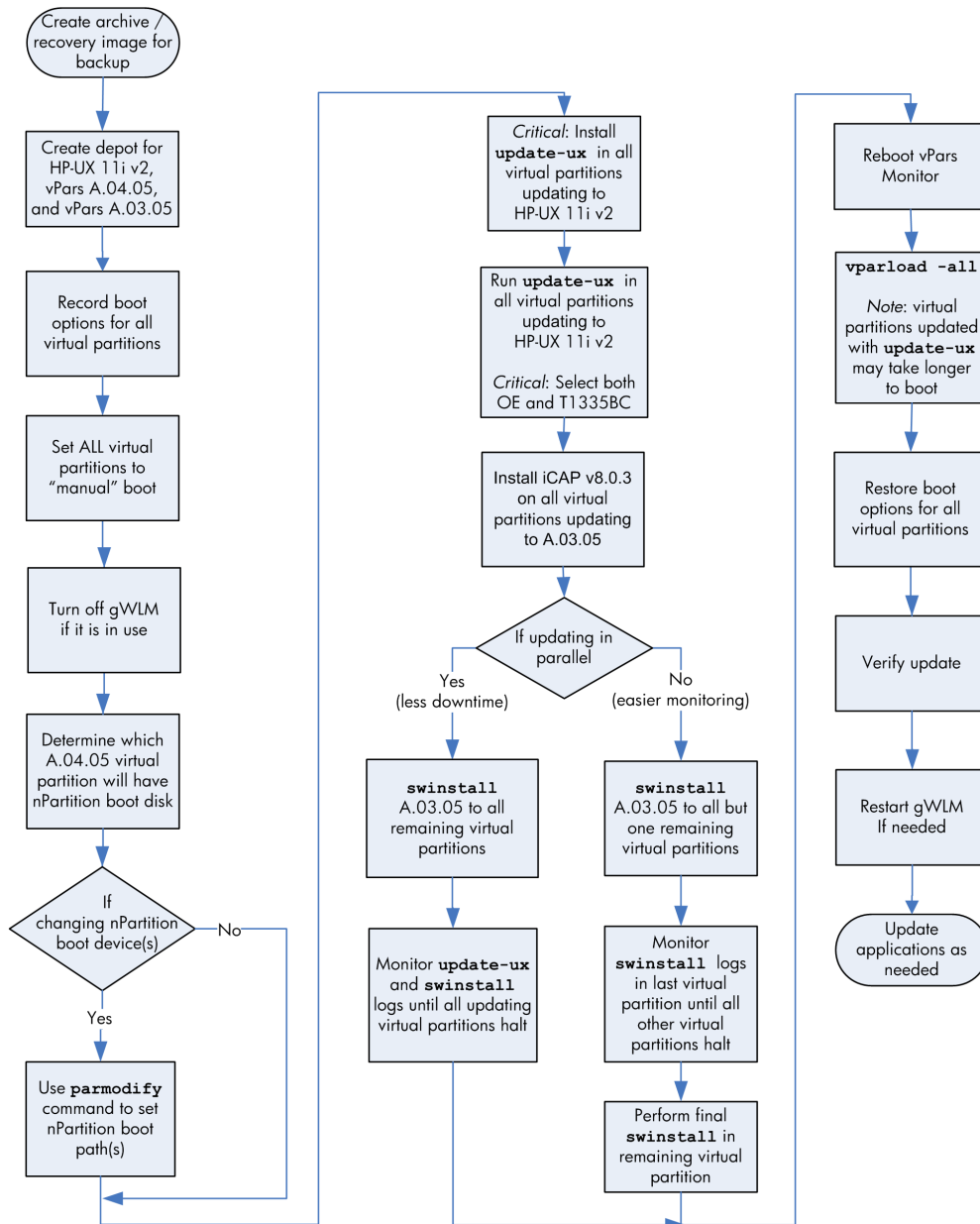
- “Installing vPars with Ignite-UX on PA-RISC” (page 114)
- “Installing vPars with Ignite-UX on Integrity” (page 116)
- “Installing vPars with Software Distributor ” (page 118)

Overview of the Mixed HP-UX 11i v1/v2 vPars Environment Update Process

This section provides a high-level overview of the process for updating from a vPars A.03.xx environment to a mixed HP-UX 11i v1/v2 vPars environment. For details and examples of the update process see “The Update Process for Mixed HP-UX 11i v1/v2 vPars Environments: Step by Step Details” (page 87).

Figure 4-1 shows an overview of the update process for migrating an HP-UX 11i v1 vPars environment to a mixed HP-UX 11i v1/v2 vPars environment. For details see High-Level Description of the Mixed HP-UX 11i v1/v2 vPars Environment Update Process (page 83) and “The Update Process for Mixed HP-UX 11i v1/v2 vPars Environments: Step by Step Details” (page 87).

Figure 4-1 Overview of Update Process for Mixed HP-UX 11i v1/v2 vPars Environment



High-Level Description of the Mixed HP-UX 11i v1/v2 vPars Environment Update Process The following list gives a high-level description of the process shown in Figure 4-1. After backing up all virtual partitions and establishing a depot with the required HP-UX OE and vPars versions, the steps are as follows. For details and examples see “The Update Process for Mixed HP-UX 11i v1/v2 vPars Environments: Step by Step Details” (page 87).

1. Make sure that all the virtual partitions are up.
2. Record the current autoboot and autosearch settings of all the virtual partitions.
3. Change the autoboot setting to manual for all virtual partitions.
This step is critical, to avoid automatically rebooting into the wrong vPars Monitor.
4. Disable (undeploy) gWLM if it is in use.
5. Determine if it will be necessary to change the PRI boot path for the nPartition and record the path details.
 - a. Find the nPartition partition number and the PRI boot path for the current nPartition.
 - b. Find the boot path of the boot disk of a future vPars A.04.05 virtual partition.
6. If it is necessary to change the PRI boot path for the nPartition, do so now using the `parmodify` command from HP-UX running on any of the virtual partitions.
Because the vPars Monitor is loaded from the first virtual partition (whose disk is specified by the PRI path), the PRI disk must be installed with vPars A.04.05.
7. Install the latest and OS-applicable Update-UX bundle onto each virtual partition that will be updating the HP-UX Operating Environment—including all virtual partitions updating to HP-UX 11i v2 and vPars A.04.05.
8. For each virtual partition that is updating to HP-UX 11i v2 and vPars A.04.05, use Update-UX to install the latest OE and vPars bundle.
The updated virtual partitions *must not be rebooted at this point*—keep the systems halted while other virtual partitions are being updated. Rebooting to the new vPars Monitor occurs later, after all virtual partitions have completed the software loading phase and have halted.
9. Install iCAP v8.03 on all HP-UX 11i v1 virtual partitions updating to vPars A.03.05.
iCAP v8.03 is required before installing vPars A.03.05.
10. Determine whether to update the remaining virtual partitions in parallel (concurrently with the HP-UX 11i v2 and vPars A.04.05 updates) or stagger the remaining updates (wait for the HP-UX 11i v2 and vPars A.04.05 updates to complete).
11. Update the remaining virtual partitions to vPars A.03.05.

- The update steps will depend on whether you do a parallel update or a staggered update.
- If updating all virtual partitions *in parallel*, then perform the following steps.
 - On all remaining virtual partitions:
 - If the OE must also be updated, use Update-UX to install the latest OE and the vPars A.03.05 bundle to the virtual partition.
 - If only the vPars bundle needs to be updated, use `swinstall` to install vPars A.03.05.
 - Wait for the vPars A.03.05 updates to complete.
Monitor the installation logs (such as the `/var/adm/sw/swagent.log` file or `swinstall.log` file) until the virtual partitions halt.
 - If updating in a *staggered* manner, then perform the following steps
 - Wait for the HP-UX 11i v2 and vPars A.04.05 updates to complete.
 - After the vPars A.04.05 updates complete, update *all but one* of the remaining virtual partitions to vPars A.03.05.

- Wait for the vPars A.03.05 update to complete on all but the last virtual partition. Monitor the installation logs (such as the `/var/adm/sw/swagent.log` file or `swinstall.log` file) until the virtual partitions halt.
 - *On the last virtual partition*, update the HP-UX Operating Environment, if needed, and update the vPars bundle.
12. Make sure that all virtual partition updates have successfully completed to the point of halting, then reboot the nPartition (**reboot** from the vPars Monitor).
 13. Interrupt the nPartition boot process as needed and load the vPars A.04.05 Monitor.
 14. Boot all virtual partitions (**vparload -all** from the vPars Monitor).
 15. Turn autoboot and autosearch settings back to their original settings that you recorded previously.
 16. Verify the virtual partition configurations.
 17. Verify the correct vPars Monitor has been booted.
 18. Restart gWLM if needed.

Following the mixed HP-UX 11i v1/v2 vPars update, perform any application updates as needed.

Update-UX Primer

The advantages of using Update-UX are 1) you can update both OE and vPars versions simultaneously, so there are fewer reboots, and 2) although you must still reboot the nPartition, you can perform these steps *within* a vPars environment; you do not need to boot the system into standalone mode.



CAUTION:

Using Update-UX Update-UX allows for both the OE and vPars bundles to be updated in the same session. To simultaneously update both the OE and vPars bundles in the same session, they both must be in the same source depot.

If you update from a depot which does not contain the vPars bundle, your disk will no longer boot in vPars mode. See the *Ignite-UX Administration Guide* and *Using Golden Images with Virtual Partitions* for information on how to setup your Ignite-UX server.



NOTE: Before using the `update-ux` command, make sure you have the latest Update-UX bundle installed for each virtual partition:

```
# swinstall -s source_depot Update-UX
```

NOTE: If you are unfamiliar with the Update-UX product or would like information on using or debugging Update-UX, read the HP-UX 11.11 or 11.23 *Installation and Update Guide*. Also, see the applicable Software Distributor and Ignite-UX documents available at <http://docs.hp.com>.

After the latest Update-UX bundle has been installed, you can use the `update-ux` command, the syntax is:

```
# update-ux -s source_depot OE_bundle vPars_bundle other_bundles
```

For example, the command line used in this section is:

```
# update-ux -s depot1:/release/1123/HPUX11i-OE-Ent.DVD HPUX11i-OE-Ent T1335BC
```

where:

- `depot1:/release/1123/HPUX11i-OE-Ent.DVD` is the source depot
- `HPUX11i-OE-Ent` is the OE bundle
- `T1335BC` is the vPars A.04.xx bundle

Because both the OE and vPars bundle are the parameters for `update-ux`, both the OE (including the OS version) and the vPars version are updated in this single step.



NOTE: Before performing the update, you should verify that all of the target virtual partitions meet the HP-UX 11.23 requirements as documented in the HP-UX 11.23 *Read Before Installing or Updating* document. One example of a possible issue is file system size. The `update-ux` command will ensure that there is sufficient space before allowing an update:

- `/usr`: 400000 kbytes free
- `/opt`: 1300000 kbytes free
- `/`: 200000 kbytes free
- `/stand`: 80000 kbytes total, and 49595 kbytes free
- `/var`: 900000 kbytes free

For details see also the *HP-UX 11i v2 Installation and Update Guide*.

OE Bundle Names for Update-UX

For HP-UX 11i v2, the possible OE bundles are:

HPUX11i-OE	Foundation OE
HPUX11i-OE-Ent	Enterprise OE

When choosing the OE, you should select the same OE that your virtual partition is running. Use the `swlist` command to check which OE the virtual partition is running is currently running:

```
# swlist -l bundle | grep -i OE
HPUX11i-OE-MC            B.11.11.0612    HP-UX Mission Critical Operating Environment Component
```

This shows the virtual partition is running a Mission Critical OE.

vPars Bundle Names for Update-UX

For vPars, the possible vPars bundles are:

T1335AC vPars A.03.xx bundle

T1335BC vPars A.04.xx bundle

In a mixed HP-UX 11i v1/v2 vPars environment, the virtual partitions running A.03.xx must be running version A.03.05 or later. Therefore, the “Revision” field in the depot should be A.03.05 or greater. Using `swlist`, we can find the revision number for the vPars A.03.xx bundle on the depot.

```
# swlist -d @ depot1:/release/1111/HPUX11i-OE-Ent.DVD | grep T1335AC
T1335AC            A.03.05.02        HP-UX Virtual Partitions
```

Likewise, in a mixed HP-UX 11i v1/v2 vPars environment, the virtual partitions running A.04.xx must be running version A.04.05 or later. Therefore, the “Revision” field in the depot should be A.04.05 or greater. Use the `swlist` command to find the revision number for the vPars A.04.xx bundle on the depot.

Changing nPartition Boot Paths To Boot the vPars A.04.xx Monitor



CAUTION: To boot a mixed HP-UX 11i v1/v2 vPars environment, you must boot a vPars A.04.05 or later vPars Monitor.



NOTE: To change the nPartition’s PRI boot path, you cannot use `setboot` from within a virtual partition; using `setboot` within a virtual partition changes only the virtual partition’s primary path entry in the vPars database.

You can use `parmodify` to change the nPartition boot path, or you can make the change at the Boot Console Handler (BCH) PA-RISC firmware interface.

Using `parmodify` to change the nPartition PRI boot path to point to a vPars A.04.05 boot disk is the method used in “Overview of the Mixed HP-UX 11i v1/v2 vPars Environment Update Process” (page 82) and “The Update Process for Mixed HP-UX 11i v1/v2 vPars Environments: Step by Step Details” (page 87).

You can configure boot options for an nPartition by using the `/usr/sbin/parmodify` command from the HP-UX command line in any virtual partition in the nPartition.

The format for changing nPartition boot paths using `parmodify` is as follows:

```
parmodify -p partitionNumber [-b priPath] [-t haaPath] [-s altPath]
```

where:

- *partitionNumber* is the nPartition to be modified. You can use the `parstatus -w` command to list the local nPartition number.
- *priPath* is the primary boot path (PRI on HP 9000 servers, or the first item in the boot options list on HP Integrity servers).
- *haaPath* is the secondary boot path (the HAA boot path on HP 9000 servers, or the second item in the boot options list on HP Integrity servers).
- *altPath* is the alternate boot path (ALT on HP 9000 servers, or the third item in the boot options list on HP Integrity servers).

The Update Process for Mixed HP-UX 11i v1/v2 vPars Environments: Step by Step Details

This section describes how to update a vPars A.03.xx environment to a mixed HP-UX 11i v1/v2 vPars environment running vPars A.03.05 and A.04.05.

The Update Process: Goal In the examples used in this section, we begin with three virtual partitions, all running vPars A.03.02:

- The first partition, `azure1`, is running vPars A.03.02 (on 11.11).
- The second partition, `azure2`, is running vPars A.03.02 (on 11.11).
- The third partition, `azure3`, is running vPars A.03.02 (on 11.11).

We wish to update to the following:

- `azure1` running vPars A.04.05 (on 11.23).
- `azure2` running vPars A.03.05 (on 11.11).
- `azure3` running vPars A.04.05 (on 11.23).

The *first virtual partition* is defined as the virtual partition that owns the boot disk from which the vPars Monitor was booted. You can use the `vparstatus -m` and `vparstatus -v` commands to determine which virtual partition this is. When upgrading to a mixed HP-UX 11i v1/v2 vPars environment, the first virtual partition must have vPars A.04.05 installed.

Procedure 4-2 Update Process for Mixed HP-UX 11i v1/v2 vPars Environments

The following steps should be done from the vPars console after backing up all virtual partitions and establishing a depot with the required HP-UX OE and vPars versions.

1. Make sure that all the virtual partitions are up.

You can check this with the `vparstatus` command.

```
azure1# vparstatus
[Virtual Partition]

Virtual Partition Name      State Attributes  Kernel Path      Boot
=====
azure1                      Up    Dyn,Auto,Nsr  /stand/vmunix
azure2                      Up    Dyn,Man1,Nsr  /stand/vmunix
azure3                      Up    Dyn,Auto,Nsr  /stand/vmunix
```

2. Record the current autoboot and autosearch settings of all the virtual partitions.

You will need to restore these settings later. To find the current settings, use `vparstatus`.

```
azure1 # vparstatus
[Virtual Partition]

Virtual Partition Name      State Attributes  Kernel Path      Boot
=====
azure1                      Up    Dyn,Auto,Nsr  /stand/vmunix
azure2                      Up    Dyn,Man1,Nsr  /stand/vmunix
azure3                      Up    Dyn,Auto,Nsr  /stand/vmunix
```

`Auto` indicates autoboot is set, `Man1` indicates manual boot is set, and `Nsr` indicates “no search”.



TIP: In this example, we are updating all the virtual partitions. However, if you have virtual partitions that already meet the mixed HP-UX 11i v1/v2 vPars requirements (vPars A.03.05 or later) and are not updating those virtual partitions, you can skip the update steps for those virtual partitions.

3. Change the autoboot setting to manual for all virtual partitions.

Use the `vparmodify -p vparname -B manual` command, where `vparname` is the name of the virtual partition.

This step must be performed to avoid automatically rebooting into the wrong vPars Monitor.

4. If gWLM is in use, disable (undeploy) gWLM's management of resources in all virtual partitions.

gWLM is supported *with restrictions* in mixed HP-UX 11i v1/v2 vPars environments, as of the first release of vPars A.03.05 and vPars A.04.05. For details on gWLM restrictions, see "Features of Mixed HP-UX 11i v1/v2 vPars Environments" (page 58).

For details on how to disable gWLM, see *Getting Started with HP Integrity Essentials Global Workload Manager* and reference the "Stop Managing an SRD" (shared resource domain) procedure.

5. Determine if you need to change the PRI boot path and record the necessary boot path details.

If the current nPartition's PRI boot path currently points to a virtual partition that will be updated to only A.03.05 and not A.04.05, you will need to change the nPartition's PRI boot path such that it points to the boot disk of a virtual partition that will be updated to A.04.05.

For more information, see "Changing nPartition Boot Paths To Boot the vPars A.04.xx Monitor" (page 86).

In this example, the first virtual partition `azure1` is being updated to vPars A.04.05, so we would not need to change the nPartition PRI boot path and can proceed to the next step. However, if `azure1` were being updated to only A.03.05, then we would need to change the nPartition's PRI boot path to the boot disk of a virtual partition that is being updated to vPars A.04.05.

To record the necessary boot path details, perform the following steps:

- a. Find and record the nPartition number for the current nPartition.

Use the `parstatus -w` command from any virtual partition.

```
azure1# parstatus -w
The local partition number is 0.
```

In this example, the nPartition number is 0. Record this information.

- b. Find the boot path of the boot disk of a future vPars A.04.05 virtual partition. This boot path will become the nPartition's new PRI boot path.

Use the `vparstatus -v -p vparname` command from any virtual partition.

In the following example, we find the boot path of `azure3`, which is being updated to vPars A.04.05 and thus could serve as the *first virtual partition* (the one that owns the boot disk from which the vPars Monitor is booted).

```
azure1# vparstatus -v -p azure3
...
[IO Details]
 0.0.6
 0.0.6.0.0.5.0 BOOT
```

The `BOOT` attribute identifies the boot path for the virtual partition `azure3` as `0.0.6.0.0.5.0`. Record this information.

The next step changes the PRI boot path for the nPartition.

6. If you need to change the PRI boot path for the nPartition, follow the procedure below. Otherwise, proceed to the next step.

The nPartition's PRI boot path must point to the boot disk of a vPars A.04.05 virtual partition.

Use the `parmodify` command from HP-UX running on any of the virtual partitions in the nPartition to change the nPartition PRI boot path.

```
parmodify -p partitionNumber -b priPath
```

where `partitionNumber` is the nPartition number recorded earlier, and `priPath` is the boot path, selected earlier, of a virtual partition that will have vPars A.04.05 installed.



TIP: The `parmodify` command requires major path components to be separated with a slash (/). For example, `0.0.6.0.0.5.0` would be specified as `0/0/6/0/0.5.0` when using `parmodify`.

7. Install the latest and OS-applicable Update-UX bundle onto each virtual partition that will be updating the HP-UX Operating Environment—including all virtual partitions updating to HP-UX 11i v2 and vPars A.04.05.

This does not update the operating system, only the Update-UX bundle.

Use **Ctrl-A** to switch between consoles.

To list the current Update-UX bundle, use the `swlist` command. For example:

```
azure2 # swlist -l product | grep Update
```

If necessary to update the Update-UX bundle, use the `swinstall` command.

Example where target OS will be HP-UX 11.23

```
azure1 # swinstall -s depot1:/release/1123/HPUX11i-OE-Ent.DVD Update-UX  
Ctrl-A
```

```
azure3 # swinstall -s depot1:/release/1123/HPUX11i-OE-Ent.DVD Update-UX
```

Example where target OS will be HP-UX 11.11

```
azure2 # swinstall -s depot1:/release/1111/HPUX11i-OE-Ent.DVD Update-UX
```

8. Use Update-UX to install the latest OE and vPars bundle on each virtual partition that is updating to HP-UX 11i v2 and vPars A.04.05



CAUTION:

Using Update-UX Update-UX allows for both the OE and vPars bundles to be updated in the same session. To simultaneously update both the OE and vPars bundles in the same session, they both must be in the same source depot.

If you update from a depot which does not contain the vPars bundle, your disk will no longer boot in vPars mode. See the *Ignite-UX Administration Guide* and *Using Golden Images with Virtual Partitions* for information on how to setup your Ignite-UX server.

In the following example the target OS will be HP-UX 11.23 (the `HPUX11i-OE-Ent` Enterprise OE bundle) and vPars will be updated to vPars A.04.05 (the `T1335BC` bundle).

```
azure3 # update-ux -s depot1:/release/1123/HPUX11i-OE-Ent.DVD HPUX11i-OE-Ent T1335BC
```



NOTE: The update virtual partitions must not be rebooted at this point. Once the update completes, keep the systems halted while other virtual partitions are being updated.

9. Install iCAP v8.03 on all HP-UX 11i v1 virtual partitions that are updating to vPars A.03.05. iCAP v8.03 must be installed before vPars A.03.05 is installed. For details see the *HP Instant Capacity User's Guide for Versions 8.x*.



NOTE: If you are updating to vPars A.03.05, or configuring a mixed 11i v1/v2 vPars environment, you must install iCAP version 8.03 (B.11.11.08.03.00) on each HP-UX 11i v1 virtual partition. This will also install the required versions of WBEM and NParProvider and necessary patches.

Installing iCAP 8.03 onto an HP-UX 11i v1 system running versions of vPars prior to A.03.05 will exhibit an error message which can be ignored, and you can proceed with updating the vPars software. After the vPars installation (which includes halting every virtual partition and rebooting the nPartition to the new vPars A.04.05 Monitor), you must go to each HP-UX 11i v1 virtual partition and run the command `swconfig -v B9073BA` to complete the iCAP installation.

10. Decide whether to perform the remaining updates in parallel or to stagger the updates.

Updating in parallel involves updating concurrently with the HP-UX 11i v2 and vPars A.04.05 updates. A parallel update of the virtual partitions can reduce the total downtime resulting from the updates.

Staggering updates involves waiting for the HP-UX 11i v2 and vPars A.04.05 updates to complete before updating virtual partitions to vPars A.03.05. A staggered approach to updating enables you to better monitor the update process from the last virtual partition before it is updated.

11. Update the remaining virtual partitions to vPars A.03.05.

How you perform the remaining updates will depend on whether you are doing parallel or staggered updates.

a. If updating all virtual partitions *in parallel* then perform the following steps.

i. On all remaining virtual partitions:

- If the HP-UX Operating Environment must also be updated, use Update-UX to install the latest OE and the vPars A.03.05 bundle to the virtual partition.

In the following example the target OS will be HP-UX 11.11 (the HP-UX 11.11 - OE - Ent Enterprise OE bundle) and vPars will be updated to vPars A.03.05 (the T1335AC bundle).

```
azure2 # update-ux -s depot1:/release/1111/HP-UX11i-OE-Ent.DVD HP-UX11i-OE-Ent T1335AC
```

- If only the vPars bundle needs to be updated, use the `swinstall` command to install vPars A.03.05.

In the following example vPars will be updated to vPars A.03.05 (the T1335AC bundle).

```
azure2 # swinstall -s depot1:/release/1111/VirtualPartitions T1335AC
```

ii. Wait for the vPars A.03.05 update process to complete.

Monitor the installation logs until the virtual partitions halt.

To monitor the log files, first login to the virtual partition being updated (for example, use `telnet`) and then use the `tail -f` command to view the current installation status being written to the `/var/adm/sw/swagent.log` file or `swinstall.log` file.

b. If updating virtual partitions *in a staggered manner*, then perform the following steps.

i. Wait for the HP-UX 11i v2 and vPars A.04.05 updates to complete.

ii. After the vPars A.04.05 updates complete, update *all but one* of the remaining virtual partitions to vPars A.03.05.

If possible, select a virtual partition that requires only vPars A.03.05 (and not also an OE update) to be the “last virtual partition”, which will be the last one to be updated and will be used to monitor progress of the other virtual partition updates.

On all virtual partitions *except the last virtual partition*:

- If the OE must also be updated, use Update-UX to install the latest OE and the vPars bundle to the virtual partition.
- If only the vPars bundle needs to be updated, use `swinstall` to install vPars A.03.05.

iii. Wait for the vPars A.03.05 updates to complete on all but the last virtual partition.

Monitor the installation logs until the virtual partitions halt.

To monitor the log files, first login to the virtual partition being updated (for example, use `telnet`) and then use the `tail -f` command to view the current installation status being written to the `/var/adm/sw/swagent.log` file or `swinstall.log` file.

iv. On the last virtual partition, update the HP-UX Operating Environment, if needed, and update the vPars bundle.

- If the OE must also be updated, use Update-UX to install the latest OE and the vPars bundle to the virtual partition.
- If only the vPars bundle needs to be updated, use `swinstall` to install vPars A.03.05.
- On the last virtual partition, wait for the vPars A.03.05 update to complete.

Monitor the installation progress until the virtual partitions halt.

To monitor the log files, first login to the virtual partition being updated (for example, use `telnet`) and then use the `tail -f` command to view the current installation status being written to the `/var/adm/sw/swagent.log` file or `swinstall.log` file.

12. Make sure that all virtual partition updates have successfully completed to the point of halting, then reboot the nPartition.

```
MON> reboot
```



NOTE: At this point, you need to reboot the nPartition from the `MON>` prompt, not just the virtual partition. By rebooting the nPartition, you can load the new vPars Monitor.

13. Load the vPars Monitor.

The need to do this depends upon how your nPartition's autoboot configuration is set up (that is, whether `/stand/vmunix` or `/stand/vpmon` is loaded by default).

```
BCH> bo pri  
interact with IPL: y  
ISL> hpux /stand/vpmon
```

14. Boot the virtual partitions.

```
MON> vparload -all
```

When the virtual partitions are booted, they will continue and complete their update processes (the virtual partitions can be booted in any order). After this is completed, you should arrive at the login prompt for each virtual partition. Login as `root` and continue to the next step.

15. Turn autoboot and autosearch settings back to their original settings that you recorded previously.

```
azure1 # vparmodify -p azure1 -B auto  
azure1 # vparmodify -p azure1 -B nosearch  
azure1 # vparmodify -p azure2 -B manual  
azure1 # vparmodify -p azure2 -B nosearch  
azure1 # vparmodify -p azure3 -B auto  
azure1 # vparmodify -p azure3 -B nosearch
```

16. Verify the virtual partition configurations.

To confirm the state of the system you can use various commands (`vparstatus`, `ddf`, `lvlboot`, `swverify`) and log files (`/var/adm/sw/swagent.log` or `swinstall.log`).

The virtual partitions should now be running the latest vPars version. To verify this, you can login to each virtual partition and use the `vparstatus` command with the `-P` option.

```
azure1# vparstatus -P  
Current Virtual Partition Version:  A.04.05  
Monitor Version:  A.04.05
```

```
[Virtual Partition OS Version]  
Virtual Partition Name      OS Version State  
===== =====  
azure1                      B.11.23      Up  
azure2                      B.11.11      Up  
azure3                      B.11.23      Up
```

```
azure2# vparstatus -P  
Current Virtual Partition Version:  A.03.05  
Monitor Version:  A.04.05
```

```
[Virtual Partition OS Version]  
Virtual Partition Name      OS Version State  
===== =====
```

```

azure1                B.11.23    Up
azure2                B.11.11    Up
azure3                B.11.23    Up

```

```

azure3# vparstatus -P
Current Virtual Partition Version:  A.04.05
Monitor Version:  A.04.05

```

```

[Virtual Partition OS Version]
Virtual Partition Name      OS Version State
=====
azure1                    B.11.23    Up
azure2                    B.11.11    Up
azure3                    B.11.23    Up

```

17. Verify the correct vPars Monitor has been booted.

If you changed the nPartition's PRI boot path, you can also verify that the vPars Monitor has been booted from the correct boot disk:

```

azure3# vparstatus -m
Console path: No path as console is virtual
Monitor boot disk path: 0.0.6.0.0.5.0
Monitor boot filename: /stand/vpmon
Database filename: /stand/vpdb
...

```

The boot disk path shown is from a vPars A.04.05 virtual partition.

18. Restart gWLM if needed.

If you disabled (undeployed) gWLM earlier in the update process, you can restart it now. gWLM is supported *with restrictions* in mixed HP-UX 11i v1/v2 vPars environments. For details on these gWLM restrictions, see “Features of Mixed HP-UX 11i v1/v2 vPars Environments” (page 58).

Following the mixed HP-UX 11i v1/v2 vPars update process, update any applications as needed.



IMPORTANT: If you have installed iCAP version 8.03 during the update process, on each HP-UX 11i v1 virtual partition you must run the command `swconfig -v B9073BA` to complete the iCAP installation.

Migrating from vPars A.03.xx to Mixed HP-UX 11i v1/v2/v3 vPars (A.03.05, A.04.02 or later, A.05.03)

This section provides an overview of the process for migrating from an existing vPars A.03.xx environment to a mixed HP-UX 11i v1/v2/v3 vPars environment. A mixed HP-UX 11i v1/v2/v3 vPars environment supports virtual partitions running vPars A.05.03 on HP-UX 11i v3 (11.31), virtual partitions running vPars A.04.02 or later on HP-UX 11i v2 (11.23), and virtual partitions running vPars A.03.05 on HP-UX 11i v1 (11.11).

For information on using a mixed HP-UX 11i v1/v2/v3 vPars environment, see “Mixed HP-UX 11i v1/v2/v3 vPars Environments in vPars A.05.03” (page 63).

Two approaches are available for migrating to a mixed HP-UX 11i v1/v2/v3 vPars environment:

- A “cold migration” update process.
The cold migration process involves updates of vPars A.03.xx to vPars A.03.05, the installation of a new HP-UX 11i v3 boot disk (with vPars A.05.03), and subsequent virtual partition updates to vPars A.04.05 and/or A.05.03 as needed.
- A two-phased update, involving:
 - First updating to a mixed HP-UX 11i v1/v2 vPars environment (including vPars A.03.05 and vPars A.04.05).
This process is documented in “Updating from vPars A.03.xx to Mixed HP-UX 11i v1/v2 vPars (A.03.05 and A.04.05) Environment” (page 81).
 - Then updating the virtual partitions going to HP-UX 11i v3 from vPars A.04.05 to vPars A.05.03.

See the *Migrating from HP-UX 11i v1 Virtual Partitions to a Mixed HP-UX Version Environment* white paper at <http://docs.hp.com> for a further detail and a description of the steps and choices involved in these migration paths from a vPars A.03.xx environment to a mixed HP-UX 11i v1/v2/v3 vPars environment.

Before beginning the migration to a mixed HP-UX 11i v1/v2/v3 vPars environment it is critical to confirm that system resources can support the HP-UX 11i and vPars requirements, including:

- Supported hardware platforms
- Minimum system firmware revisions
- Supported I/O cards and minimum card firmware revisions



CAUTION: Be certain that the vPars hardware, firmware, and I/O card requirements listed in the *HP-UX Virtual Partitions Ordering and Configuration Guide* are met before proceeding with the migration.

- Filesystem sizes required by HP-UX 11i v1, 11i v2, and 11i v3
HP-UX 11i requirements are listed in the *Read Before Installing or Updating* and *Installation and Update Guide* documents available at <http://docs.hp.com>.

All virtual partitions that will remain as HP-UX 11i v1 virtual partitions after the migration must update to vPars A.03.05. The HP-UX 11i v2 virtual partitions can be at vPars A.04.02 or greater, but depending on the migration path they might all be updated to vPars A.04.05. All HP-UX 11i v3 virtual partitions will be at vPars A.05.03 once the migration to a mixed HP-UX 11i v1/v2/v3 vPars environment is complete.



NOTE: In a mixed HP-UX 11i v1/v2/v3 vPars environment, all HP-UX 11i v1 vPars must be updated to vPars A.03.05. However, before vPars A.03.05 is installed, you must install iCAP version 8.03 on each HP-UX 11i v1 virtual partition. This will also install the required versions of WBEM and NParProvider and necessary patches.

Installing iCAP 8.03 onto an HP-UX 11i v1 system running versions of vPars prior to A.03.05 will exhibit an error message which can be ignored, and you can proceed with updating the vPars software. After the vPars installation, you must go to each HP-UX 11i v1 virtual partition and run the command `swconfig -v B9073BA` to complete the iCAP installation.



CAUTION:

Designated-Admin Feature and Mixed HP-UX 11i v1/v2/v3 vPars Environments In a mixed HP-UX 11i v1/v2/v3 vPars environment, configure only virtual partitions containing vPars A.05.03 as designated-admin virtual partitions. Within a mixed HP-UX 11i v1/v2/v3 vPars environment, only the HP-UX 11i v3 virtual partitions (containing vPars A.05.03) can modify other virtual partitions via the `vparmodify` command, and only HP-UX 11i v3 virtual partitions can use `vparcreate` and `vparremove` to create and remove other virtual partitions. If you use the designated-admin feature and configure only HP-UX 11i v1 and/or 11i v2 virtual partitions as designated-admin virtual partitions, no virtual partition will be able to modify other virtual partitions.

Updating from vPars A.04.xx to Mixed HP-UX 11i v2/v3 vPars (A.04.xx and A.05.xx) Environment

This section describes how to update an existing A.04.xx vPars environment to a mixed HP-UX 11i v2/v3 vPars environment; a mixed HP-UX 11i v2/v3 vPars environment contains both vPars A.04.xx/11.23 and A.05.xx/11.31 virtual partitions in the same nPartition. For information on using a mixed HP-UX 11i v2/v3 vPars environment, see “Mixed HP-UX 11i v2/v3 vPars Environments in vPars A.05.xx” (page 60). For information on the typical time needed to update the OS version, see the *HP-UX 11i v3 Installation and Update Guide*.

For information on vPars and OS versions, see the *HP-UX Virtual Partitions Ordering and Configuration Guide*.



CAUTION: In a mixed HP-UX 11i v2/v3 vPars environment, the vPars A.04.xx virtual partitions must be running vPars A.04.02 or later.

CAUTION:

Designated-Admin Feature and Mixed HP-UX 11i v2/v3 vPars Environments Within a mixed HP-UX 11i v2/v3 vPars environment, only the virtual partitions containing vPars A.05.01 can modify other virtual partitions via the `vparmodify` command, and only virtual partitions containing vPars A.05.01 can `vparcreate` and `vparremove` other virtual partitions. If you use the designated-admin feature and configure only virtual partitions containing vPars A.04.02 as designated-admin virtual partitions, no virtual partitions will be able to modify other virtual partitions.

For information on using a mixed HP-UX 11i v2/v3 vPars environment, see “Mixed HP-UX 11i v2/v3 vPars Environments in vPars A.05.xx” (page 60).

Note that this process works only using Update-UX and a corresponding Ignite-UX depot; it does not work by directly using the OE and vPars media. If you wish to install directly from media, you should use the instructions from any of the following:

- “Installing vPars with Ignite-UX on PA-RISC” (page 114)
- “Installing vPars with Ignite-UX on Integrity” (page 116)
- “Installing vPars with Software Distributor ” (page 118)

Update-UX Primer

The advantages of using Update-UX are 1) you can update both OE and vPars versions simultaneously, so there are fewer reboots, and 2) although you must still reboot the nPartition,

you can perform these steps *within* a vPars environment; you do not need to boot the system into standalone mode.



CAUTION:

Using Update-UX Update-UX allows for both the OE and vPars bundles to be updated in the same session. To simultaneously update both the OE and vPars bundles in the same session, they both must be in the same source depot.

If you update from a depot which does not contain the vPars bundle, your disk will no longer boot in vPars mode. See the *Ignite-UX Administration Guide* and *Using Golden Images with Virtual Partitions* for information on how to setup your Ignite-UX server.



NOTE: Before using the `update-ux` command, make sure you have the latest Update-UX bundle installed for each virtual partition:

```
# swinstall -s source_depot Update-UX
```

After the latest Update-UX bundle has been installed, you can use the `update-ux` command, the syntax is:

```
# update-ux -s source_depot OE_bundle vPars_bundle
```

For example, the command line used in this section is

- `# update-ux -s depot1:/release/1131/HPUX11i-OE-Ent.DVD HPUX11i-OE-Ent T1335CC`
where
 - `depot1:/release/1131/HPUX11i-OE-Ent.DVD` is the source depot
 - `HPUX11i-OE-Ent` is the OE bundle
 - `T1335CC` is the vPars A.05.xx bundle

Since both the OE and vPars bundle are the parameters for `update-ux`, both the OE (including the OS version) and the vPars version are updated in this single step.



NOTE: When using the 11.31 binaries for `update-ux`, there is now a `-p` (preview) option similar to the `swinstall` preview option.

If you are unfamiliar with the Update-UX product or would like information on using or debugging Update-UX, read the HP-UX 11.31 or 11.23 *Installation and Update Guide*. Also, see the applicable Software Distributor and Ignite-UX documents available at <http://docs.hp.com>.

OE Bundle Names for Update-UX

For HP-UX 11i v3, the possible **OE bundles** are:

- `HPUX11i-OE` Foundation OE
- `HPUX11i-OE-Ent` Enterprise OE
- `HPUX11i-OE-MC` Mission Critical OE

When choosing the OE, you should select the same OE that your virtual partition is running. Use the `swlist` command to check which OE you are currently running:

```
# swlist -l bundle | grep -i OE
HPUX11i-OE-Ent B.11.31 HP-UX Enterprise Operating Environment
```

This shows that you are running an **Enterprise OE**.

vPars Bundle Names for Update-UX

For vPars, the possible vPars bundles are:

```
T1335CC vPars A.05.xx bundle
T1335BC vPars A.04.xx bundle
```

Note that in a mixed HP-UX 11i v2/v3 vPars environment, the vPars running A.04.xx must be running version A.04.02 or later. Therefore, the “Revision” field in the depot should be A.04.02 or greater. Using `swlist`, we can find the revision number for the vPars A.04.xx bundle on the depot.

```
# swlist -d @ depot1:/release/1123/HPUX11i-OE-Ent.DVD | grep T1335BC
T1335BC          A.04.02.03          HP-UX Virtual Partitions for 11.23
```

Changing nPartition Boot Paths To Boot the vPars A.05.xx Monitor

To boot a mixed HP-UX 11i v2/v3 vPars environment, you must boot a vPars A.05.xx Monitor. In our example below, entitled *The Update Process*, we are updating the first virtual partition (the virtual partition from which the vPars Monitor is booted) from vPars A.04.01 to A.05.01. However, if we had chosen to update that partition to only vPars A.04.02, we must change the nPartition’s PRI (primary) boot path so that it points to the boot disk of a vPars A.05.01 virtual partition, which would contain a vPars A.05.xx Monitor.

For example, if we originally had this configuration:

nPartition’s PRI boot path is:	boot disk of thurman1
thurman1	vPars A.04.01 with vPars A.04.01 Monitor
thurman2	vPars A.04.01 with vPars A.04.01 Monitor

but wanted to update to the following configuration:

thurman1	vPars A.04.02 with vPars A.04.02 Monitor
thurman2	vPars A.05.01 with vPars A.05.01 Monitor

we must change the nPartition’s PRI boot path to point to the boot disk of a vPars A.05.01 boot disk, which contains a vPars A.05.01 Monitor, such that

nPartition’s PRI boot path is:	boot disk of thurman2
thurman1	vPars A.04.02 with vPars A.04.02 Monitor
thurman2	vPars A.05.01 with vPars A.05.01 Monitor

Note that to change the nPartition’s PRI boot path, you *cannot* use `setboot` from within a virtual partition; using `setboot` within a virtual partition changes only the virtual partition’s primary path entry in the vPars database. Further, you cannot use `parmodify` from within vPars on Integrity systems.

However, if you are unfamiliar with the firmware interfaces on PA or Integrity, you can boot the system into standalone/nPars mode, use `parmodify` or `setboot` to change the nPar boot path, and then boot back into vPars mode. This is included in the steps below.

The Update Process: Goal

In the example below, we begin with three virtual partitions, all running vPars A.04.01:

- the first partition `keira1` running vPars A.04.01 (on 11.23)
- the second partition `keira2` running vPars A.04.01 (on 11.23)
- the third partition `keira3` running vPars A.04.01 (on 11.23)

The *first virtual partition* is defined as the virtual partition that owns the boot disk from which the vPars Monitor was booted; you can use the `vparstatus -m` and `vparstatus -v` commands to determine which virtual partition this is.

We wish to update to the following:

- `keira1` running A.05.01 (on 11.31)
- `keira2` running A.04.02 (on 11.23)
- `keira3` running A.05.01 (on 11.31)

The Update Process: Step by Step

The following steps should be done **from the console**:

1. Make sure that all the virtual partitions are up. You can check this with `vparstatus`.

Example:

```
keiral# vparstatus
[Virtual Partition]

Virtual Partition Name      State Attributes  Kernel Path      Boot
=====
keiral                     Up    Dyn,Auto,Nsr   /stand/vmunix
keira2                     Up    Dyn,Man1,Nsr   /stand/vmunix
keira3                     Up    Dyn,Auto,Nsr   /stand/vmunix
=====
                                Boot
                                Opts
                                =====
```

2. Record the current autoboot and autosearch settings of all the virtual partitions. The update process sets autoboot to manual, so you will need to restore these settings later. To find the current settings, use `vparstatus`.

Example:

```
keiral # vparstatus
[Virtual Partition]

Virtual Partition Name      State Attributes  Kernel Path      Boot
=====
keiral                     Up    Dyn,Auto,Nsr   /stand/vmunix
keira2                     Up    Dyn,Man1,Nsr   /stand/vmunix
keira3                     Up    Dyn,Auto,Nsr   /stand/vmunix
=====
                                Boot
                                Opts
                                =====
```



TIP: In our example, we are updating all the virtual partitions. However, if you have virtual partitions that already meet the mixed/OS vPars requirements (vPars A.04.02 or later) and are not updating those virtual partitions, you can skip the update steps for these partitions.

3. Install the latest and OS-applicable Update-UX bundle onto each virtual partition (use **Ctrl-A** to switch between consoles).

Note that this does not update the operating system, only the Update-UX bundle.

Example where target OS will be 11.31:

```
keiral # swinstall -s depot1:/release/1131/HPUX11i-OE-Ent.DVD Update-UX
keira3 # swinstall -s depot1:/release/1131/HPUX11i-OE-Ent.DVD Update-UX
```

Example where target OS will be 11.23:

```
keira2 # swinstall -s depot1:/release/1123/HPUX11i-OE-Ent.DVD Update-UX
```

4. Determine if you need to change the PRI boot path and perform accordingly.

If the current nPartition's PRI boot path currently points to a virtual partition that will be updated to only A.04.xx and not A.05.01, you will need to change the nPartition's PRI boot path such that it points to the boot disk of a virtual partition that will be updated to A.05.01. For more information, see "Changing nPartition Boot Paths To Boot the vPars A.05.xx Monitor" (page 98).

Example:

In our example, the first virtual partition keiral1 is being updated to vPars A.05.01, so we would not need to change the nPartition PRI boot path and can proceed to the next step.

However, if keiral1 is being updated to only A.04.02, then we would need to change the nPartition's PRI boot path to the boot disk of a virtual partition that is being updated to A.05.01. To do this, perform the following:

- a. Find the nPartition partition number for the current nPartition.

```
keiral# parstatus -w
The local partition number is 0.
```

The nPartition number is 0. Record this information.

- b. Find the boot path of the boot disk of a future vPars A.05.01 virtual partition. This boot path will become the nPartition's new PRI boot path.

Since keira3 is being updated to A.05.01, let's choose to change the nPartition's PRI path to the boot disk of keira3.

Since we have chosen keira3 as the future A.05.01 virtual partition, we need to find the boot path of keira3:

```
keira1# vparstatus -v -p keira3
...
[IO Details]
  0.0.6
  0.0.6.0.0.5.0  BOOT
```

The BOOT attribute identifies the boot path for the virtual partition keira3 as 0.0.6.0.0.5.0. Record this information.

- c. Set the mode for the next nPartition reboot.
 - on Integrity, set the mode to nPars for the next reboot: # vparenv -m nPars
 - on PA, no mode setting is required.

The remainder of the steps to change the PRI boot path will be done later, while in nPars/standalone mode.

5. For each virtual partition, *except the first virtual partition*, use Update-UX to install the latest OE and vPars bundle. These updates can occur in parallel, although this is not required.

Example where target OS will be 11.31, which implies vPars A.05.xx:

```
keira3 # update-ux -s depot1:/release/1131/HPUX11i-OE-Ent.DVD HPUX11i-OE-Ent T1335CC
```

Example where target OS will be 11.23, which implies vPars A.04.xx:

```
keira2 # update-ux -s depot1:/release/1123/HPUX11i-OE-Ent.DVD HPUX11i-OE-Ent T1335BC
```

Be sure that both the OE and vPars bundles are specified on the update-ux command line.



CAUTION:

Using Update-UX Update-UX allows for both the OE and vPars bundles to be updated in the same session. To simultaneously update both the OE and vPars bundles in the same session, they both must be in the same source depot.

If you update from a depot which does not contain the vPars bundle, your disk will no longer boot in vPars mode. See the *Ignite-UX Administration Guide* and *Using Golden Images with Virtual Partitions* for information on how to setup your Ignite-UX server.



NOTE: Although you can update all the virtual partitions, including the first virtual partition, in parallel, by leaving the first virtual partition up until all the updates for the other virtual partitions are complete, it allows you to use the first virtual partition to verify the processing and status of the other virtual partitions.

Further, if you need to change the primary path in stable storage, you will use the first virtual partition to enter into standalone/nPars mode and change the PRI boot path.

6. After the all updates for the above virtual partitions have completed, use Update-UX to install the latest OE and vPars bundle to the first virtual partition.

Example:

```
keira1 # update-ux -s depot1:/release/1131/HPUX11i-OE-Ent.DVD HPUX11i-OE-Ent T1335CC
```

Although you can do all the updates in parallel, you need to make sure that all of the other virtual partition updates have successfully performed the updating to the point of halting.

In the next step, the entire nPartition will be rebooted; if the other virtual partitions are still in progress of updating, the OS instances may be in an unknown state.



NOTE: If the BOOT and ALTBOOT disks are a mirrored pair, updating is not required on the ALTBOOT disk. Otherwise, if you wish to have the alternate boot disk updated, after updating the OS on the primary boot path disk, boot the virtual partitions from the alternate path boot disk and repeat the update-ux procedure. For example, if keira2 has an alternate boot disk that is not a mirror of the primary boot disk, and you wish to update the OS on the alternate boot disk, boot keira2 from the alternate boot path using:

```
MON> vparload -p keira2 -B ALT
```

and repeat the update-ux procedure:

```
keira2# update-ux -s depot1:/release/1123/HPUX11i-OE-Ent.DVD HPUX11i-OE-Ent T1335BC
```

7. Reboot the nPartition.

Example:

```
MON> reboot
```

On Integrity, if you need to change the PRI boot path, reboot in nPars mode:

```
MON> reboot npars
```



NOTE: At this point, you need to reboot the nPartition from the MON> prompt, not just the virtual partition. By rebooting the nPartition, you can load the new vPars Monitor.

8. If you need to change the PRI boot path, follow the procedure below. Otherwise, proceed to the next step.

- a. Interrupt the boot up process and enter into standalone (PA) or nPars (Integrity) mode.

Example for PA-RISC:

```
BCH> bo pri
interact with IPL: y
ISL> hpux /stand/vmunix
```

Example for Integrity:

```
Shell> fs0:
fs0:\> hpux
HPUX> boot vmunix
```

- b. Change the nPartition's PRI path to the boot path of the future A.05.01 partition recorded earlier.

Example:

```
keira# parmodify -p0 -b 0.0.6.0.0.5.0
```

where the syntax of parmodify is

- -p *nPartition_number*
- -b *primary_boot_path*

- c. Verify the new PRI path using parstatus.

```
keira# parstatus -p0 -V
[Partition]
Partition Number      : 0
Partition Name       : npar0
Status               : active
IP address           : 0.0.0.0
PrimaryBoot Path     : 0/0/6/0/0.5.0
...
```

d. Once the PRI path has been successfully changed, set the mode to back to vPars.

- On Integrity:

```
keira# vparenv -m vPars
```

- On PA-RISC, no mode setting is required.

e. Reboot the nPartition.

```
keira# shutdown -ry 0
```

9. If needed (depending upon how your nPartition's autoboot configuration is set up), interrupt the nPartition boot process and load the vPars Monitor.

Example for PA-RISC:

```
BCH> bo pri
interact with IPL: y
ISL> hpux /stand/vpmon
```

Example for Integrity:

```
Shell> fs0:
fs0:\> hpux
HPUX> boot vpmon
```

10. Boot the virtual partitions.

Example:

```
MON> vparload -all
```

When the virtual partitions are booted, they will continue and complete their update processes (the virtual partitions can be booted in any order). After this is completed, you should arrive at the login: prompt for each virtual partition. Login as root and continue to the next step.

11. Turn autoboot and autosearch settings back to their original settings that you recorded earlier above.

Example:

```
keira1 # vparmodify -p keira1 -B auto
keira1 # vparmodify -p keira1 -B nosearch
keira1 # vparmodify -p keira2 -B manual
keira1 # vparmodify -p keira2 -B nosearch
keira1 # vparmodify -p keira3 -B auto
keira1 # vparmodify -p keira3 -B nosearch
```

12. Verify the Virtual Partitions.

The virtual partitions should now be running the latest vPars version. To verify this, you can login to each virtual partition and use the `vparstatus` command with the `-P` option:

Example:

```
keira1# vparstatus -P
Current Virtual Partition Version: A.05.01
Monitor Version: A.05.01
```

```
[Virtual Partition OS Version]
Virtual Partition Name      OS Version State
=====
keira1                      B.11.31      Up
keira2                      B.11.23      Up
```

```
keira2# vparstatus -P
Commands product information: A.04.03
Monitor product information: A.05.01
```

13. Verification the vPars Monitor.

If you changed the nPartition's PRI boot path, you can also verify that the vPars Monitor has been booted from the correct boot disk:

```
keira3# vparstatus -m
Console path: No path as console is virtual
Monitor boot disk path: 0.0.6.0.0.5.0
Monitor boot filename: /stand/vpmon
Database filename: /stand/vpdb
...
```

The boot disk path shown is from a vPars A.05.01 virtual partition.

14. Convert base memory to float memory.

vPars A.04.xx uses only base memory; therefore, when updating to vPars A.05.xx from A.04.xx, all memory will be converted as base memory. There is no method to convert the memory to float during the update process. For information base and float memory, see “Definitions for Dynamically Migrating ILM or CLM Memory” (page 182).

To convert the base memory to float memory, see “Memory: Converting Base Memory to Float Memory” (page 190).

Updating from vPars A.03.xx to A.05.xx

At the time of this publication, updating directly from vPars A.03.xx to A.05.xx is not supported because the Update-UX tool does not support updating directly from 11i v1 (11.11) to 11i v3 (11.31). However, as a general workaround, you can attempt the following process. However, there are many differences not only between vPars A.03.xx and A.05.xx, but also between 11.11 and 11.31. Be sure to read the applicable release notes for your given hardware (server, cards, and expansion units), operating system, and vPars software. *If you need help, contact your HP Support Representative.*

Note that there is no update software process to move from PA to Integrity servers.

General Process for A.03.xx to A.05.xx Workaround (PA only)

The general process for updating from A.03.xx to A.05.xx is to perform the update in two steps:

1. Update your virtual partitions from A.03.xx to A.04.02 or later.
“Updating from vPars A.03.xx to A.04.xx” (page 103)
2. Update your virtual partitions from A.04.02 or later to A.05.01
“Updating from vPars A.04.xx to A.05.xx” (page 76)
“Updating from vPars A.04.xx to Mixed HP-UX 11i v2/v3 vPars (A.04.xx and A.05.xx) Environment” (page 96)

Updating from vPars A.03.xx to A.04.xx

This section describes how to update an existing A.03.xx PA-RISC vPars environment to the latest A.04.xx PA-RISC vPars environment. The advantages of using this process are 1) you can update both OE and vPars versions simultaneously, so there are fewer reboots, and 2) although you must still reboot the nPartition, you can perform these steps within a vPars environment; you do not need to boot the system into standalone mode. However, if you are not familiar with Update-UX, you can continue to use the swinstall methods (see the links in the next paragraph).

Note that this process works only using Update-UX and a corresponding Ignite-UX depot; it does not work by directly using the OE and vPars media. If you wish to install directly from media, you should use the instructions from “Installing vPars with Ignite-UX on PA-RISC” (page 114) or “Installing vPars with Software Distributor” (page 118).

For information on the typical time needed to update the OS version, see the *HP-UX 11i v2 Installation and Update Guide*.



CAUTION:

Using Update-UX Update-UX allows for both the OE and vPars bundles to be updated in the same session. To simultaneously update both the OE and vPars bundles in the same session, they both must be in the same source depot.

If you update from a depot which does not contain the vPars bundle, your disk will no longer boot in vPars mode. See the *Ignite-UX Administration Guide* and *Using Golden Images with Virtual Partitions* for information on how to setup your Ignite-UX server.



NOTE: Before using the Update-UX command, make sure you have the latest Update-UX bundle installed for each virtual partition:

```
# swinstall -s source_depot Update-UX
```

In the example below, the Update-UX command syntax is

```
# update-ux -s source_depot OE_bundle vPars_bundle
```

For example, the command line used in this section is

```
# update-ux -s depot1:/release/0505.1123/HPUX11i-OE-Ent.DVD HPUX11i-OE-Ent T1335BC
```

where:

- depot1:/release/0505.1123/HPUX11i-OE-Ent.DVD is the source depot
- HPUX11i-OE-Ent is the OE bundle
- T1335BC is the vPars bundle

For more information on using Update-UX, see the HP-UX 11.23 *Installation and Update Guide*.

The Steps

The following steps should be done **from the console**:

1. Make sure that all the virtual partitions are up. You can check this with `vparstatus`.

Example:

```
keiral# vparstatus
[Virtual Partition]

Virtual Partition Name      State Attributes  Kernel Path      Boot
=====
keiral                      Up      Dyn,Auto,Nsr    /stand/vmunix    Opts
keira2                      Up      Dyn,Manl,Nsr    /stand/vmunix
keira3                      Up      Dyn,Auto,Nsr    /stand/vmunix
```

2. Record the current autoboot and autosearch settings of all the virtual partitions so that you can change back to these settings later. To find the current settings, use `vparstatus`.

Example:

```
keiral # vparstatus
[Virtual Partition]

Virtual Partition Name      State Attributes  Kernel Path      Boot
=====
keiral                      Up      Dyn,Auto,Nsr    /stand/vmunix    Opts
keira2                      Up      Dyn,Manl,Nsr    /stand/vmunix
keira3                      Up      Dyn,Auto,Nsr    /stand/vmunix
```

3. Turn autoboot and autosearch settings off using `vparmodify` for all the virtual partitions.

Example:

```
keiral # vparmodify -p keiral -B manual
keiral # vparmodify -p keiral -B nosearch
```



```
keira1 # vparmodify -p keira2 -B manual
keira1 # vparmodify -p keira2 -B nosearch
keira1 # vparmodify -p keira3 -B manual
keira1 # vparmodify -p keira3 -B nosearch
```

Note that the `-B nosearch` option is valid for only vPars A.03.02 and later. If you are using an earlier version of vPars, you can skip the `vparmodify ... -B nosearch` command.

4. Install the latest Update-UX bundle onto each virtual partition (use **Ctrl-A** to switch between consoles).

Note that this does not update the operating system, only the Update-UX bundle. Example:

```
keira1 # swinstall -s depot1:/release/0505.1123/HPUX11i-OE-Ent.DVD Update-UX
keira2 # swinstall -s depot1:/release/0505.1123/HPUX11i-OE-Ent.DVD Update-UX
keira3 # swinstall -s depot1:/release/0505.1123/HPUX11i-OE-Ent.DVD Update-UX
```

5. For each virtual partition, except the first virtual partition, use Update-UX to install the latest OE and vPars bundle. These updates can occur in parallel, although this is not required.

The first virtual partition is defined as the virtual partition that owns the boot disk from which the vPars Monitor was booted; you can use the `vparstatus -m` and `vparstatus -v` commands to determine which virtual partition this is.

Although you can update all the virtual partitions, including the first virtual partition, in parallel, by leaving the first virtual partition up until all the updates for the other virtual partitions are complete, it allows you to use the first virtual partition to verify the processing and status of the other virtual partitions.

Example:

```
keira2 # update-ux -s depot1:/release/0505.1123/HPUX11i-OE-Ent.DVD HPUX11i-OE-Ent T1335BC
keira3 # update-ux -s depot1:/release/0505.1123/HPUX11i-OE-Ent.DVD HPUX11i-OE-Ent T1335BC
```

Bundle Names

- For HP-UX 11i v2, the possible **OE bundles** are listed below.

HPUX11i-OE	Foundation OE
HPUX11i-OE-Ent	Enterprise OE
HPUX11i-OE-MC	Mission Critical OE

You should choose the same OE that your current virtual partition is running. Use the `swlist` command to check which OE you are currently running:

```
# swlist -l bundle | grep -i OE
HPUX11i-OE-Ent B.11.23.0505 HP-UX Enterprise Operating Environment
```

- T1335BC is the vPars A.04.xx bundle.



NOTE: Be sure that both the OE and vPars bundles are specified on the `update-ux` command line.

6. After the all updates for the above virtual partitions have completed, use Update-UX to install the latest OE and vPars bundle to the first virtual partition.

Example:

```
keira1 # update-ux -s depot1:/release/0505.1123/HPUX11i-OE-Ent.DVD HPUX11i-OE-Ent T1335BC
```

Although you can do all the updates in parallel, you need to make sure that all of the other virtual partition updates have successfully performed the updating to the point of halting for reboot. In the next step, the entire nPartition will be rebooted; if the other virtual partitions are still in progress of updating, the OS instances may be in an unknown state.



NOTE: If the BOOT and ALTBOOT disks are a mirrored pair, updating is not required on the ALTBOOT disk. Otherwise, after updating the OS on the primary boot path disk, boot the virtual partitions from the alternate path boot disk and repeat the update-ux procedure. For example, if keira2 has an alternate boot disk that is not a mirror of the primary boot disk, and you wish to update the OS on the alternate boot disk, boot keira2 from the alternate boot path using:

```
MON> vparload -p keira2 -B ALT
```

and repeat the update-ux procedure

```
keira2# update-ux -s depot1:/release/0505.1123/HPUX11i-OE-Ent.DVD HPUX11i-OE-Ent T1335BC
```

7. Reboot the nPartition to the ISL> prompt.

Example:

```
MON> reboot
```



NOTE: At this point, you need to reboot the nPartition from the MON> prompt, not just the virtual partition. By rebooting the nPartition, you can load the new vPars Monitor in the next step.

8. From ISL> load the vPars Monitor.

Example:

```
ISL> hpux /stand/vpmon
```

9. Boot the virtual partitions.

Example:

```
MON> vparload -all
```

When the virtual partitions are booted, they will continue and complete their update processes. After this is completed, you should arrive at the login: prompt for each virtual partition. Login as root and continue to the next step.

10. Turn autoboot and autosearch settings back to their original settings that you recorded earlier above.

Example:

```
keiral # vparmodify -p keiral -B auto
keiral # vparmodify -p keiral -B nosearch
keiral # vparmodify -p keira2 -B manual
keiral # vparmodify -p keira2 -B nosearch
keiral # vparmodify -p keira3 -B auto
keiral # vparmodify -p keira3 -B nosearch
```

The virtual partitions should now be running the latest OE and vPars version.

Updating vPars A.03.xx to vPars A.03.05

This section describes the process for updating a vPars environment from earlier vPars A.03.xx releases to vPars A.03.05.



NOTE: To update to vPars A.03.05, you must update HP-UX to the HP-UX 11.11 December 2006 release.

The vPars A.03.05 vPars Monitor (vpmon) requires that all vPars be running vPars A.03.05. Earlier vPars releases are not supported by the vPars A.03.05 vpmon.

NOTE: If you are updating to vPars A.03.05, or configuring a mixed 11i v1/v2 vPars environment, you must install iCAP version 8.03 (B.11.11.08.03.00) on each HP-UX 11i v1 virtual partition *before updating to vPars A.03.05*. This will also install the required versions of WBEM and NParProvider and necessary patches.

Installing iCAP 8.03 onto an HP-UX 11i v1 system running versions of vPars prior to A.03.05 will exhibit an error message which can be ignored, and you can proceed with updating the vPars software. After the vPars installation (which includes halting every virtual partition and rebooting the nPartition to the new vPars Monitor), you must go to each HP-UX 11i v1 virtual partition and run the command `swconfig -v B9073BA` to complete the iCAP installation.

The vPars A.03.05 Update Process

This section provides details and examples of the process for updating a vPars environment from earlier vPars A.03.xx releases to vPars A.03.05.

The following steps should be performed from the vPars console.

1. Make sure all virtual partitions are in an Up state.
Use `vparsstatus` to list virtual partition states.
2. Record the current autoboot and autosearch settings of all virtual partitions.
Use the `vparsstatus` command to list all virtual partitions and their attributes (for example, `Auto` for autoboot, `Man1` for manual boot).
3. Turn autoboot off for all virtual partitions.
Use the `vparsmodify -p vparname -B manual` command, where `vparname` is the virtual partition name, to set each virtual partition to boot manually (disable autoboot).
4. If necessary, install the latest OS-applicable Update-UX bundle onto each virtual partition. vPars A.03.05 requires the December 2006 HP-UX OE. If updating the HP-UX OE on each virtual partition, the latest Update-UX release for HP-UX 11i v1 also is required.
5. You must install iCAP v8.03 on all HP-UX 11i v1 virtual partitions that are updating to vPars A.03.05.
iCAP v8.03 must be installed before vPars A.03.05 is installed. For details see the *HP Instant Capacity User's Guide for Versions 8.x*.
6. For each virtual partition—except the first virtual partition—use Update-UX to install the latest OE and vPars bundle, or use `swinstall` if only updating the vPars bundle.
7. After the previous updates complete, use Update-UX to install the latest OE and vPars bundle to the first virtual partition, or use `swinstall` if only updating the vPars bundle.
8. Reboot the nPartition after making sure that all virtual partition updates have successfully completed to the point of halting.
`MON> reboot`
9. Interrupt the nPartition boot process as needed and load the vPars Monitor.
`BCH> bo pri`
interact with IPL: `y`
`ISL> hpux /stand/vpmon`
10. Boot all virtual partitions.

```
MON> vparload -all
```

When the virtual partitions are booted, they will continue and complete their update processes. After this is completed, you can access the login prompt for each virtual partition. Login as `root` and continue to the next step.

11. Restore the virtual partition autoboot and autosearch settings to the original settings that you previously recorded.
Use the `vparmodify -p vpname -B setting` command, where `vpname` is the virtual partition name and `setting` is the autoboot or autosearch setting.
12. Verify the virtual partition configurations.
To verify the vPars versions, login to each virtual partition and use the `vparstatus -P` command.
13. Verify the correct vPars Monitor has booted.
Use the `vparstatus -m` command to confirm the boot disk path of the vPars Monitor.

Updating from vPars (A.02.xx or A.03.xx) to A.03.xx

To update from an earlier vPars A.02.xx or A.03.xx version to the latest vPars A.03.xx version, perform the following steps.



NOTE: If updating to the vPars A.03.05 release, use the “Updating vPars A.03.xx to vPars A.03.05” (page 106) procedure.

1. Save a copy of the vPars database in case you need to revert back to the earlier version of vPars or you need to restore the database.
2. Shut down all the virtual partitions.
3. Reboot the server into standalone mode. This consists of the following:
 1. At the `MON>` prompt, type `reboot`
 2. If needed, interrupt the boot sequence at the `BCH>` prompt and boot `/stand/vmunix` instead of `/stand/vpmon`. For example:

```
BCH> bo pri
interact with IPL? y
.
.
.
ISL> hpx /stand/vmunix
```
4. Install the new vPars bundle using `swinstall`. For the appropriate bundle name, see “Bundle Names” (page 70).
5. Reboot the system:

```
# shutdown -r
```
6. Boot the vPars Monitor and the virtual partitions from the disk where you installed the vPars bundle. For example, if we had installed the bundle to the disk at the primary path:

```
BCH> bo pri
interact with IPL? y
.
.
.
ISL> hpx /stand/vpmon -a
```

If you have configured your `AUTO` file in the LIF area to boot the vPars Monitor and virtual partitions automatically, then this step will be performed automatically. For more information, see “Autoboot” (page 163).

7. On each virtual partition, repeat Step 4 to install the new vPars bundle on each boot disk of *each* virtual partition (you do not need to reboot the hard partition). Because the boot disk used to boot in standalone mode in Step 3 already has the new vPars bundle (this was installed during Step 4), you can exclude this step for the boot disk at the primary path.
You must install the new vPars bundle on each virtual partition before putting the virtual partitions back into production. Running a mix of older and newer vPars versions within a group of virtual partitions is not supported.

Applying a vPars Sub-System Patch

The vPars sub-system patch includes the vPars Monitor, commands, and daemons. To apply a vPars patch to an existing version, perform the following:

1. Shut down all the virtual partitions.
2. Reboot the server into standalone mode. This consists of the following:
 - a. At the MON> prompt, type `reboot`
 - b. If needed, interrupt the boot sequence at the BCH> and boot `/stand/vmunix` instead of `/stand/vpmon`. For example:

```
BCH> bo pri
interact with IPL? y
.
.
.
ISL> hpux /stand/vmunix
```

3. Install the vPars sub-system patch using `swinstall`.
4. Reboot the system:
`# shutdown -r`
5. Boot the vPars Monitor and the virtual partitions from the disk where you installed the vPars sub-system patch. For example, if we had installed the patch to the disk at the primary path:

```
BCH> bo pri
interact with IPL? y
.
.
.
ISL> hpux /stand/vpmon -a
```

If you have configured your AUTO file in the LIF area to boot the vPars Monitor and virtual partitions automatically, then this step will be performed automatically. For more information, see “Autoboot” (page 163).

6. On each virtual partition, repeat Step 3 to install the vPars sub-system patch on each boot disk of each virtual partition. No reboot of the virtual partition is required.
Because the boot disk used to boot in standalone mode in Step 2 already has the new vPars patch (this was installed during Step 3), you can exclude this step for the boot disk at the primary path.
You must install the vPars patch on each virtual partition before putting the virtual partitions back into production. Running a mix of vPars products and versions within a group of virtual partitions is not supported.



NOTE: *If you have previously applied any patches specific to vPars, you will need to re-apply those patches to the vPars product.*

Upgrading Integrity Servers from the sx1000 to sx2000 Chipset

You can upgrade the following Integrity servers from the sx1000 to sx2000 chipsets:

- rx7620 to rx7640
- rx8620 to rx8640
- Integrity Superdome

To perform the hardware upgrade, follow the process documented in the hardware upgrade manual for your server.



CAUTION:

Upgrade Notes

- vPars A.04.02 or later is required for vPars running on HP Integrity servers with the sx2000 chipset.
- PHKL_34088 is also required for vPars running on HP Integrity servers with the sx2000 chipset.
- The physical hardware upgrade from the rx7620 to rx7640 requires a cold-install of the OS and therefore of vPars as well.
- Only Hewlett-Packard qualified service personnel can perform hardware upgrades from rx8620 to rx8640 or from Integrity/sx1000 Superdome to Integrity/sx2000 Superdome.

While performing the hardware upgrades, HP qualified service personnel will reference the following documents when making the necessary HP-UX and vPars configuration changes: *HP I/O Hardware Upgrade Scripts Guide for HP Integrity Superdome/sx2000 Servers* and *HP-UX Impacts on the Upgrade Process for the rx8620 to rx8640 Hardware Upgrade*.

- Be aware that instead of performing the upgrades for vPars, LVM, etc., you also have the option of performing a cold-install on the post-upgrade hardware as if they were new systems with no previous installations.
-

Hardware Path Changes

The upgrade changes the hardware paths. For the new hardware paths as well as the hardware upgrade process, see the upgrade manual for your server. For reference, the changes are noted in the tables at the end of this section:

- “rx7620 to rx7640 Hardware Path Changes” (page 111)
- “rx8620 to rx8640 Hardware Path Changes” (page 111)
- “Integrity Superdome Hardware Path Changes (x=cell)” (page 111)

vPars Database Changes

As part of the upgrade process, HP qualified service personnel will need to make updates to each virtual partition's vPars database (vpdb) in nPars mode following the server hardware changes. These and other necessary steps are described in the *HP I/O Hardware Upgrade Scripts Guide for HP Integrity Superdome/sx2000 Servers* and *HP-UX Impacts on the Upgrade Process for the rx8620 to rx8640 Hardware Upgrade* service documents.

Hardware Path Tables

The tables below show the new hardware paths. For details on the new hardware paths and other hardware information, see the applicable hardware upgrade manuals for your server, available at <http://docs.hp.com>.

Table 4-1 rx7620 to rx7640 Hardware Path Changes

rx7620 Path	rx7640 Path	Description
1/0/1/1/0/1/1.6	1/0/1/1/0/4/1.6	Top right HDD using A6794A or AB290A
0/0/0/3/0.6	0/0/0/3/0.6	Bottom left HDD using MP/SCSI
0/0/0/3/0.5	0/0/1/1/0/4/1.5	Bottom right HDD using MP/SCSI or AB290A
1/0/0/3/1.x	1/0/0/3/1.x	Internal DVD/tape (x=2 for DVD, x=3 for DAT)
	0/0/0/3/1.2	Bottom slimline DVD, if present
1/0/1/1/0/4/0	1/0/1/1/0/6/0	Primary LAN
	1/0/1/1/0/6/1	Secondary LAN
0/0/8/1/0/4/0	0/0/1/1/0/6/0	Primary LAN
	0/0/1/1/0/6/1	Secondary LAN
1/0/1/1/0/1/0.x	1/0/1/1/0/4/0.x	external SCSI (A6794A/AB290A)
	1/0/1/1/0/4/1.x	external SCSI (AB290A), shared with internal HDD
0/0/8/1/0/1/0.x	0/0/1/1/0/4/0.x	external SCSI (A6794A/AB290A)
	0/0/1/1/0/4/1.x	external SCSI (AB290A), shared with internal HDD

Table 4-2 rx8620 to rx8640 Hardware Path Changes

rx8620 Path	rx8640 Path	Description
0/0/0/0/0	N/A	simplecom
0/0/0/0/1	[rootcell]/250/2	console UART
1/0/0/0/0	N/A	simplecom
1/0/0/0/1	[rootcell]/250/2	console UART

Table 4-3 Integrity Superdome Hardware Path Changes (x=cell)

Slot	sx1000 Path	sx2000 Path
0	x/0/0/1	x/0/0/1
1	x/0/1/1	x/0/1/1
2	x/0/2/1	x/0/2/1
3	x/0/3/1	x/0/4/1
4	x/0/4/1	x/0/5/1
5	x/0/6/1	x/0/6/1
6	x/0/14/1	x/0/14/1
7	x/0/12/1	x/0/13/1
8	x/0/11/1	x/0/12/1
9	x/0/10/1	x/0/10/1
10	x/0/9/1	x/0/9/1
11	x/0/8/1	x/0/8/1

Upgrading HP 9000 Servers from the sx1000 to sx2000 Chipset

You can upgrade the following HP 9000 servers from the sx1000 to sx2000 chipsets:

- rp7420 to rp7440
- rp8420 to rp8440
- HP 9000 Superdome

To perform the hardware upgrade, follow the process documented in the hardware upgrade manual for your server.



CAUTION:

Upgrade Notes

- vPars A.03.04 is required for vPars running on HP 9000 servers with the sx2000 chipset.
- The physical hardware upgrade from the rp7420 to rp7440 requires a cold-install of the OS and therefore of vPars as well.
- Only Hewlett-Packard qualified service personnel can perform hardware upgrades from rp8420 to rp8440 or from HP 9000/sx1000 Superdome to HP 9000/sx2000 Superdome.

While performing the hardware upgrades, HP qualified service personnel will reference the following documents when making the necessary HP-UX and vPars configuration changes: *HP I/O Hardware Upgrade Script Guide for HP 9000/sx2000 Superdome Servers* and *HP-UX Impacts on the Upgrade Process for the rp8420 to rp8440 Hardware Upgrade*.

- Be aware that instead of performing the upgrades for vPars, LVM, etc., you also have the option of performing a cold-install on the post-upgrade hardware as if they were new systems with no previous installations.

Hardware Path Changes

The upgrade changes the hardware paths. For the new hardware paths as well as the hardware upgrade process, see the upgrade manual for your server. For reference, the changes are noted in the tables at the end of this section:

- “rp7420 to rp7440 Hardware Path Changes ” (page 112)
- “rp8420 to rp8440 Hardware Path Changes ” (page 113)
- “HP 9000 Superdome Hardware Path Changes (*x=cell*)” (page 113)

vPars Database Changes

As part of the upgrade process, HP qualified service personnel will need to make updates to each virtual partition's vPars database (vpdb) in standalone mode to reflect the new server hardware. These and other necessary steps are described in the *HP I/O Hardware Upgrade Script Guide for HP 9000/sx2000 Superdome Servers* and *HP-UX Impacts on the Upgrade Process for the rp8420 to rp8440 Hardware Upgrade* service documents.

Hardware Path Tables

The following tables show the new hardware paths. For details on the new hardware paths and other hardware information, see the applicable hardware upgrade manuals for your server, available at <http://docs.hp.com>.

Table 4-4 rp7420 to rp7440 Hardware Path Changes

rp7420 Path	rp7440 Path	Description
1/0/1/1/0/1/1.6	1/0/1/1/0/4/1.6	Top right HDD using A6794A or AB290A
0/0/0/3/0.6	0/0/0/3/0.6	Bottom left HDD using MP/SCSI
0/0/0/3/0.5	0/0/1/1/0/4/1.5	Bottom right HDD using MP/SCSI or AB290A

Table 4-4 rp7420 to rp7440 Hardware Path Changes (continued)

rp7420 Path	rp7440 Path	Description
1/0/0/3/1.x	1/0/0/3/1.x	Internal DVD/tape (x=2 for DVD, x=3 for DAT)
	0/0/0/3/1.2	Bottom slimline DVD, if present
1/0/1/1/0/4/0	1/0/1/1/0/6/0	Primary LAN
	1/0/1/1/0/6/1	Secondary LAN
0/0/8/1/0/4/0	0/0/1/1/0/6/0	Primary LAN
	0/0/1/1/0/6/1	Secondary LAN
1/0/1/1/0/1/0.x	1/0/1/1/0/4/0.x	external SCSI (A6794A/AB290A)
	1/0/1/1/0/4/1.x	external SCSI (AB290A), shared with internal HDD
0/0/8/1/0/1/0.x	0/0/1/1/0/4/0.x	external SCSI (A6794A/AB290A)
	0/0/1/1/0/4/1.x	external SCSI (AB290A), shared with internal HDD

Table 4-5 rp8420 to rp8440 Hardware Path Changes

rx8420 Path	rx8440 Path	Description
0/0/0/0/0	N/A	simplecom
0/0/0/0/1	[rootcell]/250/2	console UART
1/0/0/0/0	N/A	simplecom
1/0/0/0/1	[rootcell]/250/2	console UART

Table 4-6 HP 9000 Superdome Hardware Path Changes (x=cell)

Slot	sx1000 Path	sx2000 Path
0	x/0/0/1	x/0/0/1
1	x/0/1/1	x/0/1/1
2	x/0/2/1	x/0/2/1
3	x/0/3/1	x/0/4/1
4	x/0/4/1	x/0/5/1
5	x/0/6/1	x/0/6/1
6	x/0/14/1	x/0/14/1
7	x/0/12/1	x/0/13/1
8	x/0/11/1	x/0/12/1
9	x/0/10/1	x/0/10/1
10	x/0/9/1	x/0/9/1
11	x/0/8/1	x/0/8/1

Upgrading Backplanes from PCI to PCI-X

If you upgrade from the PCI to PCI-X backplane with the following server upgrades:

- rp7410 to rp7420
- the rp8400 to rp8420
- Superdome

the hardware paths of the I/O devices will change. The I/O device paths are in the format

- cell/sba/lba/**device**/function.target.lun

When changing from the PCI to PCI-X backplane, the **device** in the hardware paths will change from 0 to 1. So, if a hardware path before the upgrade was

- 1/0/8/0/0.6.0

the new hardware path is

- 1/0/8/1/0.6.0

Not all I/O hardware paths change after the PCI to PCI-X backplane upgrade. For details on the new paths for each slot, see the respective hardware upgrade manuals available at <http://docs.hp.com>.

For vPars and other changes, including the correct LVM and VxVM modifications on a vPars system, see the *LVM and vPars I/O Hardware Upgrade Process* document at <http://docs.hp.com/hpux/11i/index.html#Virtual%20Partitions>.

Be aware that instead of performing the upgrades for LVM, vPars, etc., you also have the option of performing a cold-install on the upgraded rp8420 or rp7420 as if they were new systems with no previous installations.

Updates Involving VPARSBASE

VPARSBASE (the free demo product for HP-UX 11i v1) is no longer available or supported.

You can update directly only from free product to newer free product or from purchased product to newer purchased product. You cannot update directly from free product to the purchased product.

If you wish to update from the free product to the purchased product, first you need to remove the free product VPARSBASE, and then install the purchased product T1335AC for HP-UX 11i v1.

To avoid having to recreate your vPars configuration, you can perform the following steps:

1. Backup the file `/stand/vpdb` (this file is the vPars partition database)
2. Remove the free product from all virtual partitions. See “Removing the vPars Product” (page 119).
3. Install the full product. See “Installing vPars with Ignite-UX on PA-RISC” (page 114) or “Installing vPars with Software Distributor” (page 118).

However, while in standalone mode, at the point where you would normally create the virtual partitions using `vparcreate`, restore `/stand/vpdb`.

Then continue with the installation as you normally would.

Installing vPars with Ignite-UX on PA-RISC

1. Boot your system using the Ignite-UX server. If your Ignite server’s IP address is `ww.xx.yy.zz`:

```
BCH> bo lan.ww.xx.yy.zz install
Interact with IPL: n
```

- Using the Ignite-UX server, install HP-UX, desired patches, the Quality Pack bundle, the vPars bundle, and the desired vPars-related bundles onto the disk that will be the boot disk of the first virtual partition.



NOTE: So that the TERM variable will always be set correctly, you should ensure that the first virtual partition owns the hardware console port. For more information, see “Assigning the Hardware Console LBA” (page 55).

- Use `ioscan` to verify the hardware addresses in your virtual partition plan.

```
# ioscan
```

- Create the virtual partitions using the information you prepared in the virtual partition plan.

For example, the non-nPartitionable system running A.03.xx:

```
# vparcreate -p winona1 -a cpu::2 -a cpu:::2 -a mem::1024 -a io:0.0 -a io:0.4 -a io:0/0/2/0.6.0:BOOT
# vparcreate -p winona2 -a cpu::2 -a cpu:::2 -a cpu:45 -a mem::1280 -a io:0.8 -a io:1.10 -a
io:0/8/0/0.5.0:BOOT
# vparcreate -p winona3 -a cpu::1 -a cpu:::1 -a mem::1280 -a io:0.5 -a io:1.4 -a io:1/4/0/0.5.0:BOOT
```

Or for the nPartitionable system running A.04.xx:

```
# vparcreate -p keira1 -a cpu::2 -a mem::1024 -a io:0.0.1 -a io:1.0.0 -a io:1/0/0/3/0.6.0:BOOT
# vparcreate -p keira2 -a cpu::1 -a cell:1:cpu::1 -a mem::1024 -a io:1.0.1 -a io:1.0.4 -a
io:1/0/4/1/0/4/0.1.0.0.0.0.1:BOOT
# vparcreate -p keira3 -a cpu::1 -a mem::1024 -a io:0.0.2 -a io:0.0.0 -a io:0/0/0/3/0.6.0:BOOT
```



NOTE: If you need to set your ILM or CLM granularity to values different from the defaults, you must do this using the first `vparcreate` command. For example, the first `vparcreate` command which creates the vPars database (`/stand/vpmon`) would be:

```
# vparcreate -p keira1 -g ILM:1024 -g CLM:1024 -a cpu::2 -a mem::1024
-a io:0.0.1 -a io:1.0.0 -a io:1/0/0/3/0.6.0:BOOT
```

For more information on granularity values, see “Memory: Granularity Concepts” (page 222).

- Reboot the system.

```
# shutdown -r
```

- Interrupt the boot process as your system comes back up to reach the ISL prompt.

```
BCH> bo pri
interact with IPL: y
```

- At the ISL prompt, boot the vPars Monitor and the first virtual partition.

Example:

```
ISL> hpux /stand/vpmon vparload -p winona1
```

- From the console of the running virtual partition (in this example, the running virtual partition is `winona1`), if the TERM environment variable is set to unknown, change the TERM environment variable to `hpterm`.

For example, in the POSIX shell the command is:

```
# export TERM=hpterm
```

- Continuing on the console of the running virtual partition (`winona1`), perform the following for each remaining virtual partition.

- Boot the target virtual partition from the running virtual partition using `vparboot`.

The syntax is:

```
# vparboot -p target_partition -I ignite_server,WINSTALL_path
```

For our example, if the target partition is `winona2`, we would execute the following command from `winona1`:

```
# vparboot -p winona2 -I ww.xx.yy.zz,/opt/ignite/boot/Rel_B.11.11/WINSTALL
```

You will see a message similar to the following:

```
<MON> winona2 loaded
```

- b. Press **Ctrl-A** until you see the console of the target partition. The console will display the Ignite-UX installation interface.
- c. Enter the boot disk path, lan info, hostname, and IP of the target partition into the Ignite-UX interface and install HP-UX, desired patches, the Quality Pack bundle, the vPars bundle, and the desired vPars-related bundles. As a result of this process, the virtual partition will automatically reboot.



TIP: If you get a garbled display, you can press **Ctrl-L** to refresh the display.

Your system should now be booted with all virtual partitions up.

Installing vPars with Ignite-UX on Integrity



NOTE:

LAN Cards are Used for Boot During Installation on Integrity Systems Unlike vPars on PA-RISC, vPars on Integrity uses the lan card of the target virtual partition for lanboot. Check that your LAN card is supported for boot on 11.23 Integrity systems. For more information, see the *HP-UX Virtual Partitions Ordering and Configuration Guide*.

Also, the I/O card and diagnostic utilities, such as FCFUPDATE and IODIAG.efi, will not operate in vPars mode; you must be in nPars mode. If you need to update firmware, it will be easier if you do so before booting in vPars mode. For information on modes, see “Modes: Switching between nPars and vPars Modes (Integrity Only)” (page 122).

1. Prepare the nPartition for Installation of HP-UX by setting the nPartition’s acpiconfig setting to default (for install of HP-UX) and verifying the hardware path of the first virtual partition.

Example:

- a. `acpiconfig`
Shell> **acpiconfig**
Acpiconfig settings: default

If you must change the acpiconfig setting from windows to default, you must first enter the `acpiconfig default` command, and then immediately enter `reset` to reboot using the new setting.

- b. `hardware path`

```
fs0: Acpi(000222F0,915)/Pci(0|0)/Scsi(Pun6,Lun0)/HD(Part1,SigF4250000)
```

2. From EFI, boot your system using the Ignite-UX server.

Example:

```
Shell> lanboot select  
01 Acpi(000222F0,0)/Pci(1|0)/Mac(00306E0E5268)  
  
Select Desired LAN: 1  
Selected Acpi(000222F0,0)/Pci(1|0)/Mac(00306E0E5268)  
Running LoadFile()  
CLIENT MAC ADDR: 00 30 6e 0e 52 68  
DHCP  
...
```



NOTE: lanboot information

Note that `lanboot` will show only the LAN cards that are supported for boot with your existing configuration. If the card(s) you expect to see are not displayed, it may be necessary to issue a `reconnect -r` at the EFI prompt. Then try `lanboot select` again.

Example:

```
Shell> reconnect -r
Shell> map -r
```

3. Using the Ignite-UX server, install the necessary bundles.

This includes HP-UX OE, any desired patches, the Quality Pack bundle, the vPars bundle, and any desired vPars-related bundles onto the disk that will be the boot disk of the first virtual partition.

4. Use `ioscan` to verify the hardware addresses in your virtual partition plan. You can also save this output since once within a vPars environment, `ioscan` will only show the hardware that can be seen from the local partition.

```
# ioscan
```

5. Create the virtual partitions using the information you prepared in the virtual partition plan.

Example:

```
# vparcreate -p keira1 -a cpu::2 -a mem::1024 -a io:0.0.1 -a io:1.0.0 -a io:1/0/0/3/0.6.0:BOOT
# vparcreate -p keira2 -a cpu::1 -a cell:1:cpu::1 -a mem::1024 -a io:1.0.1 -a io:1.0.4 -a
io:1/0/4/1/0/4/0.1.0.0.0.0.1:BOOT
# vparcreate -p keira3 -a cpu::1 -a mem::1024 -a io:0.0.2 -a io:0.0.0 -a io:0/0/0/3/0.6.0:BOOT
```



NOTE: If you need to set your ILM or CLM granularity to values different from the defaults, you must do this using the first `vparcreate` command. For example, the first `vparcreate` command which creates the vPars database (`/stand/vpmon`) would be:

```
# vparcreate -p keira1 -g ILM:1024:y -g CLM:1024:y -a cpu::2 -a mem::1024 -a io:0.0.1 -a io:1.0.0 -a
io:1/0/0/3/0.6.0:BOOT
```

For more information on granularity values, see “Memory: Granularity Concepts” (page 222).

6. Set the nPartition to boot into vPars mode.

```
# vparenv -m vPars
```

7. Reboot the system and from the EFI Boot Manager, run the EFI shell.

```
# shutdown -ry 0
```

8. From the EFI shell, boot the vPars Monitor and the first virtual partition.

```
Shell> fs0:
fs0:\> hpux
HPUX> boot /stand/vpmon vparload -p keira1
```

9. From the console of the running virtual partition, if the `TERM` environment variable is set to unknown, change the `TERM` environment variable to `hpterm`. For example, in the POSIX shell the command is.

```
keira1# export TERM=hpterm
```

10. Continuing on the console of the running virtual partition (keira1), perform the following for each remaining virtual partition.

- a. Boot the target virtual partition from the running virtual partition using `vparboot`.

The syntax for vPars A.05.04 or later versions is:

```
# vparboot -p <target_partition> -I [[-d dbprofile_name] [-s
ignite_ux_server_ip [-c client_ip -g gateway_ip -m subnet_mask] -b boot_file [-o
optional_data]]]
```

For our example, if the target partition is keira2, execute the following command from keira1:

```
# vparboot -p keira2 -I
```

or

```
vparboot -p keira2 -I -s 17.2.165.152 -c 17.2.163.92 -g
17.2.165.240 -m 255.255.248.0 -b /opt/ignite/boot/nbp.efi -o
IINSTALL
```

The syntax for vPars A.05.03 or earlier versions is:

```
# vparboot -p <target_partition> -I
```

For our example, if the target partition is keira2, execute the following command from keira1:

```
# vparboot -p keira2 -I
```

You will see messages similar to the following:

```
<MON> keira2 loaded
```

- b. Type **Ctrl-A** until you see the console of the target partition.

```
[keira2]
```

- c. Select a MAC address from the list to perform a LAN boot.

```
01 Acpi(000222F0,0)/Pci(1|0)/Mac(00306E0E5268)
Select Desired LAN: 1
```

```
Selected Acpi(000222F0,0)/Pci(1|0)/Mac(00306E0E5268)
Running LoadFile()
CLIENT MAC ADDR: 00 30 6e 0e 52 68
DHCP
...
```

- d. Using the Ignite-UX server, install the necessary bundles.

This includes HP-UX OE, any desired patches, the Quality Pack bundle, the vPars bundle, and any desired vPars-related bundles.

Your system should now be booted with all virtual partitions up.

Installing vPars with Software Distributor

1. For the root disk of each virtual partition, use Software Distributor to install HP-UX, desired patches, the Quality Pack bundle, the vPars software bundle, and the desired vPars-related bundles.
2. Boot the disk that is intended to be the boot disk of the first virtual partition into the normal (non-vPars) HP-UX environment.

In our example, if the primary path is set to the boot disk of the first virtual partition keira1, the command is:

- PA-RISC

```
BCH> bo pri
interact with IPL: n
```



NOTE: So that the TERM variable will always be set correctly, you should ensure that the first virtual partition owns the hardware console port. For more information, see “Assigning the Hardware Console LBA” (page 55).

- Integrity

```
Shell> fs0:
fs0:\> hpux
HPUX> boot vmunix
```
3. Use `ioscan` to verify the hardware addresses in your virtual partition plan:

```
# ioscan
```
 4. Create the virtual partitions using the information you prepared in the virtual partition plan. For example:

```
# vparcreate -p keiral -a cpu::2 -a mem::1024 -a io:0.0.1 -a io:1.0.0 -a io:1/0/0/3/0.6.0:BOOT
# vparcreate -p keira2 -a cpu::1 -a cell:1:cpu::1 -a mem::1024 -a io:1.0.1 -a io:1.0.4 -a
io:1/0/4/1/0/4/0.1.0.0.0.0.1:BOOT
# vparcreate -p keira3 -a cpu::1 -a mem::1024 -a io:0.0.2 -a io:0.0.0 -a io:0/0/0/3/0.6.0:BOOT
```
 5. If you are on an Integrity system, set the mode to vPars; otherwise, you will not be able to boot into the vPars environment:

```
# vparenv -m vPars
```
 6. Reboot the system.

```
# /etc/shutdown -r
```
 7. Boot the system to ISL or EFI shell and boot the vPars Monitor and all the virtual partitions:
 - PA-RISC

```
BCH> bo pri
interact with IPL: y
ISL> hpux /stand/vpmon vparload -all
```
 - Integrity

```
Shell> fs0:
fs0:\> hpux
HPUX> boot /stand/vpmon vparload -all
```

Your system should now be booted with all virtual partitions up.

Removing the vPars Product

From a Single Virtual Partition

To remove the vPars product, execute the `swremove` command from the target virtual partition. For example, to remove the vPars product from the partition `winona3`:

```
winona3# /usr/sbin/swremove -x autoreboot=true VirtualPartition
```

The product will be removed, and the virtual partition will be shut down. Because the vPars-specific kernel modifications have been removed, the OS instance cannot be booted again as a virtual partition. However, the OS instance can be booted into standalone mode.

If you are at the console of winona3, use **Ctrl-A** to toggle to another virtual partition.



CAUTION: Remove the vPars product only at the product level (VirtualPartition). Do NOT remove the vPars product at the bundle level (T1335AC or VPARSBASE). Recommended kernel patches are included in the vPars bundle; if the bundle is removed, these kernel patches will also be removed. For more information on bundles and patches, see the *Patch Management Guide for HP-UX 11.x* at <http://docs.hp.com>.



NOTE: When the vPars product is removed, the contents of the AUTO file in the LIF area will be set to the default hpux (where /stand/vmunix is the default argument). This is true even if you have previously modified the AUTO file to contain hpux /stand/vpmon. This replacement occurs on the boot devices associated with the target virtual partition, including the devices listed in /stand/bootconf and the primary and alternate paths of the target virtual partition. See *bootconf(4)* for more information on the file /stand/bootconf.

From the Entire System

1. Remove the vPars product from each virtual partition one by one.
2. After you have removed vPars from the last virtual partition, you will be at the vPars Monitor prompt. At this point, you can type REBOOT to reboot the system.

```
MON> reboot
```



NOTE: On Integrity systems, you will also need to change the mode from vPars to nPars in order to be able to boot in nPars (standalone) mode.

To uninstall VPARMGR or other vPars-related bundles, see “Installing and Removing vPars-related Bundles” (page 72).

5 vPars Monitor and Shell Commands

This chapter covers:

- Using Integrity systems
 - Setting Modes
 - EFI to Hardware Path Mappings
- Using the vPars Monitor
 - Booting the vPars Monitor
 - Accessing the vPars Monitor Prompt
 - Using vPars Monitor Commands
- Using the vPars Commands
 - vPars Manpages
 - vPars Commands Logging
 - Obtaining vPars Monitor and Hardware Resource Information
- Managing the Virtual Partitions
 - Creating a Virtual Partition
 - Booting a Virtual Partition
 - Shutting Down or Rebooting a Virtual Partition
 - Shutting Down or Rebooting the Hard Partition
 - When to Shutdown All Virtual Partitions
 - Removing a Virtual Partition
 - Using Primary and Alternate Boot Paths
 - Autobooting the vPars Monitor and All Virtual Partitions
 - Resetting a Hung Virtual Partition
 - Booting a Virtual Partition Into Single-User Mode
 - Using Other Boot Options
 - Simulating the AUTO File on a Virtual Partition
 - Modifying Attributes of a Virtual Partition
- Using an Alternate Partition Database File

Notes on Examples in this Chapter

Syntax of Example Commands

The example commands at the Unix shell level in the following section use the following syntax:

```
<HP-UX shell prompt><command>
```

where the shell prompt consists of the hostname of the current virtual partition and the hash sign (#). For example, if we log into `winona1` and run the `ls` command, the command is shown as:

```
winona1# ls
```

If we are logged into `winona1` and run the `vparboot` command with `winona3` as the target virtual partition, the command is shown as:

```
winona1# vparboot -p winona3
```

Example Server

Some examples in this section use the same non-cellular `rp7400/N4000` configuration as in the installation chapter. See “Full `ioscan` Output of Non-Cellular System Named `winona`” (page 47).

Note: unlike the `rp7400/N4000`, on a Superdome and other `nPartition` servers, the first element of the hardware path of the `ioscan` output is the cell number. For example, on the `rp7400/N4000` the `ioscan` output shows:

```
0/0      ba                Local PCI Bus Adapter (782)
```

However, on a cellular (`nPartitionable`) systems, the first element of the hardware path is the cell number. So, if the cell number is 4, the `ioscan` output shows:

```
4/0/0    ba                Local PCI Bus Adapter (782)
```



NOTE: *LBA must be explicitly specified when using vPars A.03.01 or earlier.* For details read “Planning, Installing, and Using vPars with an `nPartitionable` Server” (page 49).

Modes: Switching between `nPars` and `vPars` Modes (Integrity Only)

Modes

On an Integrity system, you will need to set the mode in order to boot into a specific mode. For `vPars` usage, there are only two modes:

- **vPars**
Sets the next `nPartition` boot to boot into the `vPars` environment. This allows you to boot the `vPars` Monitor and therefore the virtual partitions in the next `nPartition` boot. You still need to boot the `vPars` Monitor and the virtual partitions, but this mode allows you to do this.
- **nPars**
Sets the next `nPartition` boot to boot into the standalone environment. In this mode, you cannot boot the `vPars` Monitor and therefore the virtual partitions. However, you can boot any OE instance into standalone mode.



NOTE: If any of the following conditions occur, the OS must be booted in nPars mode:

- An nPartition is reconfigured, by adding, deleting, or moving CPUs or cells,
- The nPartition's NVRAM is cleared, or
- Hyperthreading is turned on for the first time.

Once booted to an HP-UX shell, use the `vparsenv` command, described below, to change the mode to vPars.

You can set the mode from the following levels using the corresponding commands:

Location	Command
HP-UX Shell	<code>vparsenv</code>
MON>	<code>reboot</code>
EFI	<code>vparconfig, parconfig</code>

Commands to Set the Mode

- **HP-UX Shell:** `vparsenv [-m mode]` where *mode* has the value of either vPars or nPars

Sets the mode for the next nPartition reboot. Note that this may sometimes take a few minutes to process.



CAUTION: After using `vparsenv` to change the boot mode from vPars mode to nPars mode, further booting and loading of virtual partitions will fail although the vPars Monitor has not been rebooted. To boot or load virtual partitions, use `vparsenv` to change the boot mode back to vPars mode.

Example:

To set the nPartition into vPars mode so that the next nPartition boot allows you to boot the vPars Monitor and therefore the vPars environment:

1. Set the mode

```
# vparsenv -m vPars
```
2. Then, you manually reboot the nPartition:

```
# shutdown -r
...
Shell> fs0:
fs0:\> hpux /stand/vpmon
...
MON>
```

- **vPars Monitor:** `reboot [mode]` where *mode* has the value of either vPars or nPars

Reboots the nPartition into the *mode* mode. If any virtual partitions are up, this will cause them to be shutdown ungracefully.

- **EFI:** `vparconfig [reboot mode]` where *mode* has the value of either vPars or nPars

Sets the *mode* for the next nPartition reboot and then also reboots the nPartition.

Note that `vparconfig` is **not a built-in EFI shell** command. You must go to the disk (for example, `fs0:`) to execute the `vparconfig` command.

Examples:

- To set the mode to vPars and then immediately reboot the nPartition into vPars mode:

```
Shell> fs0: 1
fs0:\> vparconfig reboot vPars 2
```

- 1 First access the disk.
- 2 Then execute the vparconfig command.

- To set the mode to nPars and then immediately reboot the nPartition into nPars mode

```
Shell> fs0: 1
fs0:\> vparconfig reboot nPars 2
```

- 1 First access the disk.
- 2 Then execute the vparconfig command.

- EFI:** parconfig [mode[-n]] where
mode has the value of only nPars. parconfig does not allow you to set the mode to vPars
 -n means no interactive prompts



NOTE: HP recommends using vparconfig instead of parconfig whenever possible; information on parconfig is provided here as additional information or when vparconfig is not present on the disk. vparconfig is installed only on the boot disks of the virtual partitions when vPars is installed. If the boot disks are removed or you switch boot disks, you may need to use parconfig.

Example To set the nPartition into nPars mode and reboot the nPartition:

1. First, set the mode:

```
Shell> parconfig nPars -n
```

2. Then, you can reboot the nPartition from either the EFI shell using the reset option:

```
Shell> parconfig reset
```

Differences Between vparconfig and parconfig

Table 5-1 vparconfig versus parconfig

	vparconfig	parconfig
EFI shell:	vparconfig is not a built-in EFI shell command, so you must execute vparconfig from the disk.	parconfig is a built-in EFI shell command, so you can execute parconfig from the EFI shell.
syntax:	vparconfig reboot mode	parconfig mode
nPartition reboot:	vparconfig automatically reboots the nPartition after you set the mode.	parconfig does not automatically reboot the nPartition. You must manually reboot the nPartition.

Usage Scenarios

- If you are running HP-UX in nPars mode (standalone), use the following vPars command to switch to vPars mode:

```
OS-Prompt> vparenv -m vPars 1
OS-Prompt> reboot
```

- 1 Sets the mode for the next nPartition reboot for the system to boot into vPars mode.

- If you are at the vPars Monitor prompt, use the following vPars Monitor command to switch to nPars mode:

```
MON> reboot nPars
```

The `reboot nPars` command sets the mode and reboots the system.

- If you are at EFI shell prompt, use the following EFI utility to switch to either nPars or vPars mode:

```
Shell> fsN:  
fsN:\> vparconfig reboot mode
```

Since `vparconfig` is not a built-in EFI shell command, you must go to the disk to execute `vparconfig`. For example, to switch to vPars mode:

```
Shell> fs0: 1  
fs0:\> vparconfig reboot vPars 2
```

- 1 Access the EFI partition of the disk.
- 2 Set the mode and reboot the system.



NOTE: `vparconfig` is an EFI utility which gets installed in the EFI partition during the installation of the vPars product.

- If you are at EFI shell prompt in vPars mode and you do not have vPars installed on any of your disks, you can use the built-in EFI command `parconfig` to switch to nPars mode:

```
Shell> parconfig nPars  
Shell> parconfig reset
```

Note: Remember to issue a `parconfig reset` after setting the mode. `parconfig nPars` only sets the mode to nPars. You must issue the `parconfig reset` to reset the system so that it boots into nPars mode.

Note: `parconfig` does not support switching to vPars mode. In other words, you can use `parconfig` to set the mode to nPars, but you cannot use `parconfig` to set the mode to vPars.

- During a cold-install of the OE and vPars software, the following general steps could occur:
 1. Boot and install the OE and vPars software as well as create the vPars database onto the intended boot disk of a virtual partition.
 2. Set the mode to vPars so that you can boot the nPartition into the vPars environment.

```
# vparenv -m vPars
```

3. Reboot the nPartition into the vPars environment and load the first virtual partition.
4. From the first virtual partition, use `vparboot -I` to install the OE and vPars software onto the remaining boot disks of the remaining virtual partitions.

For detailed steps on how to do the installation, see “Installing vPars with Ignite-UX on Integrity” (page 116).

- Suppose you have booted to the vPars Monitor prompt but are unable to load any vPars databases. You can boot the system into nPars (standalone) mode and attempt to look into the database without the vPars Monitor running. To do this:

1. Set the mode to nPars and reboot the nPartition:

```
MON> reboot nPars
```

2. During the nPartition bootup process, boot into standalone mode by booting the `vmunix` kernel instead of the vPars Monitor:

```
Shell> fs0:  
fs0:\> hpux.efi /stand/vmunix  
# vparstatus -v -D /stand/vpdb
```



CAUTION:

- When you set the mode to vPars for the first time on a system, you must use `vparsenv`. When a vPars database does not exist on a system, first boot into nPars (standalone) mode, create the vPars database, and then use `vparsenv -m vPars` to switch the mode to vPars. If `vparsconfig reboot vPars` is used and `vparsenv -m vPars` has not previously been executed on the system, it may not be possible to boot vPars.
 - Changing the mode to vPars should be performed using `vparsenv` instead of `vparsconfig` whenever possible.
-

**NOTE:**

- When the system is at the EFI shell prompt in vPars mode, you can use either one of the following commands to reset the nPartition:

```
EFI_Shell> parconfig reset
EFI_Shell> fsx:
fsx:\> vparconfig reboot vPars
```

The standard EFI Shell command `reset` *should not* be used to reset the system or nPartition when it is in vPars mode.

- If the desired mode is not set, you will not be able to boot into that mode. For example, you will not be able to boot the vPars Monitor (`/stand/vpmon`) when you are in nPars mode. Likewise, you will not be able to boot into standalone mode when you are in vPars mode.
 - On an Integrity system which has vPars software installed but does not have the correct firmware version installed, you will see the following behavior depending upon the mode of operation:
 - If the current mode is nPars, booting `vmunix` works as expected. Booting `vpmon` exits with an `unsupported environment` message.
 - If the current mode is changed to vPars using `vparsenv` or `vparsconfig`, the `hpux` loader does not allow boot of either the `vpmon` or `vmunix`. In this case, you should use `vparsconfig` to change mode back to nPars and reboot the system. You should then install the required firmware. See the *HP-UX Virtual Partitions Ordering and Configuration Guide* for information on the required firmware.
-

EFI Boot Disk Paths, including Disk Mirrors, and `vparsEFIutil` (Integrity Only)

On PA-RISC systems, the bootloader can boot a disk using only the hardware path of the disk. However, on Integrity systems, the bootloader requires the EFI path. On Integrity systems running vPars, the vPars database contains the initial hardware path to EFI path mappings; on boot of a virtual partition, the vPars Monitor transparently provides the EFI path from the vPars database to the bootloader so that a virtual partition can boot.

The EFI path changes whenever the boot area changes on the disk. During the initial creation of the vPars database, during the installation of an OS using `vparsboot -I`, and during the execution of the `setboot` command, the EFI paths are updated in the vPars database.

However, beyond the above situations, whenever the EFI path of an existing boot disk changes or an additional boot disk is added, including adding a boot disk mirror, the EFI mappings within the vPars database need to be updated. Otherwise, the virtual partition may not boot. Note that using `vparsmodify` to change a boot path in the vPars database does not update the EFI path in the vPars database.

To update the EFI path of a boot disk in the vPars database (for example, after creating a boot disk mirror), execute **vparsEFIutil -u** (-u for update) on each virtual partition. Other examples of when you should use `vparsEFIutil` include:

- For a specific HP-UX hardware path, if there is no EFI path mapping, the `vparboot` and `vparload` commands will fail with the following error message:
Primary boot path not found.
Internal error in setting up vPars variables.
"vpar" load failed.
- For a specific HP-UX hardware path, if the EFI path mapping is stale or not up to date, then booting from the disk will fail with an error message similar to the following:
Start of HP-UX HA Alternate Boot: 1/0/0/2/0.6.0 failed:
Not Found

`vparsEFIutil` without any options can be used to display the current hardware to EFI path mappings.

For more information on `vparefiutil` and all the possible options, see the manpage `vparefiutil(1M)`.



CAUTION: It is recommended to use the documented procedure of using `vparboot -I` to create the virtual partitions so that users do not have to use `vparload -E`. For information on the vPars Monitor command `vparload`, see the vPars Monitor manpage `vpmon(5)`.

`vparload -E` works in a trial and error fashion, meaning you may have to serially attempt different disk indices. If there are multiple boot disks belonging to a virtual partition, booting with `vparload -E` is easier if the EFI signature of the desired boot disk is known.

Attempting to boot from an incorrect boot disk may result in an ungraceful shutdown or early panic with the message "root already mounted" if another OS instance is already booted from that boot disk.



Following are some scenarios where you may need to perform additional actions if the EFI path to hardware path mappings are not up to date in the vPars database::

- Creating an alternate vPars database while in vPars mode.

Problem:

If an alternate vPars database is created while in vPars mode and the vPars Monitor is later booted using that alternate database, then it may not be possible to boot some of the virtual partitions of the alternate database if the EFI paths corresponding to those hardware paths are not present in the alternate database.

Solutions:

- The virtual partitions that could not boot can be re-installed using `vparboot -I`:
`vparboot -p partition_name -I`
 - The virtual partitions that could not boot can be booted using the vPars Monitor command `vparload`:
`vparload -p partition_name -E disk_index`
- Creating a virtual partition in vPars mode.

Problem:

If a virtual partition is created while in vPars mode, then it may not be possible to boot that partition if the EFI path corresponding to the boot disk hardware path is not present in the vPars database.

Solutions:

- The virtual partition can be re-installed using `vparboot -I`:
`vparboot -p partition_name -I`
 - The virtual partition can be booted using the vPars Monitor command `vparload`:
`vparload -p partition_name -E disk_index`
- An OS is installed *not* using `vparboot -I` and the database is created as a last step.

Problem:

If an OS is installed on one disk (for example, vpar1), the database (vpdb) is created on vpar1, an OS is installed on vpar2 in nPars mode, `vparenv` is executed on vpar2 to change the mode to vPars, and the vPars Monitor is booted from the boot disk of vpar1, then it may not be possible to boot vpar2.

Solutions:

- Boot from vpar1's boot disk into nPars mode and execute the following set of commands to update the vPars database and change the mode:
`vpar1# vparefiutil -u [-D /stand/vpdb]`
`vpar1# vparenv -m vPars`
 - Create the database (vpdb) on the last installed virtual partition and boot the vPars Monitor from it.
- MirrorDisk and EFI path.

Problem:

If the `idisk` command is executed on a disk during mirror disk creation, the EFI path of the disk may change. It may not be possible to then boot from the new mirrored disk using `vparboot -B`.

Solutions:

- After creating the mirror disk, set the mirror disk as alternate path using `setboot`.

```
# setboot -a mirror_disk_hw_path
```

- Execute the `vprefiutil` command on the new disk.

```
# vprefiutil -u [-H mirror_disk_hw_path]
```
- Booting from a recently added boot disk.

Problem:

If you add a boot disk at a known hardware path, it may not be possible to immediately boot from this new disk.

Solution:

- If the EFI signature of the disk is known, the `vpload -E` command can be used to boot from the disk.

vPars Monitor: Booting the vPars Monitor

To boot the vPars Monitor, from ISL or EFI, specify `/stand/vpmon`:

— PA-RISC:

```
ISL> hpux /stand/vpmon
```

— Integrity:

```
Shell> fs0:  
fs0:\> hpux  
HPUX> boot vpmon
```



NOTE: You must be in vPars mode to boot the vPars Monitor. See “Modes: Switching between nPars and vPars Modes (Integrity Only)” (page 122). Also, backspace is sometimes not parsed correctly; if the command fails, try again without backspacing.

With no arguments to `vpmon`, the vPars Monitor will load and go into interactive mode with the following prompt:

```
MON>
```

The following options are available when booting the vPars Monitor:

- a boots all virtual partitions that have the autoboot attribute set. For more information, see *vpmodify(1M)*.
- D *database_filename* boots the virtual partitions using an alternate partition database file. For more information, see “Using an Alternate Partition Database File” (page 171). The default partition database file is `/stand/vpdb`.

For more information on the vPars boot sequence, see “Boot Sequence” (page 30).

vPars Monitor: Accessing the vPars Monitor Prompt

You can reach the vPars Monitor prompt in the following ways:

- From the ISL or EFI prompt, you can boot the vPars Monitor into interactive mode (see “vPars Monitor: Booting the vPars Monitor” (page 130)).
- After shutting down all virtual partitions, you will arrive at the vPars Monitor prompt on the console (see “Shutting Down or Rebooting the nPartition (Or Rebooting the vPars Monitor)” (page 156)).
- A.03.xx and earlier: When the system monarch CPU is not owned by any virtual partition, you will also see the vPars Monitor prompt `MON>` while toggling among the virtual consoles. A monarch CPU exists in both non-vPars and vPars servers. After a server is powered-on, the monarch CPU determines what other CPUs are configured in the server and then launches

the other CPUs to create a multi-CPU server. Typically, the CPU with the lowest numbered hardware path address (belonging to the core cell for nPartitionable systems) is the monarch CPU. To see the lowest numbered hardware path, on a non-vPars server use `ioscan`, or on a vPars server use the vPars Monitor command `scan`.

- A.04.xx and A.05.xx: When any CPU is available, you will see the `MON>` prompt.

vPars Monitor: Using vPars Monitor Commands

You can use the following vPars Monitor commands at the vPars Monitor prompt for booting and basic troubleshooting. However, most vPars operations should be performed using the vPars shell commands.

Note the following for the vPars Monitor commands:

- Unless specifically stated, all operations occur only on the boot disk from which the vPars Monitor was booted. Usually, this is the boot disk of the primary path entry in system-wide stable storage.

Further, the vPars Monitor can traverse only HFS file systems. Usually, the only HFS file system is `/stand`.

- Except for the `vparload` command, an alternate disk device cannot be specified using the vPars Monitor commands.
- The following vPars Monitor commands are disabled when one or more virtual partitions are up:
 - `getauto`, `lifls`, and `readdb`.
- The following vPars Monitor commands are disabled when the virtual partition that owns the disk from which the vPars Monitor was booted, usually the primary path, is up:
 - `ls` and `cat`.



NOTE: You can see all the latest vPars Monitor commands and options from the `vpmon(5)` manpage.

Not all vPars Monitor commands are available on all platforms. The following common vPars Monitor commands are not available on Integrity systems: `cat`, `cbuf`, `getauto`, `lifls`, and `ls`. Refer to the `vpmon(5)` manpage for a complete list.

Booting

- `readdbfilename` reads an alternate partition database `filename` for partition configuration information
filename must be an absolute path and reside on a HFS file system.

Example:

- If you have a backup copy of the partition database in the file `/stand/vpdb.backup`, you can read the database configuration information using:

```
MON> readdb /stand/vpdb.backup
```

Notes:

- This command can only be used when the vPars Monitor `/stand/vpmon` is booted and the default partition database (`/stand/vpdb`) does not exist, the alternate partition database as specified in the `-D` option of `/stand/vpmon` does not exist, or the database file read is corrupt. For more information on the `-p` option, see “vPars Monitor: Booting the vPars Monitor” (page 130).

Integrity only: If you issue `readdb /stand/vpdb.backup`, the file that is actually read is at `/stand/boot.sys/stand/vpdb.backup`. The `vparcreate` command transparently creates the soft link from `/stand/boot.sys/stand/file` to `/stand/file`. Therefore, if you backup the database file using the Unix `cp` command, the `ln -s` command also should be executed to create the soft link. Otherwise, it will not be possible to boot from the backup database file.

- `vparload -all`

```
vparload -auto
```

```
vparload -p partition_name -b kernelpath -o boot_options -B hardware_path [-D disk_index] [-E disk_index]
```

boots the virtual partition *partition_name*; this command is similar to the vPars Unix shell command `vparboot`.

<code>-all</code>	Boots all virtual partitions, regardless of the <code>autoboot</code> or <code>autosearch</code> attributes. For more information on the <code>autoboot</code> or <code>autosearch</code> attributes, see the <code>vparcreate(1M)</code> or <code>vparmodify(1M)</code> manpages.
<code>-auto</code>	Boots all virtual partitions that have their <code>autoboot</code> attribute flag set to <code>AUTO</code> .
<code>-b kernelpath</code>	Boots the virtual partition using the kernel <i>kernelpath</i> instead of the default kernel.
<code>-o boot_options</code>	Boots the virtual partition using the options <i>boot_options</i> , such as <code>-is</code> for single-user mode or <code>-lm</code> for LVM maintenance mode.
<code>-B hardware_path</code>	Boots the virtual partition using the disk device at the <i>hardware_path</i> .
<code>-D disk_index</code>	(Integrity only) Supported by vPars A.05.02 and later. Launches the install kernel from the CD or DVD media specified by <i>disk_index</i> . If the <i>disk_index</i> specified is “X” the install kernel is launched from the disk “ <code>fsX:</code> ”. If installable media is not present at the index specified, the virtual partition will be shut down and the user must select a different <i>disk_index</i> .
<code>-E disk_index</code>	(Integrity only) Launches the vPars boot helper EFI application from the disk specified by the <i>disk_index</i> . The EFI boot helper prints the EFI paths of all the bootable disks belonging to the target virtual partition and prompts the user to select a disk to boot from. Under vPars A.05.02 and later, if the disk selected is a CD or DVD device, then the install kernel from the media is launched instead of the regular kernel and any boot options specified on the command line are ignored.

Examples:

- To boot the partition `winona2` into single-user mode:

```
MON> vparload -p winona2 -o "-is"
```

- To boot the partition `winona2` using the kernel `/stand/vmunix.prev`:

```
MON> vparload -p winona2 -b /stand/vmunix.prev
```

- To boot the partition `winona2` using the disk device at `0/8/0/0.2.0:`

```
MON> vparload -p winona2 -B 0.8.0.0.2.0
```

Note:

- `-b kernelpath` allows you to change the target kernel for only the next boot of `partition_name`. If you wish to make a permanent change to the partition database, use the `vparmodify` command.

For example, to change the partition database information so that `winona2` always boots using `/stand/vmunix.other`:

```
# vparmodify -p winona2 -b /stand/vmunix.other
```

See the `vparmodify(1M)` manpage for more information on modifying the partition database.

(vPars A.04.01) For 11i v2 (11.23) systems, alternate kernels are in the directory `/stand/alternate_config/`.

Also, when a virtual partition is booted, there may be a pause in the console output. For more information, see “[Booting a Virtual Partition](#)” (page 154).

Finally, when there is a pending Reboot for Reconfiguration for the involved nPartition, the target virtual partitions will not be booted until all the virtual partitions within the nPartition have been shut down and the vPars Monitor rebooted. For more information see “[Shutting Down or Rebooting the nPartition \(Or Rebooting the vPars Monitor\)](#)” (page 156).

- `bootpath` displays the device from which the vPars Monitor (`/stand/vpmon`) was booted

Example:

```
MON>bootpath
disk(0.0.2.0.6.0)
```

- `reboot [mode]` reboots the entire hard partition. Other hard partitions are not affected. `mode` sets the mode for the next reboot and has the value of either `nPars` or `vPars`. This is applicable on only Integrity systems.



NOTE: You should shut down each virtual partition (using the Unix shut down command) prior to executing the vPars Monitor `reboot` command. A confirmation prompt is provided, but if you accept confirmation of the reboot while any virtual partitions are running, the reboot brings the running partitions down ungracefully. For more information, see “[Shutting Down or Rebooting the nPartition \(Or Rebooting the vPars Monitor\)](#)” (page 156).

Displaying Information

- `cat filename [openonly]` displays the contents of `filename`. When `openonly` is specified, this command only prints "open succeeded" if the vPars Monitor was able to open the `filename`. This command is similar to the Unix `cat` command.

`filename` must be a text file on an HFS file system.

`/stand` is the default directory

Example:

- To display the file `/stand/notes.txt`

```
MON> cat notes.txt
10/13/2001: built new kernel today. if problems arise, revert to saved kernel vmunix.original
```

- `cbufpartition_name` displays the contents of the console buffer of `partition_name`
- `clear_pending` clears a pending Reboot for Reconfiguration. If there is a pending Reboot for Reconfiguration within the nPartition, no virtual partitions can be rebooted until all the virtual partitions within the given nPartition are shut down and the involved vPars Monitor

is rebooted. If Reboot for Reconfiguration has been set in error, the `clear_pending` command clears it, enabling virtual partition boots.

- `help` `help` or `?` lists all vPars Monitor commands
- `lifls` lists the files in the LIF area
- `getauto` displays the contents of the AUTO file in the LIF area

Example:

```
— MON> getauto
  hpux /stand/vpmon
```

- `log` displays the contents, including warning and error messages, of the vPars Monitor log. The vPars Monitor log holds up to 16 KB of information in a circular log buffer. The information is displayed in chronological order.
- `ls [-alNiFH] [directory]` lists the contents of *directory*. This command is similar to the Unix `ls` command.

directory must be on a HFS file system. `/stand` is the default directory

The `ls` command-line options are the same as the Unix shell `ls` options. For detailed explanations, see the `ls(1M)` manpage. In brief:

- a all entries
- l long listing
- n numerical UIDs and GIDs
- i inode
- F appends a character after the entry, depending on the file type, such as a / (slash) for a directory

For example, to view the listing of files in winona2's `/stand` directory:

```
MON> ls /stand
lost+found      ioconfig      bootconf      system
system.d       vmunix       dlkm.vmunix.prevbuild
kernelrel      rootconf     vpdb         vpmon.dmp
vmunix.backup  system.prev  vmunix.prev   dlkm
vpdb.backup    vpmon
```

- `monadmin` controls the vPars flexible administrative capability feature, as described in Chapter 11: “vPars Flexible Administrative Capability” (page 291). For usage information, see “`monadmin`” (page 294).
- `scan` lists all hardware discovered by the vPars Monitor and indicates which virtual partition owns each device.
- `settime [MM DD YYYY hh mm ss]` sets the system's real time clock. Acceptable date range is 1-1-1970 00:00:00 to 12-31-2034 23:59:59.
- `threads` controls the use of hyperthreading on servers with dual core Intel Itanium processors. For usage information, see “CPU: Hyperthreading ON/OFF (HT ON/OFF)” (page 207).
- `time` displays system real time clock and OS time of all the virtual partitions in GMT (Greenwich Mean Time). The OS time displayed will consider the RTC and clock drift for the virtual partition. However, if the partition is up, there may be difference in the OS time displayed.

- `toddriftreset` resets the drifts of the real-time clock. Use this command if you reset the real-time clock of the hard partition at the BCH prompt. For brief information, see “Real-time clock (RTC)” (page 23).
- `vparinfo [partition_name]` This command is for HP internal use only.

vPars Monitor: Using the vPars Monitor Commands from ISL or EFI

You can specify any of the vPars Monitor commands either at the vPars Monitor prompt (MON>) or at the ISL prompt (ISL>). If you are at ISL or EFI, use the desired command as the argument for the vPars Monitor `/stand/vpmon`.

For example, to run the command `vparload -p winona1` from the vPars Monitor prompt, use

```
MON> vparload -p winona1
```

To run the same command from ISL or EFI, use

```
ISL> hpux /stand/vpmon vparload -p winona1
```

```
Shell> fs0:efi\hpux\hpux boot vpmon vparload -p winona1
```

where the command (`vparload -p winona`) is the argument for the vPars Monitor (`/stand/vpmon`).

Commands: vPars Manpages

The purpose of this document is to describe vPars concepts and how to perform common vPars tasks. For detailed information on the vPars commands, including description, syntax, all the command line options, and the required state of a virtual partition for each command, see the vPars manpages.



NOTE: The `vparresources(5)` manpage contains critical information about the vPars commands, including option precedence and the required state of a virtual partition prior to command execution. The `vparcreate(1M)` and `vparmodify(1M)` manpages contain autoboot information.

Note the following on vPars manpages:

- If your OS is setup to use manpage keywords and vPars is installed, you can run the following to see the current list of vPars manpages.

```
# man -k vpar
```

For more information on manpage keywords and using `catman -w`, see the manpage `catman(1M)` and the manual *Managing Systems and Workgroups* (11.11, 11.23) or *HP-UX Systems Administrator's Guide* (11.31), available at <http://docs.hp.com>.

- As of this printing, the vPars manpages are:

```
vecheck(1), vparadmin(1M), vparboot(1M), vparconfig(1M), vparcreate(1M), vparadbprofile(1M), vparefiutil(1M), vparenv(1M), vparmodify(1M), vparremove(1M), vparreset(1M), vparstatus(1M), vparutil(1M), vparresources(5), vpartition(5), vpmon(5)
```

Commands: vPars Commands Logging

Beginning with vPars A.03.02, vPars will log the vPars commands executed from the HP-UX shell to the local syslog file (the syslog file of the virtual partition from which the vPars command was executed).

Log File Location and Log Format

The default syslog file on HP-UX systems is `/var/adm/syslog/syslog.log`.

The format of the log entries is

```
date hostname vPars_command_name[pid]: user username:
vPars_command_line_text

date hostname vPars_command_name[pid]: exit status exit_status
```

where

- `vPars_command_name` is the name of the vPars command which is sending messages to syslog.
- `username` is the name returned by `getlogin()`. If no username is given by `getlogin()`, the effective username or id will be used.
- `vPars_command_line_text` is the vPars command line text as typed by the user.
- `pid` is the pid (Process ID) of the command invocation. The PIDs shown will be the same for both the command invocation syslog entry and the exit status syslog entry. This allows matching the exit status with its corresponding command invocation.

Below are examples of vPars syslog entries.

```
Oct 29 19:44:30 winona2 vparutil[2947]: user root: vparutil -s
1/0/0/3/1.7.0 -i 7
Oct 29 19:44:30 winona2 vparutil[2947]: exit status 4
Oct 29 19:47:47 winona2 vparmodify[2962]: user root: /sbin/vparmodify
-p winona3 -a cpu::1
Oct 29 19:47:47 winona2 vparmodify[2962]: exit status 1
```

Cases Where No Logging Occurs

Below are the cases where logging does *not* occur:

- a non-root user attempting a vPars command
- syntax, usage, or vPars commands version errors
- vPars commands which do not change the vPars database and/or do not affect the state of other virtual partitions. These commands include `vparstatus`, `vpextract`, `vecheck`, `vpardump`, and `vparreloc`.

Additionally, for only vPars A.03.03 and earlier and A.04.02 and earlier, logging does not occur in these cases as well:

- the user replies “no” to vPars commands that request a confirmation before execution
- read-only requests, such as `vparutil -g (get)`.

Cases Where Logging Occurs

Below are the cases where logging does occur:

- vPars command which change the vPars database and/or affect the state of other virtual partitions.
These commands include `vparadmin`, `vparboot`, `vparcreate`, `vprefiutil`, `vparenv`, `vparremove`, `vparmodify`, `vparreset`, and `vparutil`.

Constraints and Restrictions to Logging

Note the following:

- Commands will be logged whether executed on the vPars database in memory, an alternate database, or in standalone mode.
- The command line text will be logged on only the partition from which the command was executed. The logging of the command will not be *duplicated* to the target syslog file (the syslog file of the target virtual partition).

For example, if the `vparmodify` command is executed from `winona1` with the target partition being `winona2` (`winona1# vparmodify -p winona2 . . .`), the syslog entries will only appear in the log file of `winona1`. Nothing will appear in the log file of `winona2`.

- Error messages from the failure of a `vpar*` command execution are not logged.

Additionally, for only vPars A.03.03 and earlier and A.04.02 and earlier:

- When confirmation to execute a vPars command is requested, but the user replies “no”, the vPars command is not logged.

Syslog and Priority and Facility Codes

With the logging, vPars uses LOG_INFO as the priority level and LOG_USER as the facility.



NOTE:

nPartition Logs (see also “nPartition Logs” (page 35)) On an nPartition server running vPars, all virtual partitions within an nPartition share the same console device: the *nPartition’s console*. Thus, an nPartition’s console log contains console I/O for multiple virtual partitions. Further, since the vPars Monitor interface is displayed and accessed through the nPartition’s console, vPars Monitor output is also recorded in the nPartition’s console log. There is only one vPars Monitor per nPartition.

The *server chassis logs* record nPartition and server complex hardware events. The chassis logs do not record vPars-related configuration or vPars boot events; however, the chassis logs do record HP-UX “heartbeat” events. The server chassis logs are viewable from the GSPs Show Chassis Log menu. For more information, see the Help within the GSPs online help.

The *vPars Monitor event logs* record only vPars events; it does not contain any nPartition chassis events. For more information, see `vparstatus(1M)`.

Also, for a given nPartition, the Virtual Front Panel (VFP) of the nPartition’s console displays an OS heartbeat whenever at least one virtual partition within the nPartition is up.

Commands: Displaying vPars Monitor and Resource Information (vparstatus)

The vPars Monitor and the partition database maintains information about all the virtual partitions, including the current state of the virtual partitions and their resources. Using the shell command `vparstatus`, you can display this information. This section describes the possible virtual partition states and the common usages of the `vparstatus` command.

Virtual Partition States

Virtual partitions can be in the following states:

Table 5-2 Virtual Partition States

State	Description
load	The vPars Monitor is loading the kernel image of the virtual partition. This is the first step of booting a virtual partition. If successful, the state moves to <code>boot</code> .
boot	The vPars Monitor has successfully loaded the kernel image and is continuing with the boot process. If the launch is successful, the state moves to <code>up</code> .
up	The virtual partition is up and running.

Table 5-2 Virtual Partition States *(continued)*

State	Description
shut	The virtual partition is shutting down gracefully. Once the partition is shutdown, the state moves to down.
down	The virtual partition is down.
crash	The virtual partition is crashing because of a panic (HPMC, TOC, etc.). Once the partition has completed crashing, the state moves to down.
hung	The virtual partition is not responding.
N/A	The virtual partition is in a database file that is not active, so it has no state. The database file can be inactive because either the system is in standalone mode (the vPars Monitor is not running) or the database file acted upon is an alternate database file that is not in vPars Monitor memory.

vparstatus Output Examples

The next few pages show examples of using the `vparstatus` command:

- “vparstatus: Summary Information” (page 139)
- “vparstatus: Verbose Information” (page 140)
- “vparstatus: Available Resources” (page 142)
- “vparstatus: Pending Migrating CPUs Operations” (page 147)
- “vparstatus: Dual-Core CPUs” (page 146)
- “vparstatus: CPU Information on vPars A.04/A.05” (page 144)
- “vparstatus: Pending Migrating Memory Operations” (page 148)
- “vparstatus: Pending nPartition Reboot for Reconfiguration” (page 150)
- “vparstatus: vPars Monitor and Database Information” (page 151)



NOTE:

- Actual `vparstatus` output differs from version to version of vPars. Depending on your version and system, the output shown below may differ. For detailed usage, syntax, and information, see the manpage `vparstatus(1M)` on your vPars system.
 - The kernel path shown in the `vparstatus` output is the kernel path set in the vPars database. This may differ from the actual kernel in use.
-

vparstatus: Summary Information

Use **vparstatus** with **no options**.

Examples

- vPars A.03.xx on a rp7400:

```
winona1# vparstatus
[Virtual Partition]
```

Virtual Partition Name	State	Attributes	Kernel Path	Boot Opts
winona1	Up	Dyn,Auto	/stand/vmunix	
winona2	Up	Dyn,Auto	/stand/vmunix	
winona3	Up	Dyn,Auto	/stand/vmunix	

[Virtual Partition Resource Summary]

Virtual Partition Name	CPU		Num Bound/Unbound	Num IO devs	Memory (MB)	
	Min/Max				# Ranges/Total MB	Total MB
winona1	2/ 8	2 0	2	0/ 0	1024	
winona2	2/ 8	2 1	2	0/ 0	1280	
winona3	1/ 8	1 0	2	0/ 0	1280	

- vPars A.04.xx/A.05.xx on an Integrity Superdome:

```
thurman24# vparstatus
[Virtual Partition]
```

Virtual Partition Name	State	Attributes	Kernel Path	Boot Opts
thurman24	Up	Dyn,Auto,Nsr	/stand/vmunix	
thurman25	Up	Dyn,Auto,Nsr	/stand/vmunix	
thurman26	Up	Dyn,Auto,Nsr	/stand/vmunix	
thurman27	Up	Dyn,Auto,Nsr	/stand/vmunix	

[Virtual Partition Resource Summary]

Virtual Partition Name	CPU		Num CPUs	Num IO	Memory Granularity	
	Min/Max				ILM	CLM
thurman24	1/ 28		1	3	128	128
thurman25	1/ 28		6	2	128	128
thurman26	1/ 28		3	3	128	128
thurman27	1/ 28		3	4	128	128

Virtual Partition Name	ILM		Memory (MB)	
	# User Ranges/MB	Total MB	# User Ranges/MB	Total MB
thurman24	0/ 0	1024	0/ 0	0
thurman25	1/1024	1024	0/ 0	0
thurman26	0/ 0	1024	1/ 256	256
thurman27	1/ 512	1024	1/ 768	1024

vparstatus: Verbose Information

Use **vparstatus** with **verbose (-v)** option.

Examples

- vPars A.03.xx on a rp7400:

```
winona1# vparstatus -p winona2 -v
[Virtual Partition Details]
Name:          winona2
State:         Up
Attributes:    Dynamic, Autoboot
Kernel Path:   /stand/vmunix
Boot Opts:
```

```
[CPU Details]
Min/Max:      1/8
Bound by User [Path]:  41
                                     45
Bound by Monitor [Path]:
Unbound [Path]:  97
```

```
[IO Details]
  0.8.0.0.5.0  BOOT
  0.8
  1.10
```

```
[Memory Details]
Specified [Base /Range]:
                (bytes) (MB)
Total Memory (MB):  1280
```

- vPars A.04.xx on an Integrity Superdome:

```
thurman24# vparstatus -p thurman25 -v
[Virtual Partition Details]
Name:          thurman25
State:         Up
Attributes:    Dynamic, Autoboot, Nosearch
Kernel Path:   /stand/vmunix
Boot Opts:
```

```
[CPU Details]
Min/Max:      1/28
User assigned [Path]:
Boot processor [Path]:  13.120
Monitor assigned [Path]:  1.121
                                     1.122
                                     3.122
                                     3.123
                                     4.121
```

```
Non-cell-specific:
  User assigned [Count]:      1
  Monitor assigned [Count]:   3
Cell-specific [Count]:  Cell ID/Count
                                     1      2
```

```
[IO Details]
  1.0.12
  1.0.12.1.0.4.0.8.0.255.0.2.0  BOOT
```

```
[Memory Details]
ILM, user-assigned [Base /Range]:  0x100000000/1024
                (bytes) (MB)
```

```

ILM, Monitor-assigned [Base /Range]:
                        (bytes) (MB)
ILM Total (MB): 1024
ILM Granularity (MB): 128
CLM, user-assigned [CellID Base /Range]:
                        (bytes) (MB)
CLM, Monitor-assigned [CellID Base /Range]:
                        (bytes) (MB)
CLM (CellID MB):
CLM Granularity (MB): 128

```

- vPars A.05.xx on an rp7420:

```

# vparstatus -p vpkeiral -v
[Virtual Partition Details]
Name:          vpkeiral
State:         Up
Attributes:    Dynamic,Autoboot,Nosearch
Kernel Path:  /stand/vmunix
Boot Opts:

```

```

[CPU Details]
Min/Max: 3/12
User assigned [Path]:
Boot processor [Path]: 0.10
Monitor assigned [Path]: 0.11
                        0.12

```

```

Non-cell-specific:
  User assigned [Count]: 0
  Monitor assigned [Count]: 3
Cell-specific [Count]: Cell ID/Count
                        <none>

```

```

[IO Details]
  0.0.8.1.0.4.0
  0.0.0.3.0.6.0.0.0.0
  0.0.0.3.0.6.0 BOOT

```

```

[Memory Details]
ILM, user-assigned [Base /Range]:
                        (bytes) (MB)
ILM, monitor-assigned [Base /Range]: 0x8000000/128
                        (bytes) (MB) 0x80000000/896
ILM Total (MB): 1024 (Floating 0)

```

```

ILM Granularity (MB): 128

```

```

CLM, user-assigned [CellID Base /Range]:
                        (bytes) (MB)
CLM, monitor-assigned [CellID Base /Range]: 0 0x70090000000/512
                        (bytes) (MB)
CLM (CellID MB): 0 512 (Floating 0) CLM Granularity (MB): 128[OL* Details]
Sequence ID: 2
Operation: Memory Range Deletion
Status: PASS

```

vparstatus: Available Resources

Use **vparstatus** with **available resources (-A) option**. This shows the resources not assigned to any virtual partitions.

Examples

- A.03.xx on a rp7400 (non-nPartitionable server)

```
winona1# vparstatus -A
[Unbound CPUs (path)]:  101
                        109
[Available CPUs]:      2

[Available IO devices (path)]:  1.2

[Unbound memory (Base /Range)]:  0x40000000/256
                                   (bytes) (MB)
[Available memory (MB)]:  256
```

- A.04.xx on a rp7420 (nPartitionable server)

```
keiral# vparstatus -A
[CPUs (path)]:  0.11
                0.12
                0.13
                1.11
                1.13
                1.14
[CLP (CellID Count)]:  0 3
                       1 3
[Available CPUs]:      5

[Available I/O devices (path)]:  0.0.0
                                   0.0.1
                                   0.0.4
                                   0.0.6
                                   0.0.10
                                   0.0.12
                                   0.0.14
                                   1.0.1
                                   1.0.2
                                   1.0.4
                                   1.0.6
                                   1.0.8
                                   1.0.10
                                   1.0.14

[Available ILM (Base /Range)]:  0x0/256
                                   (bytes) (MB) 0x18000000/2560
                                   0xf0000000/2304
[Available ILM (MB)]:  4096

[Available CLM (CellID Base /Range)]:  0 0x70080000000/2048
                                   (bytes) (MB)
[Available CLM (CellID MB)]:  0 2048
                               1 0
```

- A.05.xx on a rp7420

```
# vparstatus -A
[CPUs (path)]:  1.10
                0.13
                0.14
                0.15
                1.11
                1.12
```

```

1.13
1.14
1.15
[CLP (CellID Count)]: 0 2
                      1 5
[Available CPUs]: 3

[Available I/O devices (path)]: 0.0.4
                                0.0.6
                                0.0.10
                                0.0.12
                                0.0.14
                                1.0.1
                                1.0.2
                                1.0.6
                                1.0.8
                                1.0.10
                                1.0.14

[Available ILM (Base /Range)]: 0x3000000/80
                                (bytes) (MB) 0x10000000/512
                                0x50000000/768
                                0xb8000000/1024
                                0x100000000/1920
                                0x178000000/96

[Available ILM (MB)]: <none>

[Available CLM (CellID Base /Range)]: 0 0x70080000000/256
                                (bytes) (MB) 0 0x700b0000000/1152
                                0 0x700f8000000/120

[Available CLM (CellID MB)]: 0 504
                              1 0

#

```

vparstatus: CPU Information on vPars A.04/A.05

While a virtual partition is in the down state, no specific CPU is assigned to the virtual partition as the boot processor but one is allocated by the vPars Monitor if needed (there are no CPUs assigned to the virtual partition). The boot processor is determined when the virtual partition is booted.

Note that the output does not determine which commands were issued; different commands can be used to arrive at the same vparstatus output.

Example

Table 5-3 possible commands to arrive at vparstatus output

vparstatus output (final)	set of possible commands in sequence to create vparstatus output
<pre>keiral # vparstatus -p keiral -v [Virtual Partition Details] Name: keiral State: Up Attributes: Dynamic,Autoboot,Autosearch Kernel Path: /stand/vmunix Boot Opts: [CPU Details] Min/Max: 1/12 User assigned [Path]: 1.10 Boot processor [Path]: 1.12 Monitor assigned [Path]: 0.10 0.11 1.11 Non-cell-specific: User assigned [Count]: 2 Monitor assigned [Count]: 2 Cell-specific [Count]: Cell ID/Count 1 ... </pre>	<pre># vparcreate -p keiral -a cpu:::1:12 -a cpu:::4 (min==1, max==12, total==4 4 non-CLPs are reserved by the Monitor) # vparmodify -p keiral -a cpu:1/10 -a cpu:1/12 (since the vpar is down, total is not modified. therefore, 2 of the 4 CPUs assigned by the Monitor become user-assigned by hardware_path (1.10 and 1.12). total==4 (2 assigned by hardware path and 2 assigned by Monitor)) # vparmodify -p keiral -a cell:1:cpu::1 (since the specification is by CLP, total is modified. the Monitor chooses which CPU from cell 1. total==5 (2 assigned by hardware path and 2 assigned by Monitor and 1 assigned by CLP)) # vparboot -p keiral assume I/O and memory have been assigned so that keiral can boot. at boot time: min==1, max==12 user-assigned CPU is 1.10 boot processor is chosen by Monitor to be the other user-assigned CPU at 1.12 2 CPUs assigned by Monitor are 0.10 and 0.11 1 CPU assigned by the Monitor by CLP is 1.11 </pre>

Table 5-4 possible commands to arrive at vparstatus output

vparstatus output (final)	another set of possible commands in sequence to create vparstatus output
<pre> keiral # vparstatus -p keiral -v [Virtual Partition Details] Name: keiral State: Up Attributes: Dynamic, Autoboot, Autosearch Kernel Path: /stand/vmunix Boot Opts: [CPU Details] Min/Max: 1/12 User assigned [Path]: 1.10 Boot processor [Path]: 1.12 Monitor assigned [Path]: 0.10 0.11 1.11 Non-cell-specific: User assigned [Count]: 2 Monitor assigned [Count]: 2 Cell-specific [Count]: Cell ID/Count 1 ... </pre>	<pre> # vparcreate -p keiral -a cpu:1.12 (total==1) # vparboot -p keiral (assume I/O and memory have been assigned so that keiral can boot. at this point the cpu assigned by hw_path (1.12) is the only CPU, so it becomes the boot processor. Note that 1.12 is only listed once; it is not listed under both "Boot Processor" and "User Assigned") # vparmodify -p keiral -a cpu:1.10 (1.10 is added and listed as "user assigned") # vparmodify -p keiral -a cpu::2 (0.10 and 0.11 are chosen by the Monitor and added) # vparmodify -p keiral -a cell:1:cpu::1 (1.11 is added and listed under "Cell-specific") </pre>

vparstatus: Dual-Core CPUs

You can see the sibling and virtual partition assignment using `vparstatus -d`. If you do not have a dual-core system, the output will show dashes (-) for the sibling and assignment information.

Example

```
# vparstatus -d
CPU                               Cell Config
path  CPU HPA                    ID  Status Assigned to  Sibling Information
=====
0.10  0xffffffffffc078000         0  E      vpuma02           -      -
0.11  0xffffffffffc07a000         0  E      vpuma01           -      -
0.12  0xffffffffffc07c000         0  E      vpuma04           -      -
0.13  0xffffffffffc07e000         0  E      -                 -      -
...
```

When you do have dual-core system, the `vparstatus -d` output will look similar to the following:

```
# vparstatus -d
CPU                               Cell Config
path  CPU HPA                    ID  Status Assigned to  Sibling Information
=====
0.10  0xffffffffffc070000         0  E      vpkeira1          0.11  vpkeira3
0.11  0xffffffffffc071000         0  E      vpkeira3          0.10  vpkeira1
0.12  0xffffffffffc074000         0  E      -                 0.13  vpkeira4
0.13  0xffffffffffc075000         0  E      vpkeira4          0.12  -
0.14  0xffffffffffc078000         0  E      -                 0.15  -
0.15  0xffffffffffc079000         0  E      -                 0.14  -
...
```

vparstatus: Pending Migrating CPUs Operations

Migrating CPUs may not occur instantaneously. If a virtual partition has a pending (in other words, still in progress) addition or deletion of one or more CPUs, the letter **p** will be displayed next to the number of CPUs in the summary output and the words **(migration pending)** will be displayed in the detailed output:

Example

```
winona1# vparstatus
.
.
.
[Virtual Partition Resource Summary]

          CPU      Num      Memory (MB)
          CPU      Bound/   IO      # Ranges/
Virtual Partition Name      Min/Max  Unbound  devs  Total MB  Total MB
=====
winona1          2/ 8      2  0      2      0/ 0      1024
winona2          2/ 8      2  1p     2      0/ 0      1280
winona3          1/ 8      1  0      2      0/ 0      1280

winona1# vparstatus -p winona2 -v
...
[CPU Details]
Min/Max: 1/8
Bound by User [Path]: 41
                    45
Bound by Monitor [Path]:
Unbound [Path]: 97 (migration pending)

[IO Details]
0.8.0.0.5.0 BOOT
0.8
1.10

[Memory Details]
Specified [Base /Range]:
                (bytes) (MB)
Total Memory (MB): 1280
```

For more information on canceling pending memory or CPU operations, see “Memory, CPU: Canceling Pending Operations” (page 210).

vparstatus: Pending Migrating Memory Operations

Migrating memory may not occur instantaneously. If a virtual partition has a pending (in other words, still in progress) addition or deletion of memory, the letter **p** will be displayed next to the total ILM in the summary output and the words (Migration pending) will be displayed in the detailed output:

Example

- winonal# **vparstatus**
...
[Virtual Partition Resource Summary]
...

Virtual Partition Name	ILM		Memory (MB)		CLM	
	# User Ranges/MB	Total MB	# User Ranges/MB	Total MB	# User Ranges/MB	Total MB
winonal	1/ 128	4352 p	1/ 128	640 p		
winona2	0/ 0	2560	0/ 0	0		
winona3	0/ 0	1224	0/ 0	0		
- winonal# **vparstatus -p winonal -v**
...
[Memory Details]
ILM, user-assigned [Base /Range]:
(bytes) (MB)
ILM, monitor-assigned [Base /Range]: 0x20000000/128
(bytes) (MB) 0x2f0000000/3968
0x688000000/256
ILM Total (MB): 4352 (Floating 256) (**Migration pending**)

ILM Granularity (MB): 128

CLM, user-assigned [CellID Base /Range]: 0 0x704c000000/128
(bytes) (MB)
CLM, monitor-assigned [CellID Base /Range]: 0 0x703c000000/384
(bytes) (MB) 0 0x7050000000/128
CLM (CellID MB): 0 640 (Floating 128) (**Migration pending**)

CLM Granularity (MB): 128

[OL* Details]
Sequence ID: 1234
Operation: Memory Addition
Status: PENDING

For more information on canceling pending memory or CPU operations, see “Memory, CPU: Canceling Pending Operations” (page 210).

vparstatus: Base and Float Memory Amounts

With vPars A.05.xx, you can assign ILM and/or CLM memory as either base or float. The verbose (-v) output of vparstatus shows how much is float relative to the total ILM and CLM memory that is assigned.

```
# vparstatus -p keira4 -v
...
[Memory Details]
ILM, user-assigned [Base /Range]:
      (bytes) (MB)
ILM, monitor-assigned [Base /Range]: 0x50000000/512
      (bytes) (MB)                0x4080000000/256
                                      0x40f0000000/256 (Floating)
ILM Total (MB): 1024 (Floating 256)

ILM Granularity (MB): 256

CLM, user-assigned [CellID Base /Range]: 0 0x700b0000000/256 (Floating)
      (bytes) (MB)                0 0x700c0000000/256
CLM, monitor-assigned [CellID Base /Range]: 0 0x70080000000/512
      (bytes) (MB)                0 0x700a0000000/256 (Floating)
CLM (CellID MB): 0 1280 (Floating 512)

CLM Granularity (MB): 256
```

For more information on base and float memory, see [“Memory: Concepts and Functionality”](#) (page 182).

vparstatus: Pending nPartition Reboot for Reconfiguration

On an nPartitionable system, if the nPartition has a pending Reboot for Reconfiguration, the vparstatus output will show the following message:

Note: A profile change is pending. The hard partition must be rebooted to complete it.

Example:

```
keiral# vparstatus
[Virtual Partition]
```

Virtual Partition Name	State	Attributes	Kernel Path	Boot Opts
keiral1	Up	Dyn,Auto	/stand/vmunix	
keira2	Down	Dyn,Manl	/stand/vmunix	boot

```
[Virtual Partition Resource Summary]
```

Virtual Partition Name	CPU		Num IO devs	Memory (MB)	
	Min/Max	Bound/Unbound		Total MB	Total MB
keiral1	2/ 8	2 0	7	0/ 0	2048
keira2	2/ 12	2 2	3	0/ 0	2048

Note: A profile change is pending. The hard partition must be rebooted to complete it.

vparstatus: vPars Monitor and Database Information

Beginning with vPars A.03.02, the **-m** option displays the console path, the hardware path from which the vPars Monitor was booted, the fleshiest path of the vPars Monitor, and the vPars database file that is being used by the vPars Monitor. Beginning with vPars A.04.01, memory ranges used by the vPars Monitor and firmware are also displayed.

Examples

- vPars A.03.02:

```
# vparstatus -m
Console path: 0.0.2.0
Monitor Boot disk path: 0.0.1.0
Monitor Boot filename: /stand/vpmon
Database filename: /stand/vpdb.mine
```
- vPars A.04.01:

```
# vparstatus -m
Console path: No path as console is virtual
Monitor boot disk path: 13.0.11.1.0.8.0
Monitor boot filename: /stand/vpmon
Database filename: /stand/vpdb
Memory ranges used: 0x0/232611840 Monitor
                   0xdd6000/688128 firmware
                   0xde7e000/1384448 Monitor
                   0xdfd0000/33751040 firmware
                   0x10000000/134213632 Monitor
                   0x7fffe000/8192 firmware
                   0x8a0ff000000/16777216 firmware
```

Managing: Creating a Virtual Partition

You can create a virtual partition using the `vparcreate` command.



CAUTION: LBAs must be explicitly specified when using vPars A.03.01 or earlier. The examples in this chapter use a non-nPartitionable system. If using an nPartitionable system, read “Planning, Installing, and Using vPars with an nPartitionable Server” (page 49).



NOTE: When you create a virtual partition, the vPars Monitor assumes you will boot and use the partition. Therefore, when a virtual partition is created, even if it is down and not being used, the resources assigned to it cannot be used by any other partition.

Also, when using vPars, the physical hardware console port must be owned by a partition. To avoid terminal type mismatches, this should be the first virtual partition created. For an example, see “Assigning the Hardware Console LBA” (page 55).

For memory considerations, see “Memory: Allocation Notes” (page 230).

Example (A.03.xx)

To create a virtual partition named `winona2` with the following resources:

- Three total CPUs (two bound CPUs at hardware paths 41 and 45 and one unbound CPU) with a maximum of four (bound plus unbound) CPUs
- 1280 MB of memory
- all hardware where the LBA is at 0/8 or 1/10
- a boot disk at 0/8/0/0.5.0

use the corresponding `vparcreate` command line options:

Resource or Attribute	vparcreate Option
virtual partition name is winona2	<code>-p winona2</code>
three total CPUs	<code>-a cpu::3</code>
of which two are bound CPUs and a maximum of four CPUs	<code>-a cpu:::2:4</code>
at hardware paths 41 and 45	<code>-a cpu:41 -a cpu:45</code>
1280 MB of memory	<code>-a mem::1280</code>
all hardware where the LBA is at 0/8	<code>-a io:0.8</code>
all hardware where the LBA is at 1/10	<code>-a io:1.10</code>
hardware at 0/8/0/0.5.0 as the boot disk	<code>-a io:0.8.0.0.5.0:boot</code>

The resulting `vparcreate` command line is:

```
winona1# vparcreate -p winona2 -a cpu::3 -a cpu:::2:4 -a cpu:41 -a  
cpu:45 -a mem::1280 -a io:0.8 -a io:1.10 -a io:0.8.0.0.5.0:boot
```



TIP: For the `vparcreate` options, you can create a text file that includes all the options and then `cat` the text file within the `vparcreate` command line. This avoids having to remember all the options when you are typing the `vparcreate` command line.

For example, for the vPars A.03.xx `vparcreate` command of winona2, you can create a text file called `/stand/winona2.opts`:

```
winona1# vi /stand/winona2.opts
```

The text file would contain the following:

```
-p winona2 \  
-a cpu::3 \  
-a cpu:::2:4 \  
-a cpu:41 \  
-a cpu:45 \  
-a mem::1280 \  
-a io:0.8 \  
-a io:1.10 \  
-a io:0.8.0.0.5.0:boot
```

When you are ready to execute the `vparcreate` command, the command appears as:

```
winona1# vparcreate `cat /stand/winona2.opts`
```

You can verify the creation using the `vparstatus` command:

```
winona1# vparstatus -p winona2 -v
```

Managing: Removing a Virtual Partition

To remove a virtual partition, use `vparremove`. `vparremove` purges the virtual partition from the vPars database. Any resources dedicated to the virtual partition are now free to allocate to a different virtual partition (for A.03, see Appendix B for exceptions).

You need to shutdown the virtual partition before attempting removal. If the target virtual partition is running, `vparremove` will fail.

Example

To remove a virtual partition named winona2:

1. If the virtual partition is running, shutdown the virtual partition:

```
winona2# vparstatus
winona2# shutdown -h
```

2. From the running virtual partition winona1, verify the target virtual partition winona2 has entered the down state (for more information on virtual partition states, see “Commands: Displaying vPars Monitor and Resource Information (vparstatus)” (page 137)):

```
winona1# vparstatus | grep winona2
winona2          Down Dyn,Auto /stand/vmunix
winona2          2/  8   2   1   2   0/  0      1280
```

3. After the virtual partition is in the down state, remove the virtual partition winona2:

```
winona1# vparremove -p winona2
```



NOTE: If the `vparremove` fails but `vparstatus` shows the target virtual partition as down, try the `vparremove` again after waiting a few seconds. There is a small window of time after a virtual partition is downed by the `shutdown` or `vparreset` command before you can perform the `vparremove` command successfully.



TIP: When a virtual partition is removed, data residing on the disk(s) of the target partition is not removed. If you have removed a partition by accident, you may be able to recover the partition by immediately re-creating the same virtual partition with the same assigned resources.

Managing: Modifying Attributes of a Virtual Partition

You can change a virtual partition’s name and its resource attributes via the `vparmodify` command. When using `vparmodify` to change attributes, the partition can be running, and the changes take effect immediately. See the manpage `vparmodify(1M)` for more information on the attributes.

For information on modifying resources, see “CPU, Memory, and I/O Resources (A.04.xx)” (page 213).

Examples

- To rename the virtual partition `uma1` to `winona1`:

```
# vparmodify -p uma1 -P winona1
```
- To set the `autoboot` attribute to `manual` for partition `winona1` (`manual` turns autoboot off. By default, the attribute is `auto`, which turns autoboot on):

```
# vparmodify -p winona1 -B manual
```
- To set the `autosearch` attribute to `search` for partition `winona1`:

```
# vparmodify -p winona1 -B search
```
- To set the `static` attribute for partition `winona1` (`static` disables modification of a partition’s resources. By default, the attribute is `dynamic`):

```
# vparmodify -p winona1 -S static
```
- To set the default kernel path to `/stand/vmunix.new` for the virtual partition `winona1`:

```
# vparmodify -p winona1 -b /stand/vmunix.new
```

(vPars A.04.01) For 11i v2 (11.23) systems, alternate kernels are in the directory `/stand/alternate_config/`.

Booting a Virtual Partition

To boot a single virtual partition, use either the vPars Monitor command `vparload` or the shell command `vparboot`. (To shutdown a booted virtual partition, see “Shutting Down or Rebooting a Virtual Partition” (page 154)).

From ISL or EFI>

To boot the existing virtual partition `winona1` from ISL or EFI:

```
ISL> hpx /stand/vpmon vparload -p winona1
```

From MON>

To boot virtual partition `winona1` from the vPars Monitor:

```
MON> vparload -p winona1
```

From HP-UX shell prompt

To boot virtual partition `winona2` from another virtual partition `winona1`:

```
winona1# vparboot -p winona2
```



NOTE:

- If the `vparboot` fails but `vparstatus` shows the target virtual partition as down, try the `vparboot` again after waiting a few seconds. There is a small window of time after a virtual partition is downed by the `shutdown` or `vparreset` command before you can perform the `vparboot` command successfully.
 - **(PA-RISC only)** On nPartitionable servers, memory assigned to a virtual partition is scrubbed as part of the boot process. This will increase boot times, proportional to the amount of memory assigned the virtual partition. Further, if the virtual partition that is being booted owns the hardware console port, there will be a pause in the console output. For more information, see “Switchover Pause with Shutting Down” (page 34).
 - **(Integrity only)** Under vPars A.05.02 and later, the vPars Monitor supports launching an install kernel from CD or DVD media with the `vparload -p partition_name -D disk_index` command. For details, see “vPars Monitor: Using vPars Monitor Commands” (page 131).
 - When there is a pending Reboot for Reconfiguration for the involved nPartition, the target virtual partition of the `vparload` or `vparboot` commands will not be booted until all the virtual partitions have been shutdown and the vPars Monitor rebooted. For more information see “Shutting Down or Rebooting the nPartition (Or Rebooting the vPars Monitor)” (page 156).
 - For memory considerations when booting, see “Memory: Allocation Notes” (page 230).
-

Shutting Down or Rebooting a Virtual Partition

A virtual partition can be gracefully shut down or rebooted via the HP-UX command `shutdown`; there is no `vpar*` command to shutdown a virtual partition. To ensure that the partition database is synchronized (see “vPars Partition Database” (page 29)), execute the `vparstatus` command prior to executing the `shutdown` command.

Examples

- To shutdown the virtual partition `winona1`:

```
winona1# vparstatus
winona1# shutdown -h
```

After `winona1` is shutdown, the virtual partition is in the down state. For more information, see “Virtual Partition States” (page 137).

- To reboot the virtual partition `winona1`:

```
winona1# vparstatus
winona1# shutdown -r
```



NOTE:

- If a virtual partition has its `autoboot` attribute set to `MANUAL`, the virtual partition will only halt and will *not* reboot when the command `shutdown -r` (or `reboot -r`) is given. For more information on the virtual partition attributes, see the `vparmodify(1M)` manpage and “Managing: Modifying Attributes of a Virtual Partition” (page 153).
 - For the `-R` and `-r` options of the `shutdown` and `reboot` commands, the virtual partition will not reboot when there is a pending Reboot for Reconfiguration until all the virtual partitions within the `nPartition` have been shutdown and the vPars Monitor has been rebooted. Also, the requested reconfiguration will not take place until all the virtual partitions have been shutdown and the vPars Monitor has been rebooted.
 - When you need to force a non-graceful shutdown, such as when a partition appears hung, use `vparreset`. See “Resetting a Virtual Partition” (page 170).
 - The shell commands `shutdown` and `reboot` apply only to the OS instance of the virtual partition from which they are executed and do not shut down or reboot any other virtual partitions or the vPars Monitor.
 - There is no command to shutdown the vPars Monitor. The vPars Monitor command `reboot` (see “vPars Monitor: Using vPars Monitor Commands” (page 131)) applies to the entire hard partition, causing the hard partition to reboot. For more information on how to shut down or reboot the hard partition gracefully, see “Shutting Down or Rebooting the nPartition (Or Rebooting the vPars Monitor)” (page 156).
-

When to Shutdown All Virtual Partitions

The only times you need to shutdown all the virtual partitions within a hard partition are when:

- a hardware problem or nPartition modification requires the nPartition to be down. Note that PCI OL* is supported on vPars A.03.xx and A.04.
- the entire hard partition hangs. This *might* be a problem with the vPars Monitor.
- you need to update the vPars Monitor (`/stand/vpmon`)

Shutting Down or Rebooting the nPartition (Or Rebooting the vPars Monitor)

To halt or reboot the hard partition gracefully, you need to do the following:

1. Log into *every* virtual partition that is running and gracefully shutdown the partition via the HP-UX command `shutdown`.

There is no command that shuts down all the virtual partitions at the same time. You need to shutdown every virtual partition one at a time.

For our example, if all our partitions were up, we would need to shut them down:

```
winona1# vparstatus
winona1# shutdown -h
```

```
winona2# vparstatus
winona2# shutdown -h
```

```
winona3# vparstatus
winona3# shutdown -h
```

2. After the last virtual partition is shut down, you will be at the vPars Monitor prompt (`MON>`) on the console.

- a. To reboot the hard partition, use the vPars Monitor command `reboot`:

```
MON> reboot
```

- b. To shut down the rp5470/L3000 or rp7400/N4000 servers, access the GSP using **Ctrl-B**. You can then use the GSP command `PC` to power off the server. For example:

```
MON> ^B
GSP> PC
```

Alternatively, you can power off the rp5470/L3000 or rp7400/N4000 servers via the physical power switch.

Because no partitions are running and vPars Monitor is running only in memory, shutting down the vPars Monitor this way does not corrupt the server's memory.

- c. To power off the cells assigned to the nPartition, access the GSP using **Ctrl-B**. You can then go to the Command Menu and use the command `PE` to power off the cells. For example:

```
MON> ^B
GSP MAIN MENU:
  CO: Consoles
  VFP: Virtual Front Panel
  CM: Command Menu
  CL: Console Logs
  SL: Show chassis Logs
  HE: Help
  X: Exit Connection
```

```
GSP> cm
Enter HE to get a list of available commands
```

```
GSP:CM> PE
```

This command controls power enable to a hardware device.

```
B - Cabinet
C - Cell
I - IO Chassis
  Select Device: c
```

```
Enter cabinet number: 0
Enter slot number: 6
```

```
The power state is ON for the Cell in Cabinet 0, Slot 6.
In what state do you want the power? (ON/OFF) OFF
```

```
GSP:CM>
```



WARNING! Before modifying power settings and for detailed warnings and information on power for nPartitionable servers, read the section “Powering Cells and IO Chassis On and Off” in the manual *nPartition Administrator’s Guide* available at <http://docs.hp.com>.

Setboot and System-wide Stable Storage

On a vPars system, the `setboot` command does not read from or write to system-wide stable storage. Instead, the `setboot` command reads from and writes to the vPars partition database, affecting only the entries of the virtual partition from which the `setboot` command was run.

For example, if you are logged into `winona2` and execute the command:

```
winona2# setboot -b on
```

this would set the autoboot attribute to AUTO for the virtual partition `winona2`.

The actions of `setboot` on a virtual partition are:

setboot option	vPars effect
-p	changes the primary boot path of the virtual partition
-a	changes the alternate boot path of the virtual partition
-s	sets the autosearch attribute of the virtual partition (pre-A.03.02: no effect)
-b	sets the autoboot attribute of the virtual partition
no options	displays the primary boot path, alternate boot path, and autoboot attribute of the virtual partition



NOTE:

- To modify stable storage, you must either:
 - go into standalone/nPars mode and use `setboot` or `parmodify`
 - within the vPars environment on PA-RISC nPartitionable servers, use `parmodify` (`parmodify` is not supported from within the vPars environment on Integrity servers)
 - go to the BCH for PA-RISC or EFI Shell for Integrity systems

For more information on using the above firmware or HP-UX commands, see the document *nPartition Administrator's Guide, Managing Systems and Workgroups* (11.11, 11.23) or *HP-UX Systems Administrator's Guide* (11.31), available at <http://docs.hp.com>.

- The boot path setting for HAA (High-Availability Alternate) is *not* supported for vPars instances. For more information on HAA, see the *nPartition Administrator's Guide*.

See also “EFI and Integrity Notes” (page 37) for information on EFI variables and booting.

Using Primary and Alternate Boot Paths

You can set the primary and alternate boot paths of a virtual partition by using the HP-UX `setboot` command or the vPars command `vparmodify` and the `BOOT` and `ALTBOOT` attributes.

**NOTE:**

- Like many other HP-UX applications, MirrorDisk/UX software is supported. However, vPars does not have a knowledge of the mirror configuration. If your boot disk is mirrored, you may want to explicitly configure the mirror disk as the alternate boot path. Also, on Integrity systems, after creating a mirrored boot disk, you will have to do either a `setboot - [p|a|t] <path>` or `vparefiutil -u` to be able to boot from the mirror later.
- To modify stable storage, you must either:
 - go into standalone/nPars mode and use `setboot` or `parmodify`
 - use `parmodify` for PA-RISC nPartitionable servers (`parmodify` is not supported from within the vPars environment on Integrity servers)
 - go to the BCH for PA-RISC or EFI Shell for Integrity systems

For more information on using the above firmware and HP-UX commands, see the document *HP System Partitions Guide, Managing Systems and Workgroups* (11.11, 11.23) or *HP-UX Systems Administrator's Guide* (11.31), available at <http://docs.hp.com>.

- The boot path setting for HAA (High-Availability Alternate) is not supported for vPars instances. For more information on HAA, see the *HP System Partitions Guide*.
- For Integrity systems, including using the `parmodify` command in vPars mode and EFI variables and booting, see also “EFI and Integrity Notes” (page 37).

For more information on how `setboot` works on a vPars server, see “Setboot and System-wide Stable Storage” (page 157). For more information on the I/O attributes, see `vparresources(5)` manpage.

Autoboot and Autosearch Attributes

Beginning with vPars A.03.02, there is a new attribute called `autosearch`, in addition to the existing `autoboot` attribute. The `autosearch` attribute has the value of either `search` or `nosearch` (the default is `nosearch`). See the table below for the results of the combination of possible values. For further information on the attributes, see the `vparcreate(1M)` or `vparmodify(1M)` manpages. For information on setting these attributes, see “Managing: Modifying Attributes of a Virtual Partition” (page 153).

Table 5-5 Boot Attempt Results of the autoboot and autosearch Values

autoboot value	autosearch value	resulting boot attempt
manual	nosearch	no booting of the target virtual partition is attempted.
auto	nosearch	only the primary path is attempted
auto	search	attempt to boot the primary path; if boot fails, attempt to boot the alternate path.
manual	search	non-nPartitionable servers: no booting is attempted nPartitionable servers: do not attempt to boot the primary path; attempt to boot the alternate path. These actions match the nPartitionable firmware actions. For more information, see the <i>setboot(1M)</i> manpage.

Setting the Primary or Alternate Boot Paths

In the examples below, suppose you want the virtual partition `winona2` to have its primary boot disk at `0/8/0/0.5.0` and its alternate boot path at `0/8/0/0.2.0`.

Using `setboot`

Because `setboot` affects only the virtual partition from which you execute the command, execute these commands from `winona2`.

- To set the primary boot path:

```
winona2# setboot -p 0/8/0/0.5.0
```
- To set the alternate boot path:

```
winona2# setboot -a 0/8/0/0.2.0
```

Using `vparcreate`

Within the `vparcreate` command, you can specify the primary or alternate boot paths with the `BOOT` and `ALTBOOT` attributes:

- To set the primary boot path:

```
winona1# vparcreate -p winona2 -a io:0.8.0.0.5.0:BOOT
```
- To set the alternate boot path:

```
winona1# vparcreate -p winona2 -a io:0.8.0.0.2.0:ALTBOOT
```
- Or to set both the primary and alternate boot paths on the same command line:

```
winona1# vparcreate -p winona2 -a io:0.8.0.0.5.0:BOOT -a io:0.8.0.0.2.0:ALTBOOT
```

Using `vparmodify`

If the virtual partitions are created already, you can specify the primary or alternate boot paths with the `BOOT` and `ALTBOOT` attributes within the `vparmodify` command:

- To set the primary boot path:

```
winona1# vparmodify -p winona2 -a io:0.8.0.0.5.0:BOOT
```
- To set the alternate boot path:

```
winona1# vparmodify -p winona2 -a io:0.8.0.0.2.0:ALTBOOT
```
- Or to set the primary and alternate boots paths on the same command line:

```
winona1# vparmodify -p winona2 -a io:0.8.0.0.5.0:BOOT -a io:0.8.0.0.2.0:ALTBOOT
```


Using Primary and Alternate Paths with nPartitions

The vPars database and the nPartition complex profile are entirely separate. Therefore, a change in the vPars database does not change any complex profile data.

A change in the primary or alternate paths in the vPars database does not change the primary or alternate paths in the complex profile. To change the primary or alternate paths for both a virtual partition and its nPartition, you must change the paths for each separately.



NOTE: For an EFI system, the above is true even if you use `parmodify` to change the paths. `parstatus` will show them as set; however, once the system is booted into nPars mode, those changes by `parmodify` are not retained.

Example

Original Status:

Suppose a `vparstatus` output of `keira1` showed the alternate boot path to be `0/0/6/0/0.6.0` (irrelevant output omitted):

```
keira2# vparstatus -p keira1 -v
[Virtual Partition Details]
Name:          keira1
State:         Down
Attributes:    Dynamic, Autoboot
.
.
.
[IO Details]
  0.0.6
  0.0.6.0.0.5
  0.0.0
  0.0.4
  0.0.2
  0.0.6.0.0.5.0  BOOT
  0.0.6.0.0.6.0  ALTBOOT
```

and its nPartition showed the nPartition's alternate path to be `2/0/14/0/0.6.0`:

```
keira2# parstatus -p0 -V
[Partition]
Partition Number      : 0
Partition Name       : npar0
Status                : active
IP address            : 0.0.0.0
PrimaryBoot Path     : 0/0/6/0/0.5.0
Alternate Boot Path   : 2/0/14/0/0.6.0
HA Alternate Boot Path : 0/0/6/0/0.5.0
.
.
.
```

Changing the Virtual Partition's Path (vPars Partition Database)

To change `keira1`'s alternate boot path to the boot disk at `0/0/6/0/0.4.0`, run the command:

```
keira2# vparmodify -p keira1 -a io:0.0.6.0.0.4.0:ALTBOOT
```

`vparstatus` now shows:

```
keira2# vparstatus -p keira1 -v
[Virtual Partition Details]
Name:          keira1
State:         Down
Attributes:    Dynamic, Autoboot
Kernel Path:   /stand/vmunix
```

```

.
.
.
[IO Details]
  0.0.6
  0.0.6.0.0.5
  0.0.0
  0.0.4
  0.0.2
  0.0.6.0.0.4.0  ALTBOOT
  0.0.6.0.0.5.0  BOOT
  0.0.6.0.0.6.0

```

but note that the *nPartition's* alternate path has *not* changed:

```

# parstatus -p0 -v
[Partition]
Partition Number      : 0
Partition Name       : npar0
Status               : active
IP address           : 0.0.0.0
PrimaryBoot Path     : 0/0/6/0/0.5.0
Alternate Boot Path  : 2/0/14/0/0.6.0
HA Alternate Boot Path : 0/0/6/0/0.5.0

```

Changing the nPartition's Path (Complex Profile Data)

To change the nPartition's alternate path to 0/0/6/0/0.4.0, run the command:

```

keira2# parmodify -p0 -t 0/0/6/0/0.4.0
Command succeeded.

```

The nPartition's alternate path has now changed:

```

keira2# parstatus -p0 -v
[Partition]
Partition Number      : 0
Partition Name       : npar0
Status               : active
IP address           : 0.0.0.0
PrimaryBoot Path     : 0/0/6/0/0.5.0
Alternate Boot Path  : 0/0/6/0/0.4.0
HA Alternate Boot Path : 0/0/6/0/0.5.0

```

Booting Using the Primary or Alternate Boot Paths

To boot winona2 using the primary path:

```
winona1# vparboot -p winona2 -B pri
```

However, because the primary boot path is the default, you can omit the `-B` portion:

```
winona1# vparboot -p winona2
```

To boot winona2 using the alternate path:

```
winona2# vparboot -p winona2 -B alt
```



NOTE:

- Setting a path using `vparmodify` requires the target virtual partition to be down; `setboot` does not. However, `setboot` can change only the path(s) of the virtual partition from which the `setboot` command is run (in other words, the local virtual partition).
- You cannot specify `pri` or `alt` at the vPars Monitor prompt. However, because the primary boot path is the default, you can boot winona2 using the primary path using the following command:

```
MON> vparload -p winona2
```

If you want to boot winona2 using the alternate boot path, you can specify the hardware address for the alternate boot path. For example, to boot the virtual partition winona2 using the disk at 0/8/0/0.2.0:

```
MON> vparload -p winona2 -B 0.8.0.0.2.0
```

Autoboot

The AUTO File on a Virtual Partition

On a non-vPars server, the LIF's AUTO file on the boot disk can contain a boot string that includes boot options, such as `-lq` for booting without quorum, or a boot kernel path, such as `/stand/vmunix.other` for booting an alternate kernel (for 11i v2 systems, alternate kernels are in `/stand/alternate_config/`). The AUTO file can be changed either through LIF shell commands or `mkboot`.

However, on a vPars server, the LIF's AUTO file is read *only* on server bootup; for example, the AUTO file might contain `"hpux /stand/vpmon"` (PA-RISC) or `"boot vpmon"` (Integrity), which causes the vPars Monitor to be booted when the server is booted. The AUTO file is not read when a virtual partition is booted.

To simulate the AUTO file effect when a partition is booted, you can modify the boot options and boot path entries in the vPars partition database via `vparmodify`:

Examples

- On a non-vPars server, to change the AUTO file to use the boot options `-lq`, the command is:

```
— PA-RISC: # mkboot -a "hpux -lq" raw_device_file
— Integrity: # mkboot -a "boot vmunix -lq" raw_device_file
```

On a vPars server, to get the same effect when the partition winona2 is booted, modify the partition database using `-o` (boot options):

```
# vparmodify -p winona2 -o "-lq"
```

- On a non-vPars server, to change the AUTO file to use a different kernel, the command is:
 - PA-RISC: # `mkboot -a "hpux /stand/vmunix.other" raw_device_file`
 - Integrity: # `mkboot -a "boot /stand/vmunix.other" raw_device_file`

On a vPars server, to get the same effect when the partition winona2 is booted, modify the partition database using -b (boot path):

```
# vparmodify -p winona2 -b "/stand/vmunix.other"
```



NOTE: For HP-UX 11i v2 (11.23) systems, alternate kernels are in /stand/
alternate_config/

On a vPars server, the HP-UX command `mkboot` does modify the LIF's `AUTO` file. However, on a vPars server, what is booted initially is the vPars Monitor; then the vPars Monitor boots the virtual partitions. Therefore, what can be in the LIF `AUTO` file is a boot string that boots the vPars Monitor.

Autobooting the vPars Monitor and Virtual Partitions

You can setup the vPars Monitor and all virtual partitions to boot automatically at power up. To do this, make sure the following four conditions are met:

1. **The hard partition's primary and alternate boot paths point to the boot disks of different virtual partitions.** For example, to set the primary and alternate boot paths at BCH or EFI:

```
pa pri 0/0/2/0.6.0
pa alt 0/8/0/0.5.0
```

2. **The autoboot flag in stable storage is set to ON.** To set the autoboot flag to ON at BCH or EFI:

```
auto on
```

3. **The contents of the AUTO files of the primary and alternate boot disks contain the boot string for booting the vPars Monitor. The -a option of /stand/vpmon boots all the virtual partitions that have the autoboot flag set.**

```
– PA-RISC: "hpux /stand/vpmon -a"
– Integrity: "boot vpmon -a"
```

To set the contents of the AUTO file on the LIF, log into the virtual partitions that own the primary and alternate boot disks, and execute the `mkboot -a` command:

For example, after logging into `winona1` which owns the primary boot disk at `0/0/2/0.6.0`, execute:

```
– PA-RISC:winona1# mkboot -a "hpux /stand/vpmon -a" /dev/rdisk/c2t6d0
– Integrity:winona1# mkboot -a "boot vpmon -a" /dev/rdisk/c2t6d0
```

and after logging into `winona2` which owns the alternate boot disk at `0/8/0/0.5.0`, execute:

```
– PA-RISC:winona1# mkboot -a "hpux /stand/vpmon -a" /dev/rdisk/c1t5d0
– Integrity:winona1# mkboot -a "boot vpmon -a" /dev/rdisk/c1t5d0
```

4. **The autoboot flag of all the virtual partitions is set to AUTO. If applicable *and desired*, set the autosearch flag of all the virtual partitions to SEARCH.** AUTO is the default. However, if you need to reset these values to AUTO:

```
winona1# vparmodify -p winona1 -B auto
winona1# vparmodify -p winona2 -B auto
winona1# vparmodify -p winona3 -B auto
```

SEARCH is *not* the default value. If you wish to set the autosearch attribute to SEARCH:

```
winona1# vparmodify -p winona1 -B search
winona1# vparmodify -p winona2 -B search
winona1# vparmodify -p winona3 -B search
```



NOTE: For Superdome and other nPartitionable servers, you must use the boot device path "path flags" to set automatic booting past the BCH for an nPartition. See the manual *HP System Partitions Guide* for more information, including the proper configuration of paths for an nPartition.

When booting multiple virtual partitions automatically, the sequence for booting is not deterministic, and booting a sequence of virtual partitions automatically is not supported. If booting a sequence is required, the sequence of virtual partitions needs to be booted manually (one by one). For more information on booting a virtual partition, see "Booting a Virtual Partition" (page 154).

When booting multiple virtual partitions automatically, there is no way to tell which virtual partition will be active with the console after the partitions have booted.

All changes to stable storage can only be performed at the BCH> prompt. See "System-wide stable storage and the `setboot` command" (page 23).

If you need to reboot the hard partition as part of the process to access the BCH>, see "Shutting Down or Rebooting the nPartition (Or Rebooting the vPars Monitor)" (page 156).

For information on accessing and using the BCH commands, see your hardware manual.

Single-User Mode

It is occasionally necessary to boot HP-UX into single-user mode to diagnose issues with networking or other components.



NOTE: Although you can boot a virtual partition into single-user mode to diagnosis an OS problem, once you are in single-user mode, you should *not* use `vpar*` commands in single-user mode. Reboot the target virtual partition and return to multi-user mode before using the `vpar*` commands.

On a non-vPars server, you would boot a system in to single-user mode by using the `-is` option at the ISL prompt:

```
ISL> hpux -is
```

On a vPars server, you can boot a virtual partition into single-user mode either at the vPars Monitor prompt or at the HP-UX shell prompt of a running partition.

For example, if we wanted to boot `winona2` into single user mode:

From MON>

From the vPars Monitor prompt, specify the `-is` option as an argument to `vparload`.

```
MON> vparload -p winona2 -o "-is"
```

From HP-UX shell prompt

From the HP-UX shell prompt of another virtual partition, specify the `-o` option with the `vparboot` command:

```
winona1# vparboot -p winona2 -o "-is"
```

Example: A Hung Partition

If you wish to boot a virtual partition using `vparboot` into single-user mode, it must be in the down state. If you find a virtual partition is instead in the hung state, perform the following *before* executing the `vparboot`:

1. Turn off autoboot for the target partition:
winona1# vparmodify -p winona2 -B manual
2. Attempt to reset the target partition with the -t option (soft reset):
winona1# vparreset -p winona2 -t
3. If it still appears to be hung, reset it with the -h option (hard reset):
winona1# vparreset -p winona2 -h
4. Continue verifying the state until vparstatus shows that winona2 is in the down state:
winona1# vparstatus -p winona2 -v | grep -E "Name|State"
Name: winona2
State: down
5. Because the virtual partition is now in the down state, you can boot the virtual partition into single-user mode using vparboot:
winona1# vparboot -p winona2 -o "-is"



NOTE: After you have finished with single-user mode and if you want to turn autoboot back on, the command is: winona1# vparmodify -p winona2 -B auto
For information on using vparreset, see “Resetting a Virtual Partition” (page 170).

Other Boot Modes

In the same way you can boot a virtual partition into single-user mode (see “Single-User Mode” (page 166)), you can boot a partition using other boot options. The general syntax is:

From MON>

```
MON> vparload -p <target_partition> <boot_options>
```

or

From HP-UX shell prompt

```
<active_partition># vparboot -p <target_partition> -o "<boot_options>"
```

Examples, including using maintenance mode with LVM and overriding quorum with Mirror-UX, are shown below. For more information on all the boot options, see the manpage *hpux(1M)*.

Maintenance Mode

When troubleshooting LVM, you may need to enter into maintenance mode using the -lm option. For more information on maintenance mode, see the manual *Managing Systems and Workgroups* (11.11, 11.23) or *HP-UX Systems Administrator's Guide: Logical Volume Management* (11.31), available at <http://docs.hp.com>.

On a non-vPars server, you would boot the server into maintenance mode by executing the following:

```
ISL> hpux -lm
```

On a vPars server, you specify the same -lm option but as an argument to either the vPars Monitor vparload command or as a -o option to the shell vparboot command.

For example, if the partition winona2 is down, to boot winona2 into maintenance mode:

From MON>

From the vPars Monitor prompt:

```
MON> vparload -p winona2 -o "-lm"
```

From HP-UX shell prompt

From the running partition winona1:

```
winona1# vparboot -p winona2 -o "-lm"
```

Overriding Quorum

In LVM, when the root disk is mirrored, the server can only activate the root volume group, which contains the OS instance, when the majority of the physical volumes in a root volume group are present at boot time. This is called establishing a quorum. Sometimes, you may want to boot an OS instance regardless of whether a quorum is established. You can override the quorum requirement by using the `-lq` option. For more information on quorum requirements, see the manual *Managing Systems and Workgroups* (11.11, 11.23) or *HP-UX Systems Administrator's Guide: Logical Volume Management* (11.31),.

On a non-vPars server, you would boot overriding quorum using:

```
hpux -lq
```

On a vPars server, you can execute either of the following:

From MON>

From the vPars Monitor prompt, to boot winona2 overriding the quorum requirement:

```
MON> vparload -p winona2 -o "-lq"
```

From HP-UX shell prompt

From the running virtual partition winona1, to boot winona2 overriding the quorum requirement:

```
winona1# vparboot -p winona2 -o "-lq"
```



NOTE: Specifying the boot options from the command line only affects the current boot.

On a non-vPars server, to have a server permanently boot with the `-lq` option, you would put "`hpux -lq`" (PA-RISC) or "`boot vmunix -lq`" (Integrity) in the LIF AUTO file. On a vPars server, to have a partition boot with the `-lq` option, you would simulate the AUTO file usage by entering the `-lq` option into the partition database. See "The AUTO File on a Virtual Partition" (page 163).

Changing the LVM Boot Device Hardware Path for a Virtual Partition

Example

Below are the steps to move the root disk of a single virtual partition.

Verification

These instructions require that the virtual partition be constrained in the following way: the logical volume used for the primary swap device must be on the boot device; in other words, *boot and swap must be on the same disk device.*

This can be verified by the following steps:

1. Run `lvlnboot`.

```
lvlnboot -v /dev/vg00
```

2. Examine the output to identify the "Boot" and "Swap" logical volumes. For example:

```
Boot: lvol1 on: /dev/dsk/c1t6d0
Swap: lvol2 on: /dev/dsk/c1t6d0
```


3. Make sure that the boot and swap logical volumes are on the same device.



CAUTION: If the boot and swap logical volumes are not on the same device, do not proceed with these instructions. You will need to contact HP for assistance.

Preparation

Before changing the hardware path of the boot device:

1. Create a mapfile for the root volume group. Keep the mapfile in the root (/) directory, so that it is accessible during single user mode boot.

```
vgexport -p -m /mapfile.vg00 /dev/vg00
```

2. Get a list of physical volumes (PVs) in the root volume group. Keep the PV list file in the root (/) directory, so that it is accessible during single user mode boot.

```
vgexport -p -f /pvs.vg00 /dev/vg00
```

3. You may now shutdown the virtual partition and physically move the disk.

Change the boot device hardware path

1. From another virtual partition, change the target virtual partition attributes

```
vparmodify -p partition_name -a io:new_path:boot -B manual  
vparmodify -p partition_name -d io:old_path
```

where

- *partition_name* is the target virtual partition
- *new_path* is the new hardware path of the disk
- *old_path* is the old hardware path of the disk

2. Verify the attributes

```
vparstatus -v -p partition_name
```

Boot into LVM maintenance mode

- Boot the target virtual partition into LVM maintenance mode. For example, at the vPars Monitor prompt:

```
MON> vparload -o -lm -p partition_name
```

LVM maintenance mode steps

1. Once the partition comes up in LVM maintenance mode, run `ioscan` to get the device filename of the boot device

```
ioscan -fnkCdisk
```

If the device filename (`/dev/dsk/file`) is new, use `insf` to install the special files in `/dev` directory.

2. Run `vgscan` to get the device filenames grouped with the boot device.

```
vgscan
```

3. Remove the old information about root volume group.

```
vgexport /dev/vg00
```

You may have to remove `/etc/lvmtab`.

4. Prepare to import the root volume group (vg00).

```
mkdir /dev/vg00
```

```
mkknod /dev/vg00/group c 64 0x000000
```

5. Import the root volume group (vg00). For example:

```
vgimport -m /mapfile.vg00 /dev/vg00 /dev/dsk/c1t1d0 /dev/dsk/c1t1d1
```

 where the device filenames are obtained from the `ioscan` and `vgscan` above
6. Activate the root volume group (vg00):

```
vgchange -a y /dev/vg00
```

 You may also have to cleanup and prepare LVM logical volume to be root, boot, primary swap, or dump volume as follows:

```
lvrmboot -r /dev/vg00
lvlnboot -b /dev/vg00/lvol1
lvlnboot -r /dev/vg00/lvol3
lvlnboot -s /dev/vg00/lvol2
lvlnboot -d /dev/vg00/lvol2
mount
```
7. Verify that the hardware path for the boot device matches the primary boot path.

```
lvlnboot -v /dev/vg00
```
8. If the hardware path has not changed to the primary boot path, change it by running `lvlnboot` with the recovery (`-R`) option. This step is normally not necessary.

```
lvlnboot -R /dev/vg00
```
9. Reboot the target virtual partition.

Resetting a Virtual Partition

Just as it is occasionally necessary to issue a hard reset (RS) or a soft reset (TOC) for a non-vPars OS instance, it is occasionally necessary to issue similar resets for a vPars OS instance.

Hard Reset

On hard partition not running vPars, a hard reset cold boots the hard partition. To issue a hard reset, the administrator types a **Ctrl-B** at the console to connect to the service processor and then types the command `RS` (reset), at which time the hard partition cold boots.

On a hard partition running vPars, a hard reset will reset the hard partition--including the vPars Monitor and all the virtual partitions.

To simulate a hard reset on only a virtual partition, from a running virtual partition, use `vparreset` with the `-h` option. For example, if `winona2` is hung, we can execute `vparreset` from the running partition `winona1`:

```
winona1# vparreset -p winona2 -h
```

The `-h` option also inhibits the autoboot behavior (just like `shutdown -h` does); therefore `-h` can be used to break out of a reboot loop. Because `-h` overrides the autoboot setting for that virtual partition, the partition must be manually restarted via `vparboot` (e.g., `winona1# vparboot -p winona2`).

Other virtual partitions are unaffected when one virtual partition is reset.

Soft Reset

On a hard partition not running vPars, a soft reset (TOC) allows HP-UX to attempt to capture a state and potentially create a crash dump and then the hard partition reboots. To issue a soft reset, the administrator types a **Ctrl-B** at the console to connect to a service processor and then types the command `TC` (transfer of control).

On a hard partition running vPars, a soft reset will take dumps of all the virtual partitions² as well as the vPars Monitor image, and then the hard partition reboots.

2. See note titled "Kernel Dumps" (page 278).

To simulate a soft reset on only one virtual partition, from a running partition, use `vparreset` with the `-t` (for TOC) option. For example, if `winona2` is hung, we can execute `vparreset` from the running partition `winona1`:

```
winona1# vparreset -p winona2 -t
```

The target virtual partition either shuts down or reboots according to the setting of the `autoboot` attribute of that virtual partition.

Other virtual partitions are unaffected when one virtual partition is reset.



NOTE: Unlike the `RS` and `TC` commands, the `vparreset` command also displays Processor Information Module (PIM) data unless the `-q` option is specified.

On Superdome, when there is a pending Reboot for Reconfiguration, the target virtual partition will not be rebooted until all the virtual partitions within the `nPartition` are shut down and the `vPars Monitor` is rebooted.

Using an Alternate Partition Database File

By default, the local copy of the `vPars` partition database is kept in the file `/stand/vpdb` on the boot disk of each virtual partition within a hard partition. However, you can create, edit, and delete virtual partitions in an alternate partition database file by using the `-D filename` option in the `vPars` command string, where `filename` is the name of the alternate partition database file. For more information on the `vPars` command strings, see the `vPars` manpages.

The alternate partition database file can be used to create an entirely different virtual partition configuration without affecting the live partition database in the `vPars Monitor`'s memory or the local copies in `/stand/vpdb`.

Example

Suppose the current virtual partition configuration is:

Partition Name	winona1	winona2	winona3
Bound CPUs	total = 2 min = 2	total = 2 min = 2 paths = 41,45	total = 1 min = 1
Unbound CPUs	three CPUs are available		
Memory	1024 MB	1280 MB	1280 MB
I/O Paths (LBAs)	0.0 0.4	0.8 1.10	0.5 1.4
Boot Path	0.0.2.0.6.0	0.8.0.0.5.0	1.4.0.0.5.0
LAN	0.0.0.0	1.10.0.0.4.0	0.5.0.0.4.0
Autoboot	AUTO	AUTO	AUTO

You could create an alternate partition database where the configuration is:

Partition Name	winsim1	winsim2
Bound CPUs	total = 4 min = 4	total = 4 min = 4
Unbound CPUs	no CPUs are available	

Memory	1600 MB	1600 MB
I/O Paths (LBAs)	0.0 0.4	0.8 1.10 1.2
Boot Path	0.0.2.0.6.0	0.8.0.0.5.0
LAN	0.0.0.0	1.10.0.0.4.0
Autoboot	AUTO	AUTO

To create and boot using an alternate partition database, perform the following:

1. Create the partition configuration and alternate partition database file.

```
winona1# vparcreate -p winsim1 -D /stand/vpdb.sim -a cpu::4 -a cpu:::4 -a mem::1600 -a io:0.0 -a io:0.4
-a io:0.0.2.0.6.0:BOOT
winona2# vparcreate -p winsim2 -D /stand/vpdb.sim -a cpu::4 -a cpu:::4 -a mem::1600 -a io:0.8 -a io:1.10
-a io: 1.2 -a io:0.8.0.0.5.0:BOOT
```



CAUTION: *LBAs must be explicitly specified.* The examples in this chapter use a non-nPartitionable system. If using an nPartitionable system, read “Planning, Installing, and Using vPars with an nPartitionable Server” (page 49).

The alternate partition database file is created if it does not exist.



NOTE: In order to boot from an alternate partition database file, the file must exist in /stand of the disk from which you will boot the entire server.

2. Shutdown all the virtual partitions and reboot the server:

```
winona3# vparstatus ; shutdown -hy 0
winona2# vparstatus ; shutdown -hy 0
winona1# vparstatus ; shutdown -hy 0
MON> reboot
```

3. Interrupt the boot process and boot the vPars Monitor /stand/vpmon specifying the -D alternate partition database option and the -a autoboot option:

```
BCH> bo pri
interact with IPL: y
```

```
ISL> hpux /stand/vpmon -D /stand/vpdb.sim -a
```

The vPars Monitor boots, reads the partition database file /stand/vpdb.sim, and copies the partition configuration information into the vPars Monitor’s memory. The local copy of the partition database is now /stand/vpdb.sim (the same filename as what was read by the vPars Monitor at Monitor boot time).

Integrity NOTE: If you issue `readdb /stand/vpdb.backup`, the file that is actually read is at `/stand/boot.sys/stand/vpdb.backup`. The `vparcreate` command transparently creates the soft link from `/stand/boot.sys/stand/<file>` to `/stand/<file>`.

Therefore, if you backup the database file using the Unix `cp` command, a `ln` command also should be executed to create the soft link. Otherwise it will not be possible to boot from the backup database file.

Because the local copy is now /stand/vpdb.sim, you do not need to specify the -D /stand/vpdb.sim option when performing vPars Monitor commands. For example, to set the static attribute for the partition winsim2, the command is:

```
winsim2# vparmodify -p winsim2 -S static
```

This change will be synchronized to the local copies of `/stand/vpdb.sim`. (If `/stand/vpdb.sim` does not exist, as in this case on `winsim2`, the file will be automatically created during synchronization).

4. To return to using `/stand/vpdb`, do the same steps as above, except on the ISL command line in Step 3 is:

```
ISL> hpux /stand/vpmon -a
```

By default, the file `/stand/vpdb` is read as the partition database file.

When working with an alternate partition database file using `-D filename`, note the following:

- *filename* must reside in `/stand` when the server boots because the vPars Monitor can only traverse HFS file systems of the boot disk.
- Be careful when creating partitions using the `-D` option. Fewer checks on configuration are being performed. It is possible to create a partition configuration that is not valid.
- All LVM rules still apply. For example, you cannot migrate I/O only by re-assigning the I/O to a different partition; you must still `vgexport` and `vgimport` the volume groups.
- (pre A.03.02) Although there is no command that displays which partition database file was read when the vPars Monitor was booted, because the local copies of the active database are synchronized every five seconds, you should be able to tell which database file was read and is active based on the time stamps of the various database files in `/stand`.

Managing Resources With Only One Virtual Partition

In some cases, adding and deleting I/O and memory resources to and from a virtual partition requires the virtual partition to be in the down state. Therefore, if you have configured only one virtual partition, you cannot run `vparmodify` from that virtual partition to modify its I/O and memory resources.

In this situation, you should do the following:

1. Boot into standalone (PA-RISC) or nPars (Integrity) mode.
2. Add or delete the resources using `vparmodify`.
3. Reboot the nPartition into the vPars (PA-RISC) environment or vPars (Integrity) mode.



NOTE: Beginning with A.05.01, the vPar does not have to be in the down state if memory is being added, or float memory is being deleted. The vPar must be in the down state only if base memory is being deleted.

6 CPU, Memory, and I/O Resources (A.05.xx)

This chapter covers managing hardware resources, including the following:

- I/O resources
 - “I/O: Concepts and Functionality” (page 176)
 - “I/O: Adding or Deleting LBAs” (page 178)
 - “I/O: Allocation Notes” (page 180)
- Memory resources
 - “Memory: Concepts and Functionality” (page 182)
 - Assigning (Adding) Or Deleting Memory
 - “Memory: Assigning (Adding) or Deleting by Size (ILM)” (page 186)
 - “Memory: Assigning (Adding) Or Deleting by Size (CLM)” (page 186)
 - “Memory: Assigning (Adding) Or Deleting by Address Range” (page 188)
 - “Memory, CPU: Canceling Pending Operations” (page 210)
 - “Memory: Available and Assigned Amounts” (page 189)
 - “Memory: Converting Base Memory to Float Memory” (page 190)
 - Granularity
 - “Memory: Granularity Concepts ” (page 191)
 - “Memory: Granularity Issues (Integrity and PA-RISC)” (page 192)
 - “Memory: Setting the Granularity Values (Integrity)” (page 193)
 - “Memory: Setting the Granularity Values (PA-RISC)” (page 196)
 - “Memory: Notes on vPars Syntax, Rules, and Output” (page 196)
- CPU resources
 - “CPU: Concepts and Functionality” (page 198)
 - Assigning (Adding) Or Deleting CPUs
 - “CPU: Specifying Min and Max Limits” (page 199)
 - “CPU: Adding and Deleting by Total” (page 199)
 - “CPU: Adding or Deleting by CLP (Cell Local Processor)” (page 202)
 - “CPU: Adding or Deleting by Hardware Path” (page 202)
 - “Memory, CPU: Canceling Pending Operations” (page 210)
 - “CPU: Notes on vPars Syntax, Rules, and Output” (page 203)
 - Additional CPU Topics
 - “CPU: Dual-Core Processors” (page 205)
 - “CPU: Hyperthreading ON/OFF (HT ON/OFF)” (page 207)
 - “CPUs: Managing I/O Interrupts” (page 208)
 - “CPU: CPU Monitor (Formerly Known As LPMC Monitor)” (page 209)



NOTE: Some examples in this chapter may use a non-nPartitionable system where there is no cell in the hardware path. If using an nPartitionable system you must include the cell in the hardware path; read “Planning, Installing, and Using vPars with an nPartitionable Server” (page 49).

I/O: Topics

The I/O topics in this section are:

- “I/O: Concepts and Functionality” (page 176)
- “I/O: Adding or Deleting LBAs” (page 178)
- “I/O: Allocation Notes” (page 180)

I/O: Concepts and Functionality

With vPars, you allocate I/O resources at the LBA level.

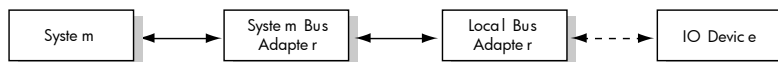
LBA Local Bus Adapter

SBA System Bus Adapter

System, Cells, SBA, LBA, Devices and Relationships

On a server, an I/O device communicates to the system through the LBA and SBA. The path looks like Figure 6-1.

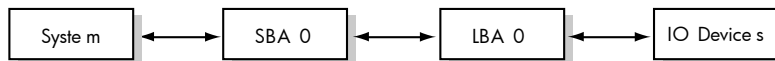
Figure 6-1 System to I/O Device Relationship



This corresponds to the `ioscan` hardware path output for an I/O device of `sba/lba/.../device`.

A LBA actually owns all the devices attached to it. In the example below, all the I/O devices attached to LBA 0 are owned by LBA 0, and the hardware paths of those I/O devices begin with 0/0 (sba/lba). (Cells are discussed later and would change the hardware path to `cell_ID/sba/lba`.)

Figure 6-2 LBA Owns Multiple I/O Devices



It is at the LBA level where vPars assigns I/O. In the example below, this means that LBA 0 can be assigned to at most one virtual partition. If LBA 0 is assigned to vparN, it is implied that all I/O devices attached to LBA 0 are assigned to vparN.

Figure 6-3 vPars Allocates I/O at the LBA Level



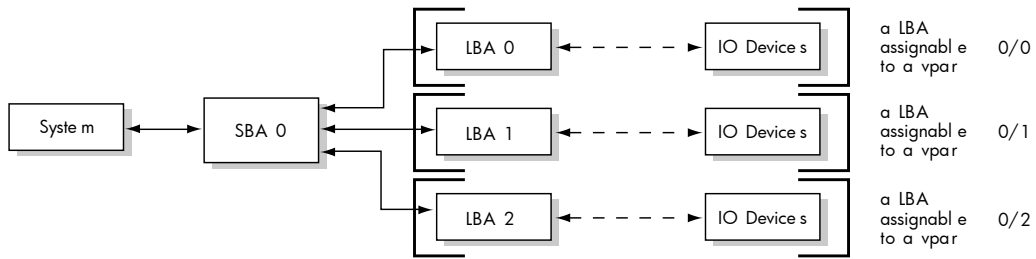
A SBA has multiple LBAs attached to it; it is a hierarchical relationship. Nevertheless, assignments in vPars remain at the LBA level, and each LBA can be assigned to a different virtual partition.



NOTE: Regarding syntax and how vPars commands interpret what is specified on the command line, see “I/O: Allocation Notes” (page 180). Even if there are shortcuts in assigning LBAs, vPars assigns per LBA.

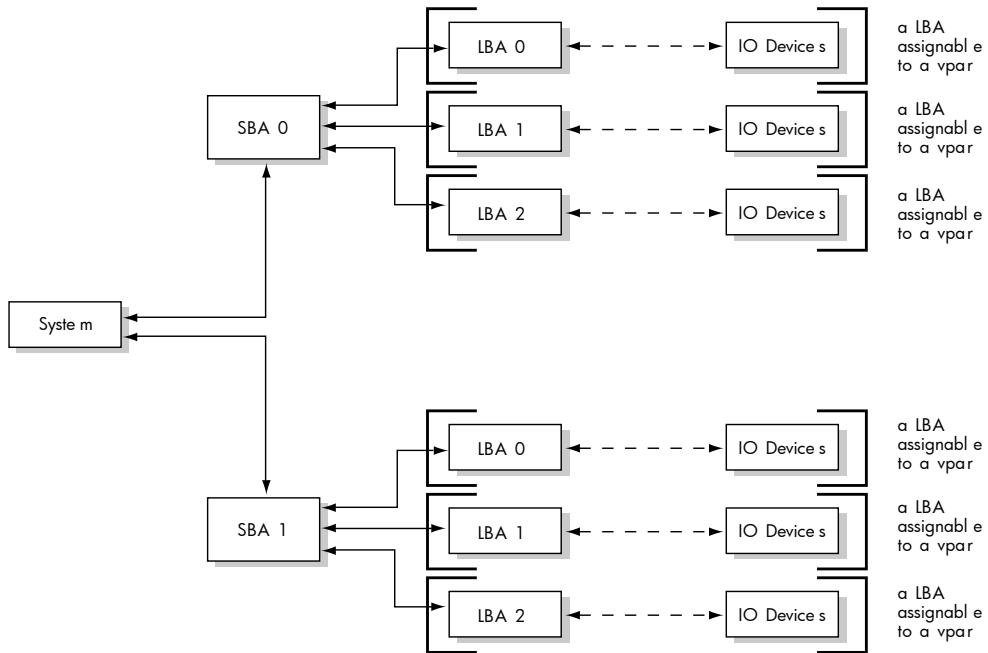
In the example below, each LBA (shown in brackets) can be assigned to a different virtual partition.

Figure 6-4 vPars Allocates at LBA Level not SBA Level



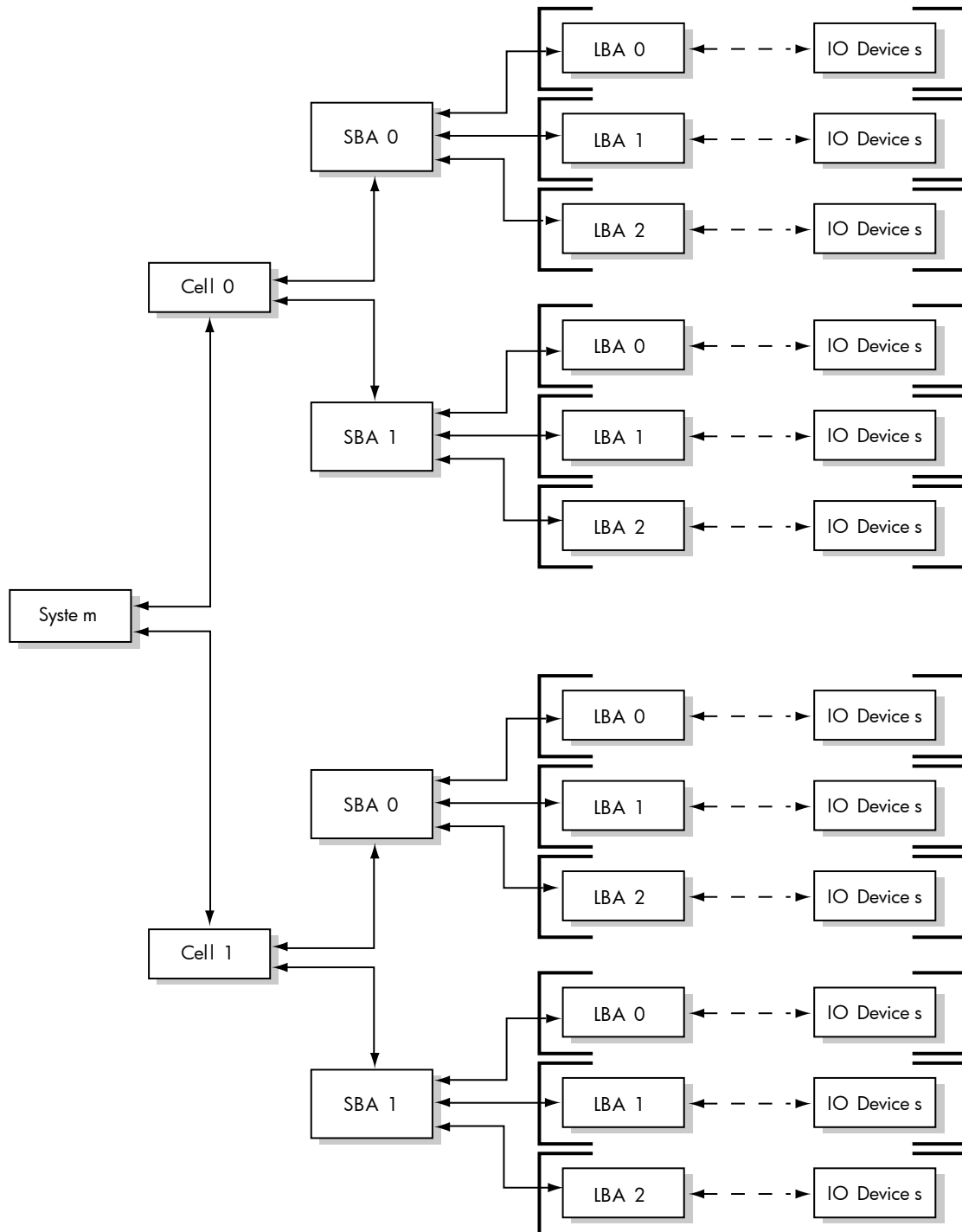
A system has multiple SBAs, but assignments remain at the LBA levels.

Figure 6-5 vPars Allocates at LBA Level not SBA Level



With the addition of cells (an nPartitionable server), there are more SBAs, but I/O assignments remain at the LBA level:

Figure 6-6 vPars Allocates at LBA Level not Cell Level



I/O: Adding or Deleting LBAs

I/O Syntax in Brief

The basic core syntax for adding or deleting I/O resources is:

```
-a|d io:hardware_path
```

where:

-a add

-d delete

hardware_path the hardware path of the I/O

Examples

- To add all hardware using the SBA/LBA hardware path of 1/2 to an existing partition winona2:
winona1# vparmodify -p winona2 -a io:1.2
- To remove all hardware with SBA/LBA 1/2 from partition winona2:
winona1# vparmodify -p winona2 -d io:1.2



NOTE: The virtual partition must be in the down state to add or delete I/O resources.

I/O: Allocation Notes

When planning or performing I/O allocation, note the following:

- **Mass Storage Stack Formats** The agile view of mass storage introduced in HP-UX 11i v3 (11.31) is supported with vPars. However, the lunpath hardware path format and lun hardware path format are not supported for use on the vPars command line, and are not printed by any vPars commands. You must continue to use the legacy hardware path format that existed in previous vPars releases when using the vPars commands; for HP-UX 11i v3 (11.31), `ioscan`'s default output will continue to show the legacy format.

However, wherever the new formats are supported by other 11.31 HP-UX commands and tools, you can use these new formats within the virtual partitions running 11.31. For information on using the new mass storage stack formats, multipathing, and agile addressing, see the white paper *The Next Generation Mass Storage Stack* and the manual *HP-UX System Administrator's Guide: Overview*.

When using HP-UX commands in the agile view to affect boot paths, such as with the `setboot` command, vPars requires a corresponding legacy hardware path to exist. When planning your system configuration you should be aware that there will be no legacy hardware paths in the following cases, due to limitations in the minor number format of legacy device special files:

- you have more than 255 I/O busses
 - you have more than 32,768 LUNs. Note that for the first release of 11.31, only up to 16,384 LUNs are supported and for 11.23, only up to 8192 LUNs are supported.
- **An LBA can be assigned to at most one virtual partition at any given time.** When you are planning your I/O to virtual partition assignments, note that only one virtual partition may own any hardware at or below the LBA (Local Bus Adapter) level. In other words, **hardware at or below the LBA level must be in the same virtual partition.**

Example Looking at the `ioscan` output of a rp7400/N4000, the two internal disk slots use the same LBA:

```
0/0          ba          Local PCI Bus Adapter (782)
0/0/2/0      ext_bus     SCSI C875 Ultra Wide Single-Ended
0/0/2/1      ext_bus     SCSI C875 Ultra Wide Single-Ended
```

Therefore, you *cannot* assign one of the internal disks to partition `vpar1` and the other internal disk to partition `vpar2`; these disks must reside in the same partition.

- **Syntax Notes** When specifying only the SBA on the command-line, the vPars commands will assume the change applies to all LBAs under the specified SBA.

The exception are boot disks; **boot disks are specified using the full legacy hardware path.**



NOTE: When assigning I/O, if you specify a path below the LBA level (for example, `cell/sba/lba/.../device`, vPars automatically assigns the LBA to the virtual partition. For example, if you specify `-a io:0/0/0/2/0.6.0` where `0/0/0` is the `cell/sba/lba`, the `lba` of `0/0/0` is assigned to the virtual partition. Further, this LBA assignment implies that all devices using `0/0/0` are assigned to the virtual partition.

The assignment rules of LBAs remain applicable: the LBA can only be owned by one virtual partition. For example, once the LBA at `0/0/0` is assigned to one virtual partition, it cannot be simultaneously assigned to any other virtual partition. Thus, if the device at `0/0/0/2/0.6.0` is assigned to a virtual partition, the LBA at `0/0/0` is assigned to that virtual partition, so the device at `0/0/0/3/0.6.0` cannot be assigned to a different virtual partition.

LBA Example

The `vparcreate` command on a non-nPartitionable system looks like:

```
#vparcreate -p vpar1 -a cpu::1 -a cpu:::1 -a mem::1024 -a io:0.0 -a io:0.0.2.0.6.0:BOOT
```

where the I/O assignment is specified using the LBA level (-a io:0.0) and the boot disk is specified using the full hardware path (-a io:0.0.2.0.6.0).

For an nPartitionable system, the vparcreate command would look like:

```
# vparcreate -p vpar1 -a cpu::1 -a cpu:::1 -a mem::1024 -a io:0.0.0 \ -a io:0.0.0.2.0.6.0:BOOT
```

where the I/O assignment is specified using the LBA level (-a io:0.0.0.) and the boot disk is specified using the full hardware path (-a io:0.0.0.2.0.6.0).

For information on using the LBA level on nPartitionable systems, also see “Planning, Installing, and Using vPars with an nPartitionable Server” (page 49).

- **SBA/LBA versus cell/SBA/LBA** When viewing hardware paths, note the following:
 1. The explicit specification of an LBA on a non-nPartitionable system consists of two fields: sba/lba
 2. The explicit specification of an LBA on an nPartitionable system consists of three fields: cell/sba/lba
 3. With A.04.xx and A.05.xx, all LBAs under a SBA are implied when explicitly specifying a SBA without specifying any LBA. Therefore, the path specified on a command line can have different meanings depending upon the vPars version, the type of server, and the user intent. For example, the path of x/y can mean *any* of the following:
 - sba=x, lba=y on a non-nPartitionable server running vPars A.03.01 or earlier.
 - sba=x, lba=y on a non-nPartitionable server running vPars A.03.02 or later or A.04.xx.
 - cell=x, sba=y on an nPartitionable server running vPars A.03.02 or later, A.04.xx, or A.05.xx.
- **Supported I/O** Check your hardware manual to verify that your mass storage unit can be used as a bootable device. If a mass storage unit cannot be used as a boot disk on a non-vPars server, it cannot be used as a boot disk on a vPars server. vPars does not add any additional capability to the hardware.

For information on supported I/O interface cards and configurations, see the document *HP-UX Virtual Partitions Ordering and Configuration Guide*.

Memory: Topics

The memory topics in this section are:

- “Memory: Concepts and Functionality” (page 182)
- Assigning (Adding) Or Deleting Memory
 - “Memory: Assigning (Adding) or Deleting by Size (ILM)” (page 186)
 - “Memory: Assigning (Adding) Or Deleting by Size (CLM)” (page 186)
 - “Memory: Assigning (Adding) Or Deleting by Address Range” (page 188)
 - “Memory, CPU: Canceling Pending Operations” (page 210)
 - “Memory: Converting Base Memory to Float Memory” (page 190)
 - “Memory: Available and Assigned Amounts” (page 189)
- Granularity
 - “Memory: Granularity Concepts ” (page 191)
 - “Memory: Granularity Issues (Integrity and PA-RISC)” (page 192)
 - “Memory: Setting the Granularity Values (Integrity)” (page 193)
 - “Memory: Setting the Granularity Values (PA-RISC)” (page 196)
- “Memory: Notes on vPars Syntax, Rules, and Output” (page 196)

Memory: Concepts and Functionality

Definitions for Assigning (Adding) Or Deleting ILM or CLM Memory

Physical memory can be divided into two categories: ILM and CLM.

ILM Interleaved Memory, where memory consists of blocks of memory from *one or more* cells of the nPartition.

CLM Cell Local Memory, where memory consists of blocks of memory from *only a specific* cell of the nPartition.

You can assign memory to a virtual partition by any of the following methods:

- **By size.**
 - This uses the nPartition’s ILM. The basic syntax for this is:
`-a | d mem::size`
 - For more information, see “Memory: Assigning (Adding) or Deleting by Size (ILM)” (page 186).
- **By cell and a corresponding size.**
 - This uses the specified cell’s CLM. The basic syntax for this is:
`-a | d cell:cell_ID:mem::size`
 - For more information, see “Memory: Assigning (Adding) Or Deleting by Size (CLM)” (page 186).
- **By address range.**
 - This uses an address range within the available nPartition’s ILM or cell’s CLM. The basic syntax for this is:
`-a | d mem:::base:range`
 - For more information, see “Memory: Assigning (Adding) Or Deleting by Address Range” (page 188).

Definitions for Dynamically Migrating ILM or CLM Memory



NOTE: Dynamic memory migration may require a system firmware upgrade. See the *HP-UX Virtual Partitions Ordering and Configuration Guide* for details.

When assigning (adding) or deleting either ILM or CLM to a virtual partition, you can specify the memory as either *base* or *float*.

Base Base memory *cannot be deleted* from a virtual partition when a virtual partition is up. When a virtual partition is up, base memory can *only be added* to a virtual partition. *To delete base memory, the target virtual partition must be down.* When the target virtual partition is down, base memory can always be added to or deleted.

To specify base memory, you can append `:base` or `:b` to the aforementioned assignment specifications (see below). `:base` is the **default**.

While there is no specific minimum base memory requirement per vpar, the HPUX kernel does require a certain amount of base memory to boot successfully. For information on how much this should be, see the document *Installing and Updating Guide for HP-UX 11i v3 (11.31)*.

[Appendix F \(page 319\)](#), specifies the minimum portion of the total memory in the virtual partition that must be configured as base memory when the virtual partition is up. If the documented ratio is not maintained, the partition boot or online addition or deletion of float memory may fail.

Float Float memory can be *added to as well as deleted from* a virtual partition while the virtual partition is up or down.

To specify float memory, you must append `:float` or `:f` to the memory assignment specification (see below). The only exception is if you are deleting a user-specified range of memory added as float, as memory ranges are unique.

Therefore, **if you wish to add and delete memory online (while the virtual partition is up), you must specify `:float` or `:f` on the command line when you assign the memory**; if you do not specify `:float` or `:f` on the command line, that memory will be assigned as `:base` (the default) in which case you will not be able to delete the memory online. This is also true when you assign memory during the creation of a virtual partition. If you do not specify `:float` during the creation of the virtual partition, all memory assigned to the virtual partition will be considered as base.

When you wish to delete float memory online, you must also specify `:float` or `:f` on the command line; otherwise, because `:base` is the default, you will be attempting to delete base memory, which is not allowed.

When you wish to delete float memory offline, you must also specify `:float` or `:f` on the command line; otherwise, because `:base` is the default, you will be deleting base memory.

There are no minimum requirements of vPars for float memory assigned to a virtual partition.



NOTE: Memory is bound to a virtual partition when the virtual partition is booted, when memory is added online, and when assigned using an explicit user-specified range. Memory acquires the base or float attribute only when it is bound to a virtual partition. The available memory ranges within the vPars Monitor that are not bound to any virtual partition do not have any base or float attribute.

Memory ranges assigned by the vPars Monitor, both ILM and CLM, cannot be deleted online. Only user-assigned ranges of float memory can be deleted online.

The table below summarizes what you can do with each type of memory.

Table 6-1 Allowed Memory Migration Operations

vPar State	Base Memory		Float Memory	
	Add	Delete	Add	Delete
UP	Allowed	Not Allowed	Allowed	Allowed
DOWN	Allowed	Allowed	Allowed	Allowed

Syntax for Assigning (Adding) and Deleting Base and Float Memory

The resulting syntax to specify memory as either float or base is:

ILM/size: `-a|d mem::size[:b[ase]|f[loat]]`

CLM: `-a|d cell:cell_ID:mem::size[:b[ase]|f[loat]]`

Address: `-a|d mem:::base:range[:b[ase]|f[loat]]`



NOTE:

The Default is :base. When neither :base or :float is specified, the **default is :base**.

When you add memory as :float, you must specify :float on the command line. Further, when you wish to delete float memory, you must also specify :float on the command line, for example:

```
# vparmodify -p keira3 -d mem::256:float
```

If you do not specify :float when adding or deleting memory, regardless of the state of the partition, the default of :base is attempted.

NOTE:

Mixed vPars Environments In a mixed HP-UX 11i v2/v3 vPars environment, or a mixed HP-UX 11i v1/v2/v3 vPars environment, dynamic memory migration is only supported on the vPars versions that support dynamic memory migration. In other words, the both source and target virtual partitions *must be running vPars A.05.xx*.

It is possible to perform add/delete memory operations on virtual partitions running A.04.xx, as long as the target virtual partition is in the down state. Note that the `vparmodify` command must be executed on a virtual partition running vPars A.05.xx.

For more information on mixed HP-UX 11i v2/v3 vPars environments or mixed HP-UX 11i v1/v2/v3 vPars environments, see “Mixed HP-UX 11i v2/v3 vPars Environments in vPars A.05.xx” (page 60) or “Mixed HP-UX 11i v1/v2/v3 vPars Environments in vPars A.05.03” (page 63).

Performance Note for Base versus Float Memory Amounts

When a virtual partition contains more base memory, this allows the OS to improve the memory performance of applications since there is more locked memory at its disposal. When a virtual partition contains more float memory in each virtual partition, this allows the user the flexibility to move memory between partitions based on the memory needs in each partition, but this will not be locked memory.

Note that similar to memory being reserved for the kernel in a non-vPars OS instance, the OS kernel in a virtual partition requires some amount of base memory to boot and run. See [Appendix F \(page 319\)](#), for a virtual partition’s base memory requirement.

For information on general memory management, including locked memory, see the white paper *HP-UX Memory Management* available at <http://docs.hp.com>.



NOTE:

WLM and Dynamically Migrating Memory in vPars If WLM is managing the target virtual partition, the WLM daemons `wlmpard` and `wlmd` should be stopped prior to execution of the `vparmodify` command to migrate the memory. For more information, see the WLM A.03.02 Release Notes at <http://www.hp.com/go/wlm>.

NOTE:

Granules and Memory Migration When memory is deleted from an UP virtual partition, the actual amount deleted may not be what is specified on the command line. First, memory is always migrated (added or deleted) in terms of memory granules. The vPars Monitor rounds up to the next granule size. For example, if a 100 MB memory deletion request is made and the memory granularity is set to 256 MB, 256 MB will be deleted - not 100 MB. If a 257 MB deletion is requested, 512 MB will be deleted. To minimize any unintended changes, you can perform memory migrations in terms of multiples of the granule size.

Another reason for a difference between the specified amount on the command line and the actual amount is memory alignment: whether the target virtual partition has float memory granules that are aligned on a granular boundary.

In a vPars system, a few memory granules may not conform to the specified granule size. For example, even if the specified granule size is 256 MB, there may be memory granules that are less than 256 MB. Within a granule, the firmware may use a portion of the memory granule even before the vPars Monitor boots, or memory pages in the system may be bad due to double bit memory errors.

For example, if we have the following configuration:

- The specified ILM granule size is 256 MB.
- `vpar1` contains 500 MB of float memory made up of two granules, 256 MB and 244 MB.

If you request a deletion of 244 MB, the vPars Monitor rounds up the request to the specified granule size of 256 MB and passes the request to the OS kernel. The kernel chooses one of the float memory granules for deletion. The chosen granule can be *either* the 244 MB or 256 MB granule. If the kernel chooses the 256 MB granule, then the amount of memory that is deleted is different from the request of 244 MB. The contrary is true, where if you request a 256 MB deletion, the kernel may choose the 244 MB granule. Again, the memory deleted (244 MB) is different from the command line request of 256 MB.

For further information on memory usage, see Appendix D (page 315).

Advanced Topic: Granularity

Granularity refers to the unit size in which memory is assigned to the all virtual partitions in a given vPars database (`vpdb`). You should be careful when using the granularity option; using the granularity option incorrectly can cause all the virtual partitions to not be bootable.

For information, see:

- “Memory: Granularity Concepts ” (page 191)
- “Memory: Granularity Issues (Integrity and PA-RISC)” (page 192)
- “Memory: Setting the Granularity Values (Integrity)” (page 193)
- “Memory: Setting the Granularity Values (PA-RISC)” (page 196)

Memory: Assigning (Adding) or Deleting by Size (ILM)

Assigning (adding) or deleting memory by specifying only size uses ILM memory.

Syntax

The basic syntax for adding or deleting ILM resources assigned to a virtual partition is:

```
-a | d mem::size[:base|float]
```

where:

-a add

-d delete

size the quantity of ILM in MBs

base add/delete as base memory (this is the *default* when neither base nor float is specified)

float add/delete as float memory

Examples

- To create the virtual partition winona2 with 1024 MB of ILM:
winona1# vparcreate -p winona2 -a mem::1024
- To add 1024 MB of ILM as float memory to an existing partition winona2:
winona1# vparmodify -p winona2 -a mem::1024:float
- To decrease the amount of base ILM assigned to partition winona2 by 1024 MB:
winona1# vparmodify -p winona2 -d mem::1024



NOTE: Use of this syntax (removal of base memory) will only work when the target partition is down.

- To see how much of the ILM memory is currently float memory, use `vparstatus -v`:
vparstatus -p keira4 -v
...
[Memory Details]
ILM, user-assigned [Base /Range]:
 (bytes) (MB)
ILM, monitor-assigned [Base /Range]: 0x50000000/512
 (bytes) (MB) 0x4080000000/256
 0x40f0000000/256 (Floating)
ILM Total (MB): 1024 (Floating 256)
ILM Granularity (MB): 256



NOTE: Although not an error, the size of ILM assigned should be a multiple of the granularity value.

When a user specifies online memory deletion by size, the kernel can select any granule to delete in order to satisfy the request. Typically the kernel selects any granule which will be quick to delete. If the selected granule falls within a user-specified float range, then the user-specified range is converted to a vPars Monitor-assigned range.

See also “Memory: Notes on vPars Syntax, Rules, and Output” (page 196) and “Memory, CPU: Canceling Pending Operations” (page 210).

Memory: Assigning (Adding) Or Deleting by Size (CLM)

Before assigning CLM, see the section on configuring CLM: “Configuring CLM for an nPartition” (page 272). Once CLM is configured, you can assign an amount of CLM to a virtual partition.

The syntax to assign, delete, or modify an amount of CLM is:

```
-a|d|m cell:cell_ID:mem::size[:base|float]
```

where:

```
-a      add
-d      delete
-m      modify
cell_ID the cell number
size    the quantity of memory in MBs
base    add/delete as base memory
float   add/delete as float memory
```

Example

- To add 1024 MB of memory as float from cell 6 to the existing partition keira2:
keira1# vparmodify -p keira2 -a cell:6:mem::1024:float
- You can set both ILM and CLM memory on the same partition. To assign 1024 MB of available CLM and 1024 MB of available ILM as base memory to keira2:
keira1# vparmodify -p keira2 -a cell:6:mem::1024 -a mem::1024
- To see how much of the ILM memory is currently float memory, use `vparstatus -v` as shown in the example below.

```
# vparstatus -p winona4 -v
...
[Memory Details]
...
CLM, user-assigned [CellID Base /Range]: 0 0x700b0000000/256 (Floating)
                                         (bytes) (MB) 0 0x700c0000000/256
CLM, monitor-assigned [CellID Base /Range]: 0 0x70080000000/512
                                         (bytes) (MB) 0 0x700a0000000/256 (Floating)
CLM (CellID MB): 0 1280 (Floating 512)

CLM Granularity (MB): 256
```



NOTE: When assigning ILM or CLM memory to a down partition, the size only reserves the amount of physical memory the virtual partition gets. The exact physical ranges of memory the virtual partition gets is decided by the vPars Monitor when the virtual partition boots. The vPars Monitor will attempt to pick the memory ranges such that the sum of the ranges add up to the amount of ILM and CLM reserved for the partition. However, due to memory fragmentation, which occurs due to memory already taken by the vPars Monitor, firmware, or bad pages, the sum of the ranges picked by the vPars Monitor may be slightly less than or more than the specified amount reserved for the partition. If this occurs, the vPar Monitor adjusts the specified amount in the database to the sum of the ranges that it picked.

See also “Memory: Notes on vPars Syntax, Rules, and Output” (page 196) and “Memory, CPU: Canceling Pending Operations” (page 210).

Memory: Assigning (Adding) Or Deleting by Address Range

Within the already allocated memory sizes, you can specify the memory address ranges using the `mem:::base:range[:base|float]` syntax. However, this is not recommended unless you are familiar with using memory addresses. For PA-RISC systems, you should also be familiar with the requirement that all HP-UX kernels fit within 2 GB of memory, as described in “2 GB Restriction (PA-RISC only)” (page 188).

For usage information, see the `vparmodify(1M)` manpage. You should select your `base:range` after consulting `vparstatus -A` to determine which ranges are available.



NOTE:

- Specifying an address range to a virtual partition that is down does *not* increase the amount of memory assigned to the virtual partition. The address range is a specific subset of the existing ILM or CLM amount assigned to the virtual partition. Therefore, the total amount of memory specified by ILM or CLM addresses cannot exceed the amount of ILM and CLM assigned to the virtual partition.

However, specifying an address range to a virtual partition that is up *does* increase the amount of memory assigned to the virtual partition.

- Address ranges are unique within a given nPartition. Therefore, specifying `base:range` (and not a `cell_ID`) is sufficient for using an address range within CLM. You can use `vparstatus -A` to list the available ranges and whether the ranges are a part of ILM or CLM. Further, if the range is within CLM, `vparstatus -A` also lists to which cell the range belongs.
- See also “Memory: Notes on vPars Syntax, Rules, and Output” (page 196) and “Memory, CPU: Canceling Pending Operations” (page 210).



CAUTION:

- Normally, ranges are granule-aligned (in other words, the starting address and the ending address of the range is a multiple of a granule). However, due to memory fragmentation, some of the ranges may not be granule-aligned. vPars does not support assigning ranges that are not aligned to a granule and will return an error when such ranges are assigned to a virtual partition.

2 GB Restriction (PA-RISC only)

When ranges are specified for the entire memory owned by a partition, you should ensure that at least one of the ranges is below 2 GB and is large enough to accommodate the kernel for that partition. However, other partitions also require memory below 2 GB for their kernels. Hence, you also should ensure that the specified range below 2 GB is not so large such as to preclude memory below 2 GB for the other partitions.

In general terms, the sum of the size of the kernels must be < 2 GB. To calculate the kernel sizes, see “Calculating the Size of Kernels in Memory (PA-RISC only)” (page 313).

If a partition contains a user-specified float range below 2 GB, the partition will not boot. Ensure that you have not assigned a float range below 2 GB on PA-RISC. If you have, remove such a specified float range.



CAUTION: Not allowing enough memory for the other partitions will cause the other partitions to not boot. You can boot the partition by freeing up enough memory for the partition to boot, such as by shutting down an active partition.

If there are no memory ranges available to the partition below 2 GB, the partition will not boot.

If you use the defaults of the dynamic tunables, you will not run into the 2 GB limit. However, if you have adjusted the dynamic tunables, it is possible to run beyond the 2 GB boundary. For more information on adjusting the kernel size with dynamic tunables, see the white paper *Dynamically Tunable Kernel Parameters* at <http://docs.hp.com>.

Memory: Available and Assigned Amounts

vparstatus: Available ILM and CLM Memory

To determine the amount of available memory, use the `vparstatus -A`:

```
# vparstatus -A

[Available ILM (Base /Range)]: 0x30000000/80
                               (bytes) (MB) 0x10000000/512
                                           0x50000000/768
                                           0xb8000000/1024
                                           0x100000000/1920
                                           0x178000000/96

[Available ILM (MB)]: <none>

[Available CLM (CellID Base /Range)]: 0 0x70080000000/256
                                       (bytes) (MB) 0 0x700b0000000/1152
                                       0 0x700f8000000/120

[Available CLM (CellID MB)]: 0 504
                             1 0
```



NOTE: To see how memory is used by vPars in nPartitions, see Appendix D (page 315).

vparstatus: Base and Float Memory Amounts

With vPars A.05.xx, you can assign ILM and/or CLM memory as either base or float. The verbose (-v) output of `vparstatus` shows how much is float relative to the total ILM and CLM memory that is assigned.

```
# vparstatus -p keira4 -v
...
[Memory Details]
ILM, user-assigned [Base /Range]:
                        (bytes) (MB)
ILM, monitor-assigned [Base /Range]: 0x50000000/512
                                       (bytes) (MB) 0x4080000000/256
                                       0x40f0000000/256 (Floating)

ILM Total (MB): 1024 (Floating 256)

ILM Granularity (MB): 256

CLM, user-assigned [CellID Base /Range]: 0 0x700b0000000/256 (Floating)
                                       (bytes) (MB) 0 0x700c0000000/256
CLM, monitor-assigned [CellID Base /Range]: 0 0x70080000000/512
                                       (bytes) (MB) 0 0x700a0000000/256 (Floating)

CLM (CellID MB): 0 1280 (Floating 512)

CLM Granularity (MB): 256
```

Memory: Converting Base Memory to Float Memory

In vPars A.04.xx and A.03.xx, all memory is base memory, meaning this memory cannot be removed from a virtual partition while the virtual partition is up. In vPars A.05.xx, if you wish to remove memory from a virtual partition while the virtual partition is up, you will need to have that amount of memory added to the virtual partition as float. By default, all memory assigned to a virtual partition is base memory, so below is the process to convert base memory to float memory. There is no vPars command to do this automatically.

1. **Decide how much memory you wish to have as dynamically migratable memory.** Note that each virtual partition requires enough base memory to load and run the kernel. See also “Performance Note for Base versus Float Memory Amounts” (page 184) and Appendix F (page 319) for information on a virtual partition’s base memory requirements.

For our example, let’s assume that on keira3, we wish to convert **512 MB** of existing ILM base memory to ILM float memory.

2. **Because :base memory can only be removed from a partition while the partition is down, shut down the target partition.** `keira3# shutdown -hy 0`
3. **Remove the amount of :base memory from the target partition that you wish to convert to :float memory.** `keira1# vparmodify -p keira3 -d mem::512`
4. **Add that amount of memory as :float to the target partition.** `keira1# vparmodify -p keira3 -a mem::512:float`
5. **Boot up the target partition.** `keira1# vparboot -p keira3`



NOTE: If you have the available memory and do not wish to shut down the target virtual partition, instead of converting base memory to float memory, you can simply add that amount of memory as float memory while the target partition is up:

```
keira3# vparmodify -p keira3 -a mem::512:float
```

NOTE:

Mixed vPars Environments In a mixed HP-UX 11i v2/v3 vPars environment, or a mixed HP-UX 11i v1/v2/v3 vPars environment, dynamic memory migration is only supported on the vPars versions that support dynamic memory migration. In other words, the both source and target virtual partitions *must be running vPars A.05.xx*.

It is possible to perform add/delete memory operations on virtual partitions running A.04.xx, as long as the target virtual partition is in the down state. Note that the `vparmodify` command must be executed on a virtual partition running vPars A.05.xx.

For more information on mixed HP-UX 11i v2/v3 vPars environments or mixed HP-UX 11i v1/v2/v3 vPars environments, see “Mixed HP-UX 11i v2/v3 vPars Environments in vPars A.05.xx” (page 60) or “Mixed HP-UX 11i v1/v2/v3 vPars Environments in vPars A.05.03” (page 63).

Memory: Granularity Concepts

Granularity refers to the unit size by which memory assigned to all virtual partitions in a vPars database (vpdb) can be increased or decreased. Granularity reflects only the unit size of memory and not the amount of memory that is assigned.

This section briefly covers configuring memory granularity.

The default granularity is 128 MB for ILM and 128 MB for CLM. However, you can specify your own granularity for CLM and/or ILM. Granularity has some specific restrictions and cannot be changed in a vPars database after they are set. Be sure to read the **CAUTION** portion in the next section.

Granularity Value Locations

Integrity Systems. There are two areas where granularity values are set:

1. The nPartition firmware, specifically the EFI variables in NVRAM (non-volatile RAM).
2. The vPars database.

In order for the virtual partitions in the vPars database to be able to boot, the granularity values in the vPars database must match the granularity values in the firmware.

On Integrity systems, memory is divided into the granules by the firmware; therefore, it is required that you set and match the corresponding EFI variables.

PA-RISC systems. There is only one area where granularity values are set: the vPars database.

For PA-RISC, there are no granularity values in the PA-RISC firmware. The memory is divided into the granules by the vPars Monitor itself. Note that this means the update firmware option ([:y]) of `vparcreate` is ignored on PA-RISC.

Memory: Granularity Issues (Integrity and PA-RISC)



CAUTION: (`vparcreate` only) When you specify the granularity value for only one type of memory (ILM or CLM), the granularity value for the other type of memory is set using the default granularity value. For example, if you specify only `-g ILM:256`, the `-g CLM:128` is implied where 128 is the vPars default granularity value.

You should be careful when using the granularity option; using the option incorrectly can cause all the virtual partitions to not be bootable.

Further, granularity in the vPars database can only be specified during the creation of the vPars database. This means the first `vparcreate` command performed to create the database can be used to specify the granularity, but it cannot be changed after that. It cannot be changed by subsequent `vparcreate` commands nor any other commands; any change in values requires the entire vPars database to be re-created. Therefore, read this section thoroughly.

For details on granularity values and granularity limitations, see the *vparresources(5)* manpage. The granularity section of this manpage contains critical notes which you should know when planning a granularity value. These include:

- The minimum values for granularity of both ILM and CLM are 64 MB.
- The chosen granularity value(s) must be an integral power of 2 (in other words, 2^X).
- (Integrity only) There is a limit on the number of CLM granules per cell and total ILM granules you can set. Use the `vparsenv` command to see the maximum possible granules for ILM and CLM for your specific system. For example:

```
# vparcreate
vparcreate: The next boot mode setting is "vPars".
vparcreate: The ILM granule size setting is 128.
vparcreate: The CLM granule size setting is 128.
vparcreate: Note: Any changes in the above settings will become effective
only after the next system reboot.
vparcreate: Note: The maximum possible CLM granules per cell is 64.
vparcreate: Note: The maximum possible ILM granules for this system is 1024.
```

If either of these values are exceeded when you set your granularity values, the vPars Monitor will not boot any virtual partitions. You must rebuild your vPars database such that the number of granules related to both ILM and CLM does not exceed the numbers in your `vparsenv` output.

- (PA-RISC only) Excluding the first granule, a portion of which is used by the vPars Monitor, there must be at least one entire granule that exists below the 2 GB limit for each virtual partition. At least one granule below 2 GB is needed for the kernel in each virtual partition.
 - (Integrity only) In a mixed HP-UX 11i v2/v3 vPars environment, the boot time of virtual partitions running vPars A.04.xx will be greater if the nPartition contains more granules. To reduce the boot time of the virtual partitions running vPars A.04.xx, increase the granule size. The boot time of a virtual partition running vPars A.05.xx does not vary with the number of granules.
 - (Integrity only) In order for the virtual partitions in an active database to be able to boot, the granularity values in the vPars database must match those written in the system firmware.
-

Memory: Setting the Granularity Values (Integrity)

Syntax

The syntax for setting granularity unit size is:

```
-g ILM|CLM:unit[:y|n]
```

where:

-g is granularity

ILM|CLM specifies whether the unit size is applied to ILM or CLM

unit is the granularity unit size in MBs

This value must be an integral power of 2 (in other words, 2^X) and be greater than or equal to 64.

y|n specifies whether granularity unit size should be written to firmware. The default is n.

[vparcreate only; Integrity only]

The default memory granularity for CLM and ILM is based on the total memory in the nPartition. The minimum default value is 128 MB. However, if the memory in the nPartition is too large to fit into the supported number of memory granules for the nPartition, then the vPars commands will choose the next higher supported memory granularity value as the default memory granularity.

The default memory granularity is determined by the vPars software when the vPars database is created for the first time. Default memory granularity based on the total memory on the system is not applied to the database when an alternate database is specified by the user on the command line. When new memory is added to the hard partition, memory granularity is not automatically recalculated.



NOTE: In certain scenarios, the vPars commands may not be able to calculate the default granularities accurately. In these cases, a default of 128 MB will be chosen and a warning message asking the user to validate the granularity manually will be issued.

Commands

There are two commands that can set the granularity values: `vparenv` and `vparcreate`. Both are available at the HP-UX shell level and use the `-g` option:

1. **vparenv -g ...**

writes the granularity values to the firmware only. Note that `vparenv` is applicable only on Integrity.

2. **vparcreate -g ...**

writes the granularity values to the vPars database and also can (using the update firmware option `[:y]`) write these values to firmware.

vparenv

```
# vparenv -g ILM|CLM:unit
```

writes the *unit* granularity value to firmware. This takes effect for the nPartition on the next nPartition boot. For example, to set the granularity unit size in firmware for ILM to 512 MB and for CLM to 256 MB:

```
# vparenv -g ILM:512 -g CLM:256
```

Note that this does not set the granularity value in the vPars database. Only `vparcreate` sets the granularity value in the vPars database. Typically, you would change the granularity with

`vparsenv` rather than `vparcreate` if you have more than one database with differing granularities, and wish to switch to a database with different granularity during the next vPar Monitor boot.



CAUTION: The granularity values in firmware *must match* those in the vPars database used during the next boot of the vPars Monitor. If the granularity values in firmware do not match those in the vPars database, the virtual partitions of that database will not boot.

vparcreate

```
# vparcreate -p vpar1_name [-g ILM:unit[:y]] [-g CLM:unit[:y]]
```

If you specify the above command *without* the `:y`, `vparcreate` only writes the `unit` granularity value to the vPars database; it does *not* write the value to firmware.

If you specify the above command *with* the `:y`, `vparcreate` writes the `unit` granularity value to both the vPars database and to firmware.

When using this method, note that the `-g` option must be performed when creating the vPars database (in other words, when performing the initial `vparcreate` command). If you choose not to set a value, or if you set the value incorrectly using the initial `vparcreate` command, you cannot adjust it later. You must re-create the vPars database.

Usage Scenarios

`vparcreate` **with the `:y` option** The following is a scenario where you would want to use `vparcreate` with the `-g` option and the `:y` specification:

1. In nPars mode, you create your first virtual partition with a 256 MB granularity value for ILM. The command is

```
# vparcreate -g ILM:256:y -p keiral ...
```

2. This writes the ILM granularity value to both the vPars database and to firmware. Since the default CLM granularity value is 128, this also writes the CLM granularity value of 128 to both the vPars database and to firmware. Because the values in both the vPars database and firmware match, you can boot this vPars database immediately after setting the nPartition for vPars mode and rebooting the nPartition.

```
# vparsenv -m vPars 1
# shutdown -r 2
```

1 Set the mode for the next nPartition reboot.

2 Reboot the system.

`vparcreate` **without the `:y` option and** `vparsenv` The following is a scenario where you would want to use `vparcreate` with the `-g` option but without the `:y` specification. It also shows where you need to use `vparsenv` to set the granularity value in the firmware. Note that this scenario would only occur on Integrity systems.

1. You are in a vPars environment, running the default vPars database of `/stand/vpdb` that uses the 128 MB granularity values for ILM and CLM. Because the virtual partitions have

been booted successfully, this means the current firmware also has granularity values of 128 MB.

2. You create an alternate database `/stand/vpdb.alt` with a granularity value of 512 MB for ILM and 256 MB for CLM.

```
# vparcreate -D /stand/vpdb.alt -g ILM:512 -g CLM:256 -p keira1 ...
```

3. This writes the granularity value to the vPars database but not to firmware, which allows you to continue using the active vPars database `/stand/vpdb` with its 128 MB granularity value.

When you wish to load `/stand/vpdb.alt`, you must then set the granularity value in firmware using `vparsenv`, reboot the nPartition, and load the alternate database.

```
# vparenv -g ILM:512 -g CLM:256 1
```

```
MON> reboot 2
```

```
...
```

```
HPUX> boot vpmmon -D /stand/vpdb.alt 3
```

- 1 Set granularity value in firmware.
- 2 Reboot the nPartition.
- 3 Load the alternate vPars database.

Memory: Setting the Granularity Values (PA-RISC)

Syntax

The syntax for setting granularity unit size is

```
-g ILM|CLM:unit[:y|n]
```

where

-g is granularity

ILM|CLM specifies whether the unit size is applied to ILM or CLM

unit is the granularity unit size in MBs

This value must be an integral power of 2 (in other words, 2^X) and be greater than or equal to 64.

y|n specifies whether granularity unit size should be written to firmware. The default is n.

Ignored on PA-RISC.

The default granularity is 128 MB for ILM and 128 MB for CLM.

Commands

There is only one command that can set the granularity values: the **vparcreate** command with the -g option:

1. `vparcreate -g ...`

`vparcreate` writes the granularity values to the vPars database; the update firmware option ([:y]) is extraneous and is ignored on PA-RISC.

vparcreate

```
# vparcreate -p vpar1_name [-g ILM:unit] [-g CLM:unit]
```

writes the *unit* granularity value to the vPars database when the first virtual partition for a given vPars database is created.

When using this method, note that the -g option must be performed when creating the vPars database (in other words, when performing the initial `vparcreate` command). If you set the value incorrectly using the initial `vparcreate` command, you cannot adjust it later. You must re-create the vPars database.

Usage Scenario

In standalone mode, you create your first virtual partition with a 256 MB granularity value for both ILM and CLM. The command is:

```
# vparcreate -g ILM:256 -g CLM:256 -p keiral ...
```

This writes the granularity values to the vPars database.

Note that with the `vparcreate` command, when you specify the granularity value for only one type of memory (ILM or CLM), the granularity value for the other type of memory is set using the default granularity value. For example, if you specify only `-g ILM:256`, the `-g CLM:128` is implied where 128 is the vPars default granularity value.

Memory: Notes on vPars Syntax, Rules, and Output

Memory: CLI Rules for Dynamic Migration of Memory

Note the following CLI (Command Line Interface) rules for **online migration** of memory and CPUs while the target partitions are up. Note that because the following applies only to online

migration (in other words, where the target partition is up), it does not apply to the `vparcreate` command, where the target virtual partition should never be up during the `vparcreate` invocation.

- In the same command, you cannot have an online addition and online deletion. For example, the following are **illegal**:

```
– keiral# vparmodify -p keira2 -a cpu::2 -d cpu::1
– keiral# vparmodify -p keira2 -a mem::1024 -d mem::512
```

You must specify each change on a **separate command line**. For example, the following are **allowed**:

```
– keiral# vparmodify -p keira2 -a cpu::2
keiral# vparmodify -p keira2 -d cpu::1
– keiral# vparmodify -p keira2 -a mem::1024
keiral# vparmodify -p keira2 -d mem::512
```

- In the same command, you cannot make changes to both memory and CPU. For example, the following is **illegal**:

```
– keiral# vparmodify -p keira2 -a cpu::2 -a mem::1024
```
- In the same command, you cannot make changes by both address and ILM or both address and CLM. For example, the following are **illegal**:

```
– keiral# vparmodify -p keira2 -a mem::1024 -a mem:::0x40000000:256
– keiral# vparmodify -p keira2 -a cell:6:mem::1024 -a
mem:::0x40000000:256
```
- In the same command, you can specify both ILM and CLM changes. For example, the following are **allowed**:

```
– keiral# vparmodify -p keira2 -a mem::1024 -a cell:6:mem::1024
```
- In the same command, you can migrate both base and float memory. For example, the following are **allowed**:

```
– keiral# vparmodify -p keira2 -a mem::512:b -a mem::512:f
– keiral# vparmodify -p keira2 -a mem::512:b -a cell:0:mem::512:f
-a cell:2:mem::1024
```

Memory: Allocation Unit Notes

- The default memory assigned to a virtual partition is 0 MB, so you need to specify enough memory for your applications and the operating system. See the *Installation and Update Guide* for your OS and the *nPartition Administrator's Guide* for your server.
- The unit for the specified size of memory for the vPars commands is megabytes; `parmodify` uses gigabytes.
- Memory is allocated in multiples of granule size.

CPU: Topics

The CPU topics in this section are:

- “CPU: Concepts and Functionality” (page 198)
- Assigning (Adding) Or Deleting CPUs
 - “CPU: Specifying Min and Max Limits” (page 199)
 - “CPU: Adding and Deleting by Total” (page 199)
 - “CPU: Adding or Deleting by CLP (Cell Local Processor)” (page 202)
 - “CPU: Adding or Deleting by Hardware Path” (page 202)
 - “Memory, CPU: Canceling Pending Operations” (page 210)

- “CPU: Notes on vPars Syntax, Rules, and Output” (page 203)
- Additional CPU Topics
 - “CPU: Dual-Core Processors” (page 205)
 - “CPU: Hyperthreading ON/OFF (HT ON/OFF)” (page 207)
 - “CPUs: Managing I/O Interrupts” (page 208)
 - “CPU: CPU Monitor (Formerly Known As LPMC Monitor)” (page 209)

CPU: Concepts and Functionality



NOTE:

Processor Terminology Processing resources under vPars, both as input arguments and command outputs, are described as “CPUs.” For multi-core processors such as the PA-8800 and dual-core Intel Itanium processors, the term “CPU” is synonymous with “core.” The term “processor” refers to the hardware component that plugs into a processor socket. Therefore a single processor can have more than one core, and vPars commands will refer to the separate cores as distinct “CPUs,” each with its own hardware path.

Two vPars terms pre-date multi-core processors, so they are exceptions to this terminology:

- “Boot processor,” which refers to the CPU (that is, core) on which the OS kernel of the virtual partition was booted.
- “Cell local processor (CLP),” which refers to a CPU on a specified cell.

For more information on dual-core processors, see “CPU: Dual-Core Processors” (page 205).

CPUs: Definitions for CPUs

Beginning with vPars A.04.01, the concept and restrictions of bound and unbound CPUs have been removed. Now, there are two types of CPUs: *boot processors* and *dynamic CPUs*.

Boot Processor This is the CPU on which the OS kernel of the virtual partition was booted. There is one boot processor per virtual partition. On booting of a virtual partition, the vPars Monitor determines which CPU becomes the boot processor. Note that the specific CPU chosen as the boot processor may differ across virtual partition reboots.

Dynamic CPUs These are all the other CPUs, because all CPUs, except the boot processor of each virtual partition, can be dynamically migrated. You can find which CPU is the boot processor by using the `vparstatus` command; see “Commands: Displaying vPars Monitor and Resource Information (`vparstatus`)” (page 137).

You can manage CPUs in multiple ways:

- | | |
|-------------------------|--|
| by min and max limits: | See “CPU: Specifying Min and Max Limits” (page 199) |
| by total | See “CPU: Adding and Deleting by Total” (page 199) |
| by cell local processor | See “CPU: Adding or Deleting by CLP (Cell Local Processor)” (page 202) |
| by hardware path | See “CPU: Adding or Deleting by Hardware Path” (page 202) |

CPU: Specifying Min and Max Limits

The syntax to specify *min* and *max* CPUs assigned to a virtual partition is:

```
- [a|m] cpu:::[min] [:max]
```

where:

-a add (used with `vparcreate` or `vparmodify`)

-m modify (used with `vparmodify`)

min the minimum number of CPUs for the virtual partition to boot and the minimum number of CPUs that must remain assigned to the partition

max the maximum number of CPUs that can be assigned to the virtual partition



NOTE: The virtual partition must be in the down state to set the min or max value.

The total count of CPUs in the virtual partition must always be greater than or equal to *min* and less than or equal to *max*.

See “CPU: Notes on vPars Syntax, Rules, and Output” (page 203) regarding the new concepts and count rules for *min*.

Examples

- To set the minimum number of CPUs to 2:
keira1# vparmodify -p keira2 -m cpu:::2
- To set the minimum number of CPUs to 2 and the maximum to 4:
keira1# vparmodify -p keira2 -m cpu:::2:4

CPU: Adding and Deleting by Total

The basic syntax for adding and deleting CPUs is:

```
- [a|d|m] cpu:::num
```

where:

-a|d|m specifies adding, deleting, or modifying the *total* count of CPUs.

num specifies the number of CPUs.



NOTE: CPU deletion fails when deletion by total and by CLP are given in the same `vparmodify` command.

In this situation, the CPU deletion by total fails with the error message “vPar does not own enough Monitor-assigned CPUs to satisfy the request” although there are enough monitor-assigned CPUs.

Instead, issue separate `vparmodify` commands to delete by total and delete by CLP.

For example instead of issuing the following command:

```
# vparmodify -p vpar1 -d cell:3:cpu::2 -d cpu::1
```

Issue two separate commands to delete by CLP and then by total:

```
# vparmodify -p vpar1 -d cell:3:cpu::2
```

```
# vparmodify -p vpar1 -d cpu::1
```

NOTE: The virtual partition can be either up or down when using the `cpu::num` syntax.

When the virtual partition is active, CPUs that were added using the `cpu::num` syntax can be deleted only by using either:

- `cpu::num` syntax, or
- `cpu:hw_path` syntax (deletion by hardware path)

Total increases or decreases by *num* when using the `-a` or `-d` options and is set to *num* when using the `-m` option.

vparcreate

With the `vparcreate` command, you would use the `-a` option and specify as *num* the number of CPUs to allocate to the virtual partition.

If no `cpu` syntax is given on the `vparcreate` command line, the default value for total is 1.

Example

- To create the virtual partition `keira2` with 3 CPUs, set *num* to 3:

```
keira1# vparcreate -p keira2 -a cpu::3 ...
```

vparmodify

With the `vparmodify` command, you can use the following:

- `-a` option to add *num* CPUs to the virtual partition.
- `-d` option to delete *num* CPUs from the virtual partition.
- `-m` option to modify (set) to *num* the number of CPUs assigned to the partition. The vPars Monitor automatically will add or delete CPUs to or from the virtual partition to reach *num* CPUs.

Examples

- If an existing partition has 2 CPUs and you would like to set the number of CPUs to 3, you can modify the number of CPUs assigned to the partition by using the `-m` option and setting *num* to 3:

```
keira1# vparmodify -p keira2 -m cpu::3
```

To set the number of CPUs back to two, use the `-m` option and set *num* to 2:


```
keira1# vparmodify -p keira2 -m cpu::2
```

- If you would like to add 1 CPU to an existing partition, regardless of its current CPU count, you can add 1 CPU by using the `-a` option and setting `num` to 1:

```
keira1# vparmodify -p keira2 -a cpu::1
```

To remove the added CPU from the partition, use the `-d` option and set `num` to 1:

```
keira1# vparmodify -p keira2 -d cpu::1
```

CPU: Adding or Deleting by CLP (Cell Local Processor)

Similar to CLM (cell local memory), CLP (cell local processor) refers to CPUs on a specific cell. The syntax to specify CLP is:

```
- [a|d|m] cell:cell_ID:cpu::num
```

where:

-a add

-d delete

-m modify

cell_ID the cell ID

num the number of CPUs from the cell to be added to or deleted from the virtual partition. Note that the *num* CPUs need to be available on the cell as well as the system before they can be added. To see whether they are available or already allocated, use the `vparstatus` command.



NOTE: CPU deletion fails when deletion by total and by CLP are given in the same `vparmodify` command.

In this situation, the CPU deletion by total fails with the error message “vPar does not own enough Monitor-assigned CPUs to satisfy the request” although there are enough monitor-assigned CPUs.

Instead, issue separate `vparmodify` commands to delete by total and delete by CLP.

For example instead of issuing the following command:

```
# vparmodify -p vpar1 -d cell:3:cpu::2 -d cpu::1
```

Issue two separate commands to delete by CLP and then by total:

```
# vparmodify -p vpar1 -d cell:3:cpu::2
```

```
# vparmodify -p vpar1 -d cpu::1
```

NOTE: The virtual partition can be either up or down when using the CLP syntax (*cell_ID:cpu::num*).

CPUs that are added using the CLP syntax can be deleted only by using either:

- CLP syntax, or
- `cpu:hw_path` syntax (deletion by hardware path)

Adding or deleting CPUs by CLP changes total accordingly, regardless of whether the virtual partition is up or down.

Examples

- To create a virtual partition using 2 CPUs from cell 6:
keira1# `vparcreate -p keira2 -a cell:6:cpu::2 ...`
- To increase the number of CPUs by 2 using the CPUs of cell 6:
keira1# `vparmodify -p keira2 -a cell:6:cpu::2`
To decrease the number of CPUs by 2 using the CPUs of cell 6:
keira1# `vparmodify -p keira2 -d cell:6:cpu::2`

CPU: Adding or Deleting by Hardware Path

The syntax for specifying by hardware path is:

```
- [a|d] cpu:hw_path
```

where:

-a add

-d delete

hw_path the *hw_path* (you can find the hardware path using `ioscan` or `vparstatus -v`)



NOTE: The target virtual partition can be up or down when specifying by hardware path.

CPUs that are added using the hardware path syntax can be deleted only by using the hardware path syntax.

Adding or deleting CPUs by hardware path changes total only when the virtual partition is up (unless the operation is an addition and the specified CPU is already assigned to the partition). If the virtual partition is down, total is not changed and becomes a high boundary. For example, if keira2 is down and total is set to 2, you cannot have more than 2 CPUs added by hardware path. This is for A.03.xx backwards compatibility.

Example

- To add the CPUs at 0/10 and 0/11 to keira2:

```
keira1# vparmodify -p keira2 -a cpu:0/10 -a cpu:0/11
```

Using both the Hardware Path Specification and CLP specification

Although you can add and delete CPUs by hardware path, to avoid confusion it is recommended that you specify by cell rather than by hardware path. The exception is for dual-core processors.

For dual-core processors, if you wish to have both cores of a processor assigned to the same virtual partition, you should specify by hardware path instead of by cell. Specifying by cell cannot guarantee that both cores in the processor are the CPUs chosen by the vPars Monitor and assigned to the target virtual partition, although the vPars Monitor will attempt to do this whenever possible.

For more information on configuring dual-core processors, see “CPU: Dual-Core Processors” (page 205).

CPU: Notes on vPars Syntax, Rules, and Output

CPU: CLI Rules for Dynamic Migration of Memory and CPU

Note the following CLI (Command Line Interface) rules for **online migration** of memory and CPUs while the target partitions are up. Note that because the following applies to only online migration (in other words, where the target partition is up), the following does not apply to the `vparcreate` command, where the target virtual partition should never be up during the `vparcreate` invocation.

- In the same command, you cannot have an online addition and online deletion. For example, the following are **illegal**:

```
— keira1# vparmodify -p keira2 -a cpu::2 -d cpu::1
```

```
— keira1# vparmodify -p keira2 -a mem::1024 -d mem::512
```

You must specify each change on a **separate command line**. For example, the following are **allowed**:

```

— keiral# vparmodify -p keira2 -a cpu::2
keiral# vparmodify -p keira2 -d cpu::1

— keiral# vparmodify -p keira2 -a mem::1024
keiral# vparmodify -p keira2 -d mem::512

```

- In the same command, you cannot make changes to both memory and CPU. For example, the following are **illegal**:
 - keiral# vparmodify -p keira2 -a cpu::2 -a mem::1024

CPU: Deleting CPUs Summary

- The current boot processor can not be deleted from a virtual partition. (Use `vparstatus -v` to determine the current boot processor.) If you wish to delete a specific CPU that is being used as a boot processor by a booted virtual partition, you will need to shutdown the virtual partition and then delete the desired CPU.

CPU: vparstatus

- When a virtual partition is down, the CPUs assigned to that partition are reserved to that partition and cannot be used for other partitions. For example, `vparstatus` does not show any CPU assigned as the boot processor. The boot processor is not assigned until the virtual partition is actually booted.
- If a virtual partition is down and assigned only one CPU, a CPU will be reserved by the vPars Monitor, making it unavailable. The specific CPU reserved is not determined until boot time. As a result, while the virtual partition is down, `vparstatus -A`, which shows available resources, will show all the possible paths of unassigned CPUs but the count of available CPUs will be one less. The count reflects the actual number of available CPUs because one CPU is reserved for the down virtual partition.

CPU: Counts Summary

- At all times, the rule of $\text{min} \leq \text{total} \leq \text{max}$ is enforced.
- When adding by CLP, the total count changes whether the partition is up or down.
- When adding by hardware path, the total count changes only when the partition is up. The total does not change if the specified CPU is already assigned to the partition.
- When adding by hardware path and the partition is down, you cannot have the number of CPUs added by hardware path exceed the current total value.

CPU: Dual-Core Processors

With the PA-8800s and other dual-core processors, there are two CPUs per socket. (On a cell board with four sockets, this allows 8 CPUs per cell board.) The CPUs that share the socket are called *sibling CPUs*.

Splitting sibling CPUs across virtual partitions refers to assigning one sibling CPU to one partition and assigning the other sibling CPU to a different virtual partition. No noticeable performance degradation has been seen when splitting sibling CPUs. Due to items such as the larger L2 cache size, there actually can be a small performance boost if the siblings are split such that one of the virtual partitions has no workload. If you require consistently predictable performance, configure the virtual partitions consistently; in other words, decide whether to split siblings or keep them together, and maintain that policy across all virtual partitions.

Determining If the System Has Dual-Core Processors

You can see the sibling and virtual partition assignment using `vparstatus -d`. If you do not have a dual-core system, the output will show dashes (-) for the sibling and assignment information:

```
# vparstatus -d
CPU
path CPU HPA          Cell Config      Sibling Information
      ID  Status Assigned to      Path /vPar name
=====
0.10  0xfffffffffc078000  0 E      vpuma02          - -
0.11  0xfffffffffc07a000  0 E      vpuma01          - -
0.12  0xfffffffffc07c000  0 E      vpuma04          - -
0.13  0xfffffffffc07e000  0 E      -                - -
...
```

When you do have dual-core system, the `vparstatus -d` output will look similar to the following:

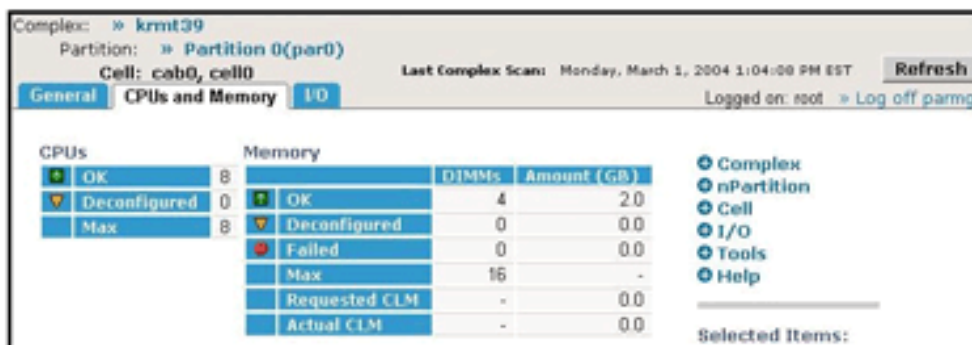
```
# vparstatus -d
CPU
path CPU HPA          Cell Config      Sibling Information
      ID  Status Assigned to      Path /vPar name
=====
0.10  0xfffffffffc070000  0 E      vpkeira1         0.11 vpkeira3
0.11  0xfffffffffc071000  0 E      vpkeira3         0.10 vpkeira1
0.12  0xfffffffffc074000  0 E      -                0.13 vpkeira4
0.13  0xfffffffffc075000  0 E      vpkeira4         0.12 -
0.14  0xfffffffffc078000  0 E      -                0.15 -
0.15  0xfffffffffc079000  0 E      -                0.14 -
...
```

You can also use the `parstatus` command or `parmgr` to determine if you are running dual-core processors. If the maximum number of CPUs per cell is 8, then you are running dual-core processors:

```
# parstatus -c 0
[Cell]

Hardware   Actual   CPU      Memory      Use
Location  Usage   OK/      ( GB)      Core   On
          Max  Deconf/  OK/        Cell  Next  Par
          =====
cab0,cell0 active core 8/0/8    2.0/ 0.0  cab0,bay0,chassis0  yes   yes   0
```

Figure 6-7 Using Partition Manager to Determine Dual-Core Processors



Determining Sibling CPUs

Once you have determined that you have a dual-core system, the siblings have adjacent hardware paths. The first core's path ends in an even number, and its sibling's path ends in the following (odd) number. For example, if the `ioscan` output shows:

```
0/10    processor    Processor
0/11    processor    Processor
0/12    processor    Processor
0/13    processor    Processor
0/14    processor    Processor
0/15    processor    Processor
0/16    processor    Processor
0/17    processor    Processor
```

The hardware paths for the sibling pairs are

```
0/10 and 0/11
0/12 and 0/13
0/14 and 0/15
0/16 and 0/17
```

After vPars is installed, you can also use the vPars Monitor's `scan` command to show hardware paths.

```
MON> scan
```

```
0          CELL          sv_model=172  HPA=0xffffffffc000000  VPAR=ALL
0/0        BUSCONV         sv_model= 12  HPA=0xffffffff802000000  VPAR=ALL
0/0/0      BUS_BRIDGE       sv_model= 10  HPA=0xffffffff801000000  VPAR=vpar1
0/0/1      BUS_BRIDGE       sv_model= 10  HPA=0xffffffff801000200  VPAR=vpar1
0/0/2      BUS_BRIDGE       sv_model= 10  HPA=0xffffffff801000400  VPAR=NONE
0/0/4      BUS_BRIDGE       sv_model= 10  HPA=0xffffffff801000800  VPAR=NONE
0/0/6      BUS_BRIDGE       sv_model= 10  HPA=0xffffffff801000c00  VPAR=NONE
0/0/8      BUS_BRIDGE       sv_model= 10  HPA=0xffffffff801001000  VPAR=vpar4
0/0/10     BUS_BRIDGE       sv_model= 10  HPA=0xffffffff801001400  VPAR=vpar2
0/0/12     BUS_BRIDGE       sv_model= 10  HPA=0xffffffff801001800  VPAR=NONE
0/0/14     BUS_BRIDGE       sv_model= 10  HPA=0xffffffff801001c00  VPAR=vpar3
0/5        MEMORY          sv_model= 9   HPA=0xffffffffc016000  VPAR=ALL
0/10       NPROC            sv_model= 4   HPA=0xffffffffc070000  VPAR=vpar2
0/11       NPROC            sv_model= 4   HPA=0xffffffffc071000  VPAR=vpar3
0/14       NPROC            sv_model= 4   HPA=0xffffffffc078000  VPAR=vpar4
0/15       NPROC            sv_model= 4   HPA=0xffffffffc079000  VPAR=SHARED
1          CELL          sv_model=172  HPA=0xffffffffc080000  VPAR=ALL
1/0        BUSCONV         sv_model= 12  HPA=0xffffffff812000000  VPAR=ALL
1/0/0      BUS_BRIDGE       sv_model= 10  HPA=0xffffffff811000000  VPAR=vpar1
1/0/1      BUS_BRIDGE       sv_model= 10  HPA=0xffffffff811000200  VPAR=vpar1
1/0/2      BUS_BRIDGE       sv_model= 10  HPA=0xffffffff811000400  VPAR=vpar4
1/0/4      BUS_BRIDGE       sv_model= 10  HPA=0xffffffff811000800  VPAR=NONE
1/0/6      BUS_BRIDGE       sv_model= 10  HPA=0xffffffff811000c00  VPAR=vpar2
1/0/8      BUS_BRIDGE       sv_model= 10  HPA=0xffffffff811001000  VPAR=NONE
1/0/10     BUS_BRIDGE       sv_model= 10  HPA=0xffffffff811001400  VPAR=vpar3
```

1/0/12	BUS_BRIDGE	sv_model= 10	HPA=0xffffffff8110018000	VPAR=vpar1
1/0/14	BUS_BRIDGE	sv_model= 10	HPA=0xffffffff811001c000	VPAR=NONE
1/5	MEMORY	sv_model= 9	HPA=0xfffffffffc096000	VPAR=ALL
1/6	IPMI	sv_model=192	HPA=0xffffffffc300c0000	VPAR=ALL
1/10	NPROC	sv_model= 4	HPA=0xfffffffffc0f0000	VPAR=vpar1
1/11	NPROC	sv_model= 4	HPA=0xfffffffffc0f1000	VPAR=SHARED
1/14	NPROC	sv_model= 4	HPA=0xfffffffffc0f8000	VPAR=SHARED
1/15	NPROC	sv_model= 4	HPA=0xfffffffffc0f9000	VPAR=SHARED

where the following CPU pairs are siblings:

- CPU 1/10 (owned by vpar1) and CPU 1/11 (unassigned)
- CPU 0/10 (owned by vpar2) and CPU 0/11 (owned by vpar3)
- CPU 0/14 (owned by vpar4) and CPU 0/15 (unassigned)
- CPU 1/14 (unassigned) and CPU 1/15 (unassigned)

CPU: Hyperthreading ON/OFF (HT ON/OFF)

Hyperthreading is a new feature supported in HP-UX 11i v3 (11.31) environments on servers with the dual core Intel Itanium processors. It provides for executing multiple threads on a single core. This allows multiple hardware threads to share under-utilized resources, increasing overall throughput and performance. Throughput increases are typically achieved by making use of the idle cycles and idle functional units that occur due to memory stalls. For more information on hyperthreading and performance, see the white paper *Dynamic Logical Processors for Hyper-Threading on HP-UX 11i v3* available at <http://docs.hp.com>.

Hyperthreading is supported within vPars A.05.xx environments. However, note the following details.

- HT ON/OFF can be set using any of the following commands.
 - The vPar Monitor's threads command.

The syntax is:

```
threads [on|off]
```

For example:

```
MON> threads
HyperThreading is currently OFF
HyperThreading will be OFF after the next nPar reboot
MON> threads on
HyperThreading is now set to be ON after the next reboot
MON> threads
HyperThreading is currently OFF
HyperThreading will be ON after the next nPar reboot
MON> threads off
HyperThreading is now set to be OFF after the next reboot
```

- The EFI shell's cpuconfig command.

The syntax is:

```
cpuconfig threads [on|off]
```

For a primer on cpuconfig, see "Setting Hyperthreading (HT ON/OFF) and cpuconfig Primer" (page 266).

- The HP-UX shell's parmodify command.

The syntax is:

```
parmodify -T y|n
```

- The HP-UX shell's setboot command.

The syntax is:

```
setboot -m on|off
```

For more information on using or setting HT ON/OFF, see the *nPartition Administrator's Guide*.

- Although hyperthreading is supported within vPars, CPU assignments to virtual partitions remain on a per-core basis and not on a logical CPU (LCPUs) basis.
This means that all the vPars commands for CPUs work the same as they did in vPars A.04.xx, including using the same legacy hardware path format.
- HT ON is not supported in a mixed HP-UX 11i v2/v3 vPars environment or mixed HP-UX 11i v1/v2/v3 vPars environment.
- Turning hyperthreading on or off at the EFI level or vPars Monitor level has nPar wide scope. Individual virtual partitions can use the HP-UX command `lcpu_attr` to turn logical processors on or off within processor sets in a virtual partition. However, if hyperthreading is turned off at the EFI or vPars Monitor level, the `lcpu_attr` command will not have any effect.

CPUs: Managing I/O Interrupts

This section describes information you need if you are managing I/O interrupts on a vPars-enabled system. Note that migrating interrupts should only be done by advanced administrators for performance tuning.

intctl Command

The `intctl` command is a HP-UX tool that allows you to manage I/O interrupts among active CPUs.

For HP-UX 11i v2 and later, the software for `intctl` is part of the Core OS.

For more information, see the *Interrupt Migration Product Note* available at <http://docs.hp.com> or see the `intctl(1M)` manpage.

Notes

- At boot time of a virtual partition, interrupts are processed by all the CPUs in the virtual partition.
- After boot, CPUs that are added to the virtual partition are not assigned to process I/O interrupts. However, you can migrate I/O interrupts to any added CPU using `intctl`.
- After boot, CPUs that are deleted from a virtual partition no longer process I/O interrupts for the partition. When a CPU is deleted from a virtual partition, if the deleted CPU has I/O interrupts, the I/O interrupts are automatically and transparently reassigned to other active CPUs in the partition.



NOTE: Repeatedly adding and deleting CPUs without a reboot of the target virtual partition may cause an imbalance in the interrupt processing load across the CPUs of the virtual partition. However, you can use `intctl` to rectify the imbalance if necessary.

CPU: CPU Monitor (Formerly Known As LPMC Monitor)

The *CPU Monitor* (a part of the diagnostic tool Event Monitor Services (EMS) and not a part of the vPars Monitor) is designed to monitor cache parity errors within the CPUs on the system. With its Dynamic Processor Resilience (DPR), if the CPU Monitor detects a pre-determined number of errors, the CPU Monitor will deactivate a CPU for the current boot session. If the problems are severe enough, the CPU Monitor will deconfigure the socket for the next boot of the system.

Deactivation of a CPU means that the OS will attempt to no longer use the CPU by migrating all threads off the CPU. Deactivation of a CPU is *not* persistent across an OS or system reboot.

Deconfiguration of a socket means that the EMS issues a firmware call, marking the socket for deconfiguration on the next system boot. On the next system boot, none of the cores in the target socket are visible to either the OS in standalone mode or the OS instances of the virtual partitions. The deconfiguration is persistent across system boots.

Note the following two items:

- A deactivation of a CPU does not mean a deconfiguration of its socket. The CPU Monitor is able to determine whether the CPU needs to be deactivated or whether it needs to take further action and deconfigure the socket.
- A reboot of a virtual partition is not the same as a reboot of the system (the entire box or nPartition).

The exceptions to the deactivation of CPUs are the boot processor of each OS instance (the boot processor has a logical instance of zero) and the last CPU in a cell or nPartition. The exception to the deconfiguration of sockets is that the last remaining socket will not be deconfigured (otherwise, the system could not boot).

If any spare iCAP (formerly known as iCOD) or PPU CPUs are available, the necessary number of CPUs will be activated to replace the CPUs deactivated.



NOTE: On a vPars system, when a virtual partition goes down and contains a deconfigured or deactivated CPU, the vPars Monitor will try to decommission the CPU from use and replace it with another good CPU if possible. If this is not possible, the vPars Monitor will not allow the partition to boot until the deconfigured or deactivated CPU can be taken out of use. Following are some cases where the vPars Monitor may not allow the virtual partition to boot:

- There is a deconfigured or deactivated CPU which has been reserved for the partition as part of the total (`cpu : : num`) request and vPars Monitor does not have any free CPUs with which to replace it. To correct this, you can delete CPUs from other partitions or from this partition.
- There is a deconfigured or deactivated CPU that has been bound to the partition by hardware path (`cpu : hw_path`) which the vPars Monitor is not able to replace with another available CPU. To correct this, you can remove the CPU specified by hardware path using `-d cpu : hw_path` to allow the deconfigured or deactivated CPU to be decommissioned and replaced with another (working) CPU.
- There is a deconfigured CPU which has been reserved for the partition as part of a CLP request (`cell : cell_ID : cpu :: num`) and there are no free CLPs in that cell. To correct this, you can make available CPUs from that cell by deleting the CPUs that are part of this cell from other partitions or delete the CPUs from the cell in this partition.

Dual-core processors have two CPUs (that is, cores) per processor. Deactivation happens on a CPU level, but deconfiguration happens at the socket level. If a processor's socket is deconfigured, both CPUs sharing the socket will be unavailable.

(Integrity only) If a CPU is **marked for deconfiguration** using an EFI command and the nPartition is not rebooted (for example, the vPars Monitor is immediately booted), the vPars Monitor will not know or indicate (including with `vparstatus`) that the CPU has been marked for deconfiguration and will use the CPU like any other working CPU.

Memory, CPU: Canceling Pending Operations

Beginning with vPars A.05.01, you can now cancel pending CPU and memory operations with the new `-C SequenceID` option to the `vparmodify` command:

```
# vparmodify -p vp_name -C sequenceID
```

The `sequenceID` value comes from the `vparstatus -v` output.

CPU and memory operations may not occur instantaneously. Therefore, it is possible that you may want to cancel a pending (in other words, still in progress) operation. If a virtual partition has a pending CPU or memory operation, the letter `p` will be displayed in the summary output and the words (Migration pending) will be displayed in `Status:` field of the `vparstatus` output.

In a mixed HP-UX 11i v2/v3 vPars environment or mixed HP-UX 11i v1/v2/v3 vPars environment, the virtual partitions running vPars A.04.xx do not support sequence IDs. If you execute `vparstatus -v` on a vPars A.05.xx partition to get information about a vPars A.04.xx partition, the `SequenceID` will be N/A. In addition, you cannot cancel a pending operation on a vPars A.04.xx partition.

Status: Pending

An operation can only be canceled when `vparstatus` shows a `Status` value of `PENDING` and a `SequenceID`.

```
keiral# vparstatus -p keira2 -v
...
[Resource OL* Details]
Sequence ID: 1234
```

Operation: Memory Addition
Status: PENDING

The following are the valid values for the `Status` : field of the `vparstatus` output:

Table 6-2 Values for the Status field

State	Definition
Pending	The requested operation is pending. When this is the Status value, you can cancel the operation.
Pass	The requested operation has completed successfully.
Fail	The requested operation has encountered an early failure before it started on the target operating system. It will not have a valid <code>SequenceID</code> .
Abort	The requested operation has been aborted by the Operating System on the virtual partition, or by the user explicitly canceling the operation. Refer to the vPars Monitor event log for the cause of the failure.

When the status indicates Fail or Abort, or remains Pending for a long time, you can do the following to get more information on the status:

- Dump the vPars Monitor log using `vparextract -l` and examine the output.
- Run `evmget | evmshow` on the target virtual partition and examine the output pertaining to the `SequenceID`.
- Check the `/var/adm/syslog/syslog.log` file on the target virtual partition.

Online float memory addition or deletion can take significant time or even fail if the target virtual partition is under memory pressure. Use `vmstat` or other virtual memory monitoring tools to check the memory pressure on the target partition. In particular, if you are deleting float memory, make sure the target virtual partitions is not under memory pressure.

Cancel Pending Usage

To use the cancel pending feature:

1. Determine which vPar has the pending operation, and acquire the `sequencelD`.

- **If necessary, use `vparstatus` to determine which vPar has the pending operation.** For example:

```
keiral# vparstatus
...
[Resource OL* Details]
[Virtual Partition Resource Summary]
```

Virtual Partition Name	# User Ranges/MB	Total MB	# User Ranges/MB	Total MB
keiral	0/ 0	2560	0/ 0	0
keira2	1/ 128	4352p	1/ 128	640p
keira3	0/ 0	1224	0/ 0	0

The `vparstatus` output shows that a pending online addition of memory is occurring on `keira2`.

- **Use the `vparstatus -v` option to acquire the `sequencelD`.** For example:

```
keiral# vparstatus -p keira2 -v
...
[Resource OL* Details]
Sequence ID: 1234
Operation: Memory Addition
Status: PENDING
```

The `vparstatus` output shows that a pending online addition of memory has been assigned the `sequenceID` of 1234.

2. **To cancel this pending operation, use the `-C sequenceID` option of the `vparmodify` command.** For example:

```
keiral# vparmodify -p keira2 -C 1234
```



NOTE:

- For a given virtual partition, the vPars memory and CPU online modification requests (`vparmodify`) are processed serially; in other words, *a subsequent operation on the **same** virtual partition cannot begin until the current modification has been successfully completed or canceled.*

When using the `-C sequenceID` operation, you can cancel only the current (pending) operation.

Note that *operations on **different** virtual partitions can be canceled* because the `sequenceID` is unique within each virtual partition.

- An operation consists of the entire command line of the modification requests, including all options. You cannot cancel a portion of a command.
 - The `OL* Details` show N/A if there have been no CPU or memory `OL*` operations performed since the virtual partition was booted. Operations that are not related to virtual partitions (such as processor sets) are not represented in `vparstatus` output.
-

7 CPU, Memory, and I/O Resources (A.04.xx)

Managing Hardware Resources

- I/O Allocation (Adding or Deleting I/O Resources)
- Memory Allocation (Firmware Configuration and Adding or Deleting Memory Resources)
- CPU Allocation (Adding or Deleting CPU Resources)
- Using iCAP (formerly known as iCOD) with vPars
- CPU Monitor (deallocation and deconfiguration)



NOTE: Some examples in this chapter may use a non-nPartitionable system where there is no cell in the hardware path. If using an nPartitionable system you must include the cell in the hardware path; for details see “Planning, Installing, and Using vPars with an nPartitionable Server” (page 49).

I/O: Concepts

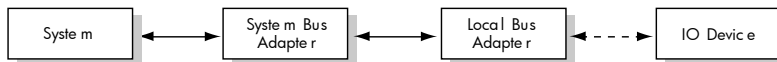
Acronyms

LBA Local Bus Adapter
SBA System Bus Adapter

System, Cells, SBA, LBA, Devices and Relationships

On a server, an I/O device communicates to the system through the LBA and SBA. The path looks like Figure 7-1.

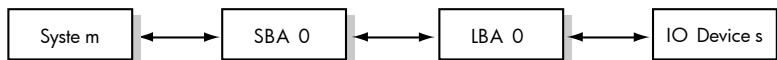
Figure 7-1 System to I/O Device Relationship



This corresponds to the `ioscan` hardware path output for an I/O device of `sba/lba/.../device`.

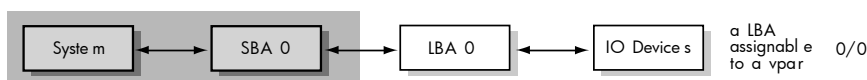
A LBA actually owns all the devices attached to it. In the example below, all the I/O devices attached to LBA 0 are owned by LBA 0, and the hardware paths of those I/O devices begin with 0/0 (sba/lba). (Cells are discussed later and would change the hardware path to `cell_ID/sba/lba`.)

Figure 7-2 LBA Owns Multiple I/O Devices



It is at the LBA level where vPars assigns I/O. In the example below, this means that LBA 0 can be assigned to at most one virtual partition. If LBA 0 is assigned to `vparN`, it is implied that all I/O devices attached to LBA 0 are assigned to `vparN`.

Figure 7-3 vPars Allocates I/O at the LBA Level



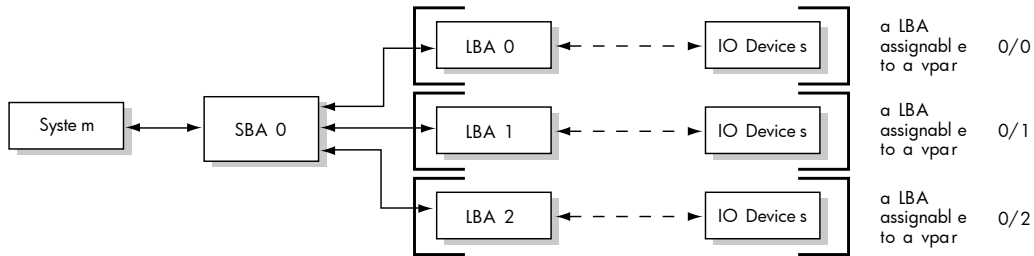
A SBA has multiple LBAs attached to it; it is a hierarchical relationship. Nevertheless, assignments in vPars remain at the LBA level, and each LBA can be assigned to a different virtual partition.



NOTE: Regarding syntax and how vPars commands interpret what is specified on the command line, see “I/O: Allocation Notes” (page 217). Even if there are shortcuts in assigning LBAs, vPars assigns per LBA.

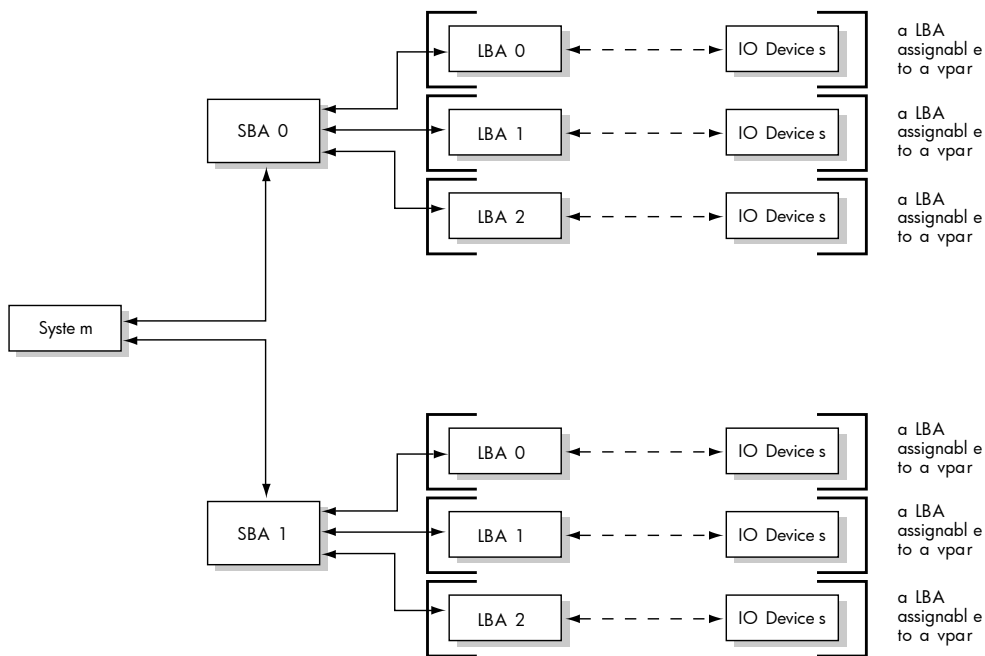
In the example below, each LBA (shown in brackets) can be assigned to a different virtual partition.

Figure 7-4 vPars Allocates at LBA Level not SBA Level



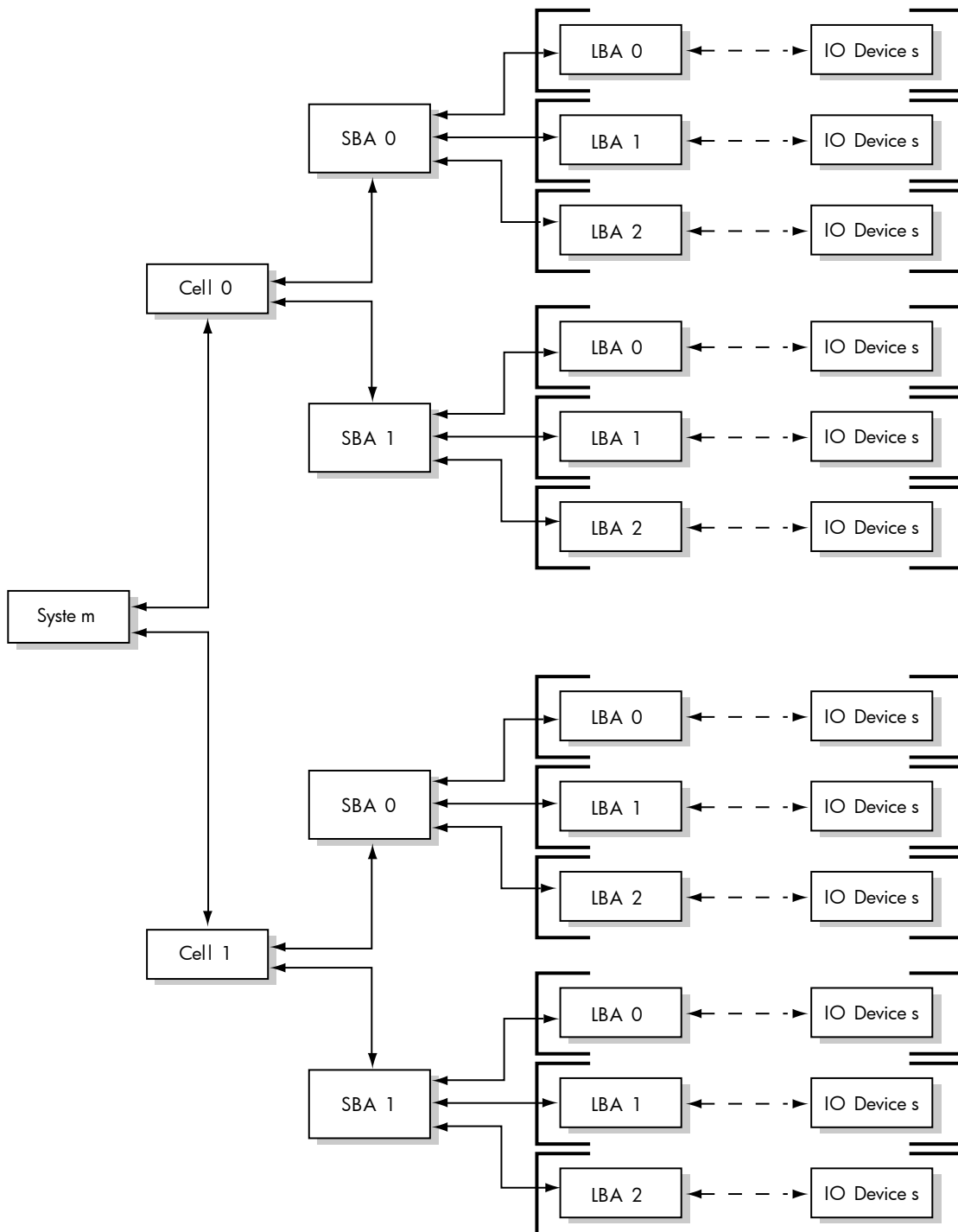
A system has multiple SBAs, but assignments remain at the LBA levels.

Figure 7-5 vPars Allocates at LBA Level not SBA Level



With the addition of cells (an nPartitionable server), there are more SBAs, but I/O assignments remain at the LBA level:

Figure 7-6 vPars Allocates at LBA Level not Cell Level



I/O: Adding or Deleting LBAs

I/O Syntax in Brief

The basic core syntax for adding or deleting I/O resources is:

`-a|d io:hardware_path`

where:

`-a` is adding

`-d` is deleting

`hardware_path` is the hardware path of the I/O

Examples

- To add all hardware using the SBA/LBA hardware path of 1/2 to an existing partition winona2:
winona1# vparmodify -p winona2 -a io:1.2
- To remove all hardware with SBA/LBA 1/2 from partition winona2:
winona1# vparmodify -p winona2 -d io:1.2



NOTE: The virtual partition must be in the down state to add or delete I/O resources.

I/O: Allocation Notes

When planning or performing I/O allocation, note the following:

- **An LBA can be assigned to at most one virtual partition at any given time.** When you are planning your I/O to virtual partition assignments, note that only one virtual partition may own any hardware at or below the LBA (Local Bus Adapter) level. In other words, **hardware at or below the LBA level must be in the same virtual partition.**

Example Looking at the `ioscan` output of a rp7400/N4000, the two internal disk slots use the same LBA:

```
0/0          ba          Local PCI Bus Adapter (782)
0/0/2/0      ext_bus     SCSI C875 Ultra Wide Single-Ended
0/0/2/1      ext_bus     SCSI C875 Ultra Wide Single-Ended
```

Therefore, you *cannot* assign one of the internal disks to partition `vpar1` and the other internal disk to partition `vpar2`; these disks must reside in the same partition.

- **Syntax Notes** When specifying only the SBA on the command-line, the vPars commands will assume the change applies to all LBAs under the specified SBA.

The exception are boot disks; **boot disks are specified using the full hardware path.**



NOTE: When assigning I/O, if you specify a path below the LBA level (for example, `cell/sba/lba/.../device`, vPars automatically assign the LBA to the virtual partition. For example, if you specify `-a io:0/0/0/2/0.6.0` where `0/0/0` is the `cell/sba/lba`, the `lba` of `0/0/0` is assigned to the virtual partition. Further, this LBA assignment implies that all devices using `0/0/0` are assigned to the virtual partition.

The assignment rules of LBAs remain applicable: the LBA can only be owned by one virtual partition. For example, once the LBA at `0/0/0` is assigned to one virtual partition, it cannot be simultaneously assigned to any other virtual partition. Thus, if the device at `0/0/0/2/0.6.0` is assigned to a virtual partition, the LBA at `0/0/0` is assigned to that virtual partition, so the device at `0/0/0/2/0.6.0` cannot be assigned to a different virtual partition.

LBA Example

The `vparcreate` command on a non-nPartitionable system looks like:

```
#vparcreate -p vpar1 -a cpu:::1 -a cpu:::1 -a mem:::1024 -a io:0.0 -a
io:0.0.2.0.6.0:BOOT
```

where the I/O assignment is specified using the LBA level (`-a io:0.0`) and the boot disk is specified using the full hardware path (`-a io:0.0.2.0.6.0`).

For an nPartitionable system, the `vparcreate` command would look like:

```
# vparcreate -p vpar1 -a cpu:::1 -a cpu:::1 -a mem:::1024 -a io:0.0.0 \
-a io:0.0.0.2.0.6.0:BOOT
```

where the I/O assignment is specified using the LBA level (`-a io:0.0.0`) and the boot disk is specified using the full hardware path (`-a io:0.0.0.2.0.6.0`).

For information on using the LBA level on nPartitionable systems, also see “Planning, Installing, and Using vPars with an nPartitionable Server” (page 49).

- **SBA/LBA versus cell/SBA/LBA** When viewing hardware paths, note the following:
 1. The explicit specification of an LBA on a non-nPartitionable system consists of two fields: `sba/lba`
 2. The explicit specification of an LBA on an nPartitionable system consists of three fields: `cell/sba/lba`
 3. With A.04.xx, all LBAs under a SBA are implied when explicitly specifying a SBA without specifying any LBA. Therefore, the path specified on a command line can have

different meanings depending upon the vPars version, the type of server, and the user intent. For example, the path of *x/y* can mean *any* of the following:

- *sba=x, lba=y* on a non-nPartitionable server running vPars A.03.01 or earlier
- *sba=x, lba=y* on a non-nPartitionable server running vPars A.03.02 or later or A.04.xx
- *cell=x, sba=y* on an nPartitionable server running vPars A.03.02 or later or A.04.xx

- **Supported I/O** Check your hardware manual to verify that your mass storage unit can be used as a bootable device. If a mass storage unit cannot be used as a boot disk on a non-vPars server, it cannot be used as a boot disk on a vPars server. vPars does not add any additional capability to the hardware.

For information on supported I/O interface cards and configurations, see the document *HP-UX Virtual Partitions Ordering and Configuration Guide*.

Memory: Concepts and Functionality

Acronyms

ILM Interleaved Memory.

- The nPartition's system default is to have all memory configured as ILM.
- vPars A.03.xx and A.02.xx use and assign only ILM; vPars A.04.xx allows use of ILM and CLM.

CLM Cell Local Memory.

- Using nPartition commands, you can re-configure a portion of a cell's memory as CLM. Beginning with vPars A.04.01, you can assign an amount of available CLM to a virtual partition.
- This capability should be used only if you are an advanced administrator. Further, CLM is meant to be used in conjunction with CLP (cell local processor); not doing so may actually cause performance degradation.

Assignments

You assign memory to a virtual partition:

- by size
this uses the nPartition's ILM.
- by cell and a corresponding size
this uses the specified cell's CLM.

Within the available nPartition's ILM or cell's CLM, you can also:

- specify an address range to use

This does not increase the amount of memory assigned to the virtual partition. The address range is a specific subset of the existing ILM or CLM amount assigned to the virtual partition. Therefore, the total amount of memory specified by ILM or CLM addresses cannot exceed the amount of ILM and CLM assigned to the virtual partition.



NOTE: The virtual partition must be in the down state to add or delete memory resources.

Granularity

Granularity refers to the unit size in which memory is assigned to the all virtual partitions in a given vPars database (vpdb). You should be careful when using the granularity option; using the granularity option incorrectly can cause all the virtual partitions to not be bootable. For information, see "Memory: Granularity Concepts" (page 222).

Memory: Assigning by Size (ILM)

Assigning memory by specifying only size uses ILM memory. ILM memory is the only type of memory used in vPars A.03.xx and earlier. vPars A.04.xx and later can use either ILM or CLM memory.

Syntax

The basic syntax for adding or deleting ILM resources assigned to a virtual partition is:

```
- [a|d] mem::size
```

where:

-a is adding

-d is deleting

size is the quantity of ILM in MBs

Examples

- To create the virtual partition winona2 with 1024 MB of ILM:
winona1# vparcreate -p winona2 -a mem::1024
- To add 1024 MB of ILM to an existing partition winona2:
winona1# vparmodify -p winona2 -a mem::1024
- To decrease the amount of ILM assigned to partition winona2 by 1024 MB:
winona1# vparmodify -p winona2 -d mem::1024



NOTE: Although not an error, the size of ILM assigned should be a multiple of the granularity value. See also “Memory: Assigning by Size (CLM)” (page 219).

Memory: Assigning by Size (CLM)

Before assigning CLM, see the section on configuring CLM: “Configuring CLM for an nPartition” (page 272). Once CLM is configured, you can assign an amount of CLM to a virtual partition,

The syntax to assign an amount of CLM is:

```
-a|d cell:cell_ID:mem::size
```

where:

-a is adding

-d is deleting

cell_ID is the cell number

size is the quantity of memory in MBs

Example

- To add 1024 MB of memory from cell 6 (at least 1024 MB must already be configured as CLM) to the existing partition keira2:
keira1# vparmodify -p keira2 -a cell:6:mem::1024
- You can set both ILM and CLM memory on the same partition. To assign 1024 MB of available CLM and 1024 MB of available ILM to keira2:
keira1# vparmodify -p keira2 -a cell:6:mem::1024 -a mem::1024



NOTE: Assigning ILM or CLM memory by size only reserves the *amount* of physical memory the virtual partition gets. The exact physical ranges of memory the virtual partition gets is decided by the vPars Monitor when the virtual partition boots. The vPars Monitor will attempt to pick the memory ranges such that the sum of the ranges add up to the amount of ILM and CLM reserved for the partition. However, due to memory fragmentation, which occurs due to memory already taken by the vPars Monitor, firmware, or bad pages, the sum of the ranges picked by the vPars Monitor may be slightly less than or more than the specified amount reserved for the partition.

Memory: Specifying Address Range

Within the already allocated memory sizes, you can specify the memory address ranges using the `mem::base:range` syntax. However, this is not recommended unless you are familiar with using memory addresses. For PA-RISC systems, you should also be familiar with the requirement that all HP-UX kernels fit within 2 GB of memory, as described in “2 GB Restriction (PA-RISC only)” (page 221).

For usage information, see the `vparmodify(1M)` manpage. You should select your `base:range` after consulting `vparstatus -A` to determine which ranges are available.



CAUTION: Normally, ranges are granule-aligned (in other words, the starting address and the ending address of the range is a multiple of a granule). However, due to memory fragmentation, some of the ranges may not be granule-aligned. It is not recommended to assign such nongranule-aligned ranges as user-specified ranges (`mem::base:range`). Further, future vPars releases may not support specifying ranges that are not aligned to a granule and may return an error when such ranges are assigned to a virtual partition.



NOTE:

- Specifying an address range does not increase the amount of memory assigned to the partition. Rather, it only specifies addresses to use for the already allocated memory sizes. Therefore, all specified ranges cannot exceed the total allocated memory for the virtual partition. In other words, the sum of the ILM- or CLM-specified ranges cannot exceed the total amount of ILM or CLM memory reserved for the virtual partition.
- (vPars A.04.xx) Address ranges are unique within a given virtual partition. Therefore, specifying `base:range` (and not a `cell_ID`) is sufficient for using an address range within CLM. You can use `vparstatus -A` to list the available ranges and whether the ranges are a part of ILM or CLM. Further, if the range is within CLM, `vparstatus -A` also lists to which cell the range belongs.

2 GB Restriction (PA-RISC only)

When ranges are specified for the entire memory owned by a partition, you should ensure that at least one of the ranges is below 2 GB and is large enough to accommodate the kernel for that partition. However, other partitions also require memory below 2 GB for their kernels. Hence, you also should ensure that the specified range below 2 GB is not so large such as to preclude memory below 2 GB for the other partitions.

In general terms, the sum of the size of the kernels must be < 2 GB. To calculate the kernel sizes, see “Calculating the Size of Kernels in Memory (PA-RISC only)” (page 313).



CAUTION: Not allowing enough memory for the other partitions will cause the other partitions to not boot. You can boot the partition by freeing up enough memory for the partition to boot, such as by shutting down an active partition.

If no memory ranges are below 2 GBs for a given partition, the partition will not boot.

If you use the defaults of the dynamic tunables, you will not run into the 2 GB limit. However, if you have adjusted the dynamic tunables, it is possible to run beyond the 2 GB boundary. For more information on adjusting the kernel size with dynamic tunables, see the white paper *Dynamically Tunable Kernel Parameters* at <http://docs.hp.com>.

Memory: Granularity Concepts

Granularity refers to the unit size in which memory is assigned to all virtual partitions in a given vPars database (vpdb). Granularity reflects only the unit size of memory and not the amount of memory that is assigned.

This section briefly covers configuring memory granularity.

The default granularity is 128 MB for ILM and 128 MB for CLM. However, you can specify your own granularity for CLM and/or ILM. Granularity has some specific restrictions and cannot be changed in a vPars database after they are set. Be sure to read the **CAUTION** portion in the next section.

Granularity Value Locations

Integrity Systems. There are two areas where granularity values are set:

1. The nPartition firmware, specifically the EFI variables in NVRAM (non-volatile RAM).
2. The vPars database.

In order for the virtual partitions in the vPars database to be able to boot, the granularity values in the vPars database must match the granularity values in the firmware.

On Integrity systems, memory is divided into the granules by the firmware; therefore, it is required that you set and match the corresponding EFI variables.

PA-RISC systems. There is only one area where granularity values are set: the vPars database.

For PA-RISC, there are no granularity values in the PA-RISC firmware. The memory is divided into the granules by the vPars Monitor itself. Note that this means the update firmware option ([:y]) of `vparcreate` is ignored on PA-RISC.

Granularity Issues (Integrity and PA-RISC)



CAUTION: (`vparcreate` only) When you specify the granularity value for only one type of memory (ILM or CLM), the granularity value for the other type of memory is set using the default granularity value. For example, if you specify only `-g ILM:256`, the `-g CLM:128` is implied where 128 is the vPars default granularity value.

If your system (or nPartition) contains a large amount of memory (32 GB or more), you should set the granularity value to the largest amount possible to reduce the total boot time (relative to boot time in nPars/standalone) caused by the initial hardware scanning of memory. For CLM on PA-RISC platforms and for both ILM and CLM on Integrity platforms, you should choose the largest possible granularity value.

However, you should be careful when using the granularity option; using the option incorrectly can cause all the virtual partitions to not be bootable.

Further, granularity in the vPars database can only be specified during the creation of the vPars database. This means the first `vparcreate` command performed to create the database can be used to specify the granularity, but it cannot be changed after that. It cannot be changed by subsequent `vparcreate` commands nor any other commands; any change in values requires the entire vPars database to be re-created. Therefore, read this section thoroughly.

For details on granularity values and granularity limitations, see the `vparresources(5)` manpage. The granularity section of this manpage is provided below since there are critical notes in the manpage of which you should know when planning a granularity value. These include:

- The minimum value for granularity of both ILM and CLM is 64 MB.
- The chosen granularity value(s) must be an integral power of 2 (in other words, 2^X).
- (Integrity only) There is a limit on the number of CLM granules per cell and total ILM granules you can set. Use the `vparsenv` command to see the maximum possible granules for ILM and CLM for your specific system. For example:

```
# vparenv
vparenv: The next boot mode setting is "vPars".
vparenv: The ILM granule size setting is 128.
vparenv: The CLM granule size setting is 128.
vparenv: Note: Any changes in the above settings will become effective
only after the next system reboot.
vparenv: Note: The maximum possible CLM granules per cell is 64.
vparenv: Note: The maximum possible ILM granules for this system is 1024.
```

If either of these values are exceeded when you set your granularity values, the vPars Monitor will not boot any virtual partitions. You must rebuild your vPars database such that the number of granules related to both ILM and CLM do not exceed the numbers in your `vparsenv` output.

- (PA-RISC only) Excluding the first granule, a portion of which is used by the vPars Monitor, there must be at least one entire granule that exists below the 2 GB limit for each virtual partition. These granules below the 2 GB limit are used by kernel of each virtual partition.
- Especially for nPartitions or systems containing 32 GB or more of total memory, you should set the granule to the highest possible granule size to reduce the time in scanning the memory during the initial hardware boot.
- (Integrity only) In order for the virtual partitions in an active database to be able to boot, the granularity values in the vPars database must match those written in the system firmware.

Granularity described in `vparresources(5)`

For reference, below is the granularity section of the manpage `vparresources(5)`:

Granularity

Memory is normally assigned to vPars in units called granules. Exceptions are described below. The granule values for CLM and ILM can be different. However, both are subject to the following rules:

- + MOST IMPORTANT, READ CAREFULLY. Granularity, the value of a granule specification, is not a resource. Resource assignments can be modified, even if some resource modifications require that a vPar be Down. Granularity can only be specified when creating a new database. It cannot be changed thereafter.
- + **The minimum values (ILM and CLM) are 64 MB.**
- + The default values are 128 MB.
- + **The recommended specifications are described below.**
- + **Any chosen granularity must be an integral power of 2**, not just a multiple of 64. For example, 256 is a legal value, but 192 is not.
- + Although a granularity must be an integral power of 2, memory can be assigned in any multiple of that value. For example, if the CLM granularity is 128 MB, it is legal to assign 384 MB of CLM to a vPar.
- + Integrity systems have a **platform-dependent limit to the number of CLM granules per cell or ILM granules** that may be configured. You can determine specific limits for your installation by using the `vparsenv` command and examining the "The maximum possible xLM granules..." messages. Note: When in nPar mode, the `vparsenv` command does not display the "The maximum possible xLM granules..." messages if the next boot mode setting is nPars. So in order to get these values, you have to first change the next boot mode setting to vPars (reboot not required) and then invoke the `vparsenv` command. These values, combined with your total memory of each type, determine the minimum granularities you should specify in order to allow your vPars to boot. For example, if you are allowed 1024 ILM granules and your total memory is ≤ 128 GB, you can use the default ILM granularity of 128 MB. Or if you are allowed 16 CLM granules per cell, and your nPar configuration includes two cells each configured with 8 GB of CLM, your CLM granularity must be ≥ 512 MB.

If the total ILM memory or CLM memory per cell exceeds that which can be configured in the maximum number of granules using your specified granularity, the vPar Monitor will not boot any vPar. In this case, you must increase one or both granularities appropriately so that all available memory can be accommodated. This will require a complete reconfiguration of your database. Careful configuration planning will avoid this situation.

Granularity limitations do not apply to PA-RISC platforms. However, there are guidelines that do apply to both PA-RISC and Integrity systems. These are described next.

- + **Recommendations for ILM and CLM granularity specifications:**

On PA-RISC platforms, each vPar needs ILM below 2 GB to load and launch its kernel. However, portions of the first granule (starting at address 0) are used for the Monitor's code and data, therefore will not be used for the kernel. **Hence, excluding the first granule, there should be at least one granule below 2 GB for each partition.** So if ILM granularity is 128 MB, the first 2 GB will consist of 16 granules. Therefore, it will be possible

to load and launch the maximum supported 8 vPars. If ILM granularity is 256 MB, there are only 8 granules in the first 2 GB. The Monitor uses portions of the first one. So it will only be possible to load and launch 7 or fewer vPars. On an Integrity server, there is no similar constraint on the maximum ILM granularity.

For CLM on PA-RISC platforms, and for both ILM and CLM on Integrity systems, **Hewlett-Packard recommends choosing the largest possible granularity for performance reasons.** The granularity can be such that it is equal to the partition with the least amount of that memory type. For example, if the system contains 64 GB of ILM and the smallest ILM specification of any vPar is 1 GB, then ILM granularity can be 1 GB. If the system contains 64 GB of CLM per cell and the smallest CLM specification from any cell of any vPar is 4 GB, the CLM granularity can be 4 GB.

- + **For an Integrity server, the chosen granularity values must also be written to system firmware storage.** When the Monitor is started and a vPar database is loaded, the values in the database must match those in firmware, or the Monitor will not allow the database to be used.

While in nPars mode, you should use the `vparstatus` and `vparsenv` commands to verify that the database and firmware granularities are identical. If not, you must either create a new database with the correct granularities using the `vparcreate -g` command, or change the firmware granularities with the `vparsenv -g` command.

Although memory is normally allocated in integral granules, some memory ranges are withheld for use by the Monitor or by firmware. The `vparstatus -m` command displays these ranges. Other ranges of address space are simply non-existent. Because of this fragmentation, the Monitor may assign your vPar slightly more or less than an integral granule of memory when the vPar boots.

Memory: Choosing a Granularity Value and Boot Time (Integrity)

During the boot process of HP-UX on Integrity vPars, the time it takes to obtain the memory layout information for the nPartition is relative to the **number of memory granules** configured for the nPartition. The number of granules is dependent upon the granularity value:

$$\text{number_of_granules} = \text{total_physical_memory_in_nPartition} / \text{granularity_value}$$

If the granularity value is too small, the number of granules will be too high and processing all the granules during boot up may take a long time.

On Integrity systems, it is important to choose an appropriate granularity value that does not cause slow boot times because changing a granularity value requires rebooting the entire nPartition as well as recreating the vPars database.

The Goal

The goal to avoid slow boot times is to have the number of granules to be close to 50. Any quantity up to 100 will show reasonable boot times, but HP recommends **a value close to 50.**

Example 1

If the total physical memory in the nPartition is 12 GB, then the granularity value should be 256 MB:

12 GB / 256 MB => ~50 granules

Example 2

If the total physical memory is 100 GB, then the granularity value should be 2 GB:

$100 \text{ GB} / 2 \text{ GB} \Rightarrow 50 \text{ granules}$

Note that as seen in “Granularity Issues (Integrity and PA-RISC)” (page 223) and in the *vparresources(5)* manpage, memory is allocated to a virtual partition as a multiple of the granularity value. In this example, given a granularity value of 2 GB, this means that *every* virtual partition will have at least 2 GB (1 multiple) allocated to it. Further, this means that any memory assigned between the multiples will be rounded up to the next multiple. For example, if you attempt to assign 3 GB of memory to a virtual partition, this actual memory allocated will be rounded up to the next granularity multiple, in this case, of 4 GB.

If having each virtual partition allocated with at least 2 GB of memory is not desired, then you must chose a granularity value that is less than 2 GB, noting that this will cause the number of granules to be higher than 50 and therefore increase boot time.



NOTE:

PA-RISC Due to PA-RISC and Integrity architectural differences, the way memory is presented to HP-UX on PA-RISC systems is different than on Integrity systems, so PA-RISC systems do not encounter this slow boot issue.

Memory: Setting the Granularity Values (Integrity)

Syntax

The syntax for setting granularity unit size is:

```
-g ILM|CLM:unit[:y|n]
```

where:

-g is granularity

ILM|CLM specifies whether the unit size is applied to ILM or CLM

unit is the granularity unit size in MBs

This value must be an integral power of 2 (in other words, 2^X) and be greater than or equal to 64.

y|n specifies whether the granularity unit size should be written to firmware. The default is n.

(vparcreate only; Integrity only)

The default granularity is 128 MB for ILM and 128 MB for CLM.

Commands

There are two commands that can set the granularity values: `vparenv` and `vparcreate`. Both are available at the HP-UX shell level and use the `-g` option:

1. **vparenv -g ...**

writes the granularity values to the firmware only. Note that `vparenv` is applicable only on Integrity.

2. **vparcreate -g ...**

writes the granularity values to the vPars database and also can (using the update firmware option `[:y]`) write these values to firmware.

vparenv

```
# vparenv -g ILM|CLM:unit
```

writes the *unit* granularity value to firmware. This takes effect for the nPartition on the next nPartition boot. For example, to set the granularity unit size in firmware for ILM to 512 MB and for CLM to 256 MB:

```
# vparenv -g ILM:512 -g CLM:256
```

Note that this does not set the granularity value in the vPars database. Only `vparcreate` sets the granularity value in the vPars database.



CAUTION: The granularity values in firmware *must match* those in the vPars database used during the next boot of the vPars Monitor. If the granularity values in firmware do not match those in the vPars database, the virtual partitions of that database will not boot.

vparcreate

```
# vparcreate -p vpar1_name [-g ILM:unit[:y]] [-g CLM:unit[:y]]
```

If you specify the above command *without* the `:y`, `vparcreate` writes the *unit* granularity value to only the vPars database; it does not write the value to firmware.

If you specify the above command *with* the `:y`, `vparcreate` writes the *unit* granularity value to both the vPars database and to firmware.

When using this method, note that the `-g` option must be performed when creating the vPars database (in other words, when performing the initial `vparcreate` command). If you choose not to set a value, or if you set the value incorrectly using the initial `vparcreate` command, you cannot adjust it later. You must re-create the vPars database.

Usage Scenarios

`vparcreate` **with the `:y` option** The following scenario is where you would want to use `vparcreate` with the `-g` option and the `:y` specification:

1. In nPars mode, you create your first virtual partition with a 256 MB granularity value for ILM. The command is:

```
# vparcreate -g ILM:256:y -p keiral ...
```
2. This writes the ILM granularity value to both the vPars database and to firmware. Since the default CLM granularity value is 128, this also writes the CLM granularity value of 128 to both the vPars database and to firmware. Because the values in both the vPars database and firmware match, you can boot this vPars database immediately after setting the nPartition for vPars mode and rebooting the nPartition.

```
# vparenv -m vPars 1  
# shutdown -r 2
```

1 Set the mode for the next nPartition reboot.

2 Reboot the system.

`vparcreate` **without the `:y` option and `vparenv`** The following scenario is where you would want to use `vparcreate` with the `-g` option but without the `:y` specification. It also shows where you need to use `vparenv` to set the granularity value in the firmware. Note that this scenario would only occur on Integrity systems.

1. You are in a vPars environment, running the default vPars database of `/stand/vpdb` that uses the 128 MB granularity values for ILM and CLM. Because the virtual partitions have been booted successfully, this means that the current firmware has granularity values of 128 MB.
2. You create an alternate database `/stand/vpdb.alt` with a granularity value of 512 MB for ILM and 256 MB for CLM.

```
# vparcreate -D /stand/vpdb.alt -g ILM:512 -g CLM:256 -p keiral ...
```
3. This writes the granularity value to the vPars database but not to firmware, which allows you to continue using the active vPars database `/stand/vpdb` with its 128 MB granularity value.

When you wish to load `/stand/vpdb.alt`, then you can set the granularity value in firmware using `vparenv`, reboot the nPartition, and load the alternate database.

```
# vparenv -g ILM:512 -g CLM:256 1  
  
MON> reboot 2  
...  
HPUX> boot vpmmon -D /stand/vpdb.alt 3
```

1 Set the granularity value in firmware.

2 Reboot the nPartition.

3 Load the alternate vPars database.

Memory: Setting the Granularity Values (PA-RISC)

Syntax

The syntax for setting granularity unit size is:

```
-g ILM|CLM:unit[:y|n]
```

where:

-g is granularity

ILM|CLM specifies whether the unit size is applied to ILM or CLM

unit is the granularity unit size in MBs

This value must be an integral power of 2 (in other words, 2^X) and be greater than or equal to 64.

y|n specifies whether the granularity unit size should be written to firmware. The default is n. Ignored on PA-RISC.

The default granularity is 128 MB for ILM and 128 MB for CLM.

Commands

There is only one command that can set the granularity values: the **vparcreate** command with the -g option:

1. `vparcreate -g ...`

`vparcreate` writes the granularity values to the vPars database; the update firmware option ([:y]) is extraneous and is ignored on PA-RISC.

vparcreate

```
# vparcreate -p vpar1_name [-g ILM:unit] [-g CLM:unit]
```

writes the *unit* granularity value to the vPars database when the first virtual partition for a given vPars database is created.

When using this method, note that the -g option must be performed when creating the vPars database (in other words, when performing the initial `vparcreate` command). If you set the value incorrectly using the initial `vparcreate` command, you cannot adjust it later. You must re-create the vPars database.

Usage Scenario

In standalone mode, you create your first virtual partition with a 256 MB granularity value for both ILM and CLM. The command is:

```
# vparcreate -g ILM:256 -g CLM:256 -p keir1 ...
```

This writes the granularity values to the vPars database.

Note that with the `vparcreate` command, when you specify the granularity value for only one type of memory (ILM or CLM), the granularity value for the other type of memory is set using the default granularity value. For example, if you specify only `-g ILM:256`, the `-g CLM:128` is implied where 128 is the vPars default granularity value.

Memory: Allocation Notes

- The default memory assigned to a virtual partition is 0 MB, so you need to specify enough memory for your applications and the operating system. While there is no specific minimum base memory requirement per vpar, the HPUX kernel does require a certain amount of base memory to boot successfully. For this reason, we currently recommend that 1 GB of base memory is assigned per vpar. The more base memory a virtual partition has, the better the performance will be. This is especially true of applications that require large amounts of locked memory. See the *Installation and Update Guide* for your OS and the *nPartition Administrator's Guide* for your server.
- The unit for the specified size of memory for the vPars commands is megabytes; `parmodify` uses gigabytes.
- Memory is allocated in multiples of 128 MB by default. Memory assignments are also rounded up (to the next highest granule boundary).

CPU



NOTE:

Processor Terminology Processing resources under vPars, both as input arguments and command outputs, are described as “CPUs.” For multi-core processors such as the PA-8800 and dual-core Intel Itanium processors, the term “CPU” is synonymous with “core.” The term “processor” refers to the hardware component that plugs into a processor socket. Therefore a single processor can have more than one core, and vPars commands will refer to the separate cores as distinct “CPUs,” each with its own hardware path.

Two vPars terms pre-date multi-core processors, so they are exceptions to this terminology:

- “Boot processor,” which refers to the CPU (that is, core) on which the OS kernel of the virtual partition was booted.
- “Cell local processor (CLP),” which refers to a CPU (core) on a specified cell.

For more information on dual-core processors, see “CPU: Dual-Core Processors” (page 240).

CPU migration refers to adding CPUs to and deleting CPUs from a virtual partition. *Dynamic CPU migration* refers to migrating CPUs while the target virtual partition is running. vPars allows the assignment of most CPUs while the virtual partitions are running.

For **vPars A.04.01** and later, the two types of CPUs are Boot Processor and dynamic CPUs. This discussion begins at “CPU: Boot Processor and Dynamic CPU Definitions” (page 231). The bound and unbound CPU types in vPars A.03.xx and earlier no longer apply.

For additional information on using iCAP (formerly known as iCOD), including temporary-iCAP CPUs with vPars, see “CPU: Using iCAP (Instant Capacity on Demand) with vPars (vPars A.04.xx and iCAP B.07)” (page 237).



NOTE:

Using vPars A.03.xx and Earlier Syntax on a vPars A.04.xx System Although not recommended under most circumstances, you can still use the vPars A.03.xx CPU syntax on vPars A.04.xx systems. However, the concepts and rules of boot processors and dynamic CPUs in A.04.xx will apply because the concepts and rules of bound and unbound CPUs in A.03.xx no longer apply.

For more information, see “CPU: Syntax, Rules, and Notes” (page 236).

CPU: Boot Processor and Dynamic CPU Definitions

Beginning with vPars A.04.01, the restrictions of bound CPUs have been removed as well as the terms bound and unbound. Now, there are two types of CPUs: boot processors and dynamic CPUs.

The **Boot Processor** is the CPU on which the OS kernel of the virtual partition was booted. There is one boot processor per virtual partition. On booting of a virtual partition, the vPars Monitor determines which CPU becomes the boot processor. Note that the specific CPU chosen as the boot processor may differ across virtual partition reboots.

Dynamic CPUs are all the other CPUs, because all CPUs, except the boot processor of each virtual partition, can be dynamically migrated. You can find which CPU is the boot processor by using the `vparstatus` command; see “[Commands: Displaying vPars Monitor and Resource Information \(vparstatus\)](#)” (page 137).

Note that you can only add CPUs that are available. If you are using iCAP (formerly known as iCOD), the CPUs must be active and authorized by iCAP before you can add it to a virtual partition.

In A.04.xx, all CPUs can process I/O interrupts. See “[Managing I/O Interrupts](#)” (page 237).

CPU: Specifying Min and Max Limits

The syntax to specify *min* and *max* CPUs assigned to a virtual partition is:

```
- [a|m] cpu:::[min] [:max]
```

where:

-a is adding (used with `vparcreate` or `vparmodify`)

-m is modifying (used with `vparmodify`)

min is the minimum number of CPUs for the virtual partition to boot and the minimum number of CPUs that must remain assigned to the partition

max is the maximum number of CPUs that can be assigned to the virtual partition



NOTE: The virtual partition must be in the down state to set the min or max value.

The total count of CPUs in the virtual partition must always be greater than or equal to *min* and less than or equal to *max*.

See “CPU: Syntax, Rules, and Notes” (page 236) regarding the new concepts and count rules for *min*.

Examples

- To set the minimum number of CPUs to 2:
keira1# `vparmodify -p keira2 -m cpu:::2`
- To set the minimum number of CPUs to 2 and the maximum to 4:
keira1# `vparmodify -p keira2 -m cpu:::2:4`

CPU: Adding and Deleting by Total

The basic syntax for adding and deleting CPUs is:

```
-a|d|m cpu:::num
```

where:

-a|d|m specifies adding, deleting, or modifying the *total* count of CPUs

num specifies the number of CPUs



NOTE: CPU deletion fails when deletion by total and by CLP are given in the same `vparmodify` command.

In this situation, the CPU deletion by total fails with the error message “vPar does not own enough Monitor-assigned CPUs to satisfy the request” although there are enough monitor-assigned CPUs.

Instead, issue separate `vparmodify` commands to delete by total and delete by CLP.

For example instead of issuing the following command:

```
# vparmodify -p vpar1 -d cell:3:cpu::2 -d cpu::1
```

Issue two separate commands to delete by CLP and then by total:

```
# vparmodify -p vpar1 -d cell:3:cpu::2
```

```
# vparmodify -p vpar1 -d cpu::1
```

NOTE: The virtual partition can be either up or down when using the `cpu::num` syntax.

When the virtual partition is active, CPUs that were added using the `cpu::num` syntax can be deleted only by using either:

- `cpu::num` syntax (deletion by total), or
- `cpu:hw_path` syntax (deletion by hardware path)

Deletion by total (`cpu::num`) is recommended over deletion by hardware path (`cpu:hw_path`).

Total increases or decreases by *num* when using the `-a` or `-d` options and is set to *num* when using the `-m` option.

vparcreate

With the `vparcreate` command, you would use the `-a` option and specify as *num* the number of CPUs to allocate to the virtual partition.

If no `cpu` syntax is given on the `vparcreate` command line, the default value for total is 1.

Example

- To create the virtual partition `keira2` with 3 CPUs, set *num* to 3:

```
keira1# vparcreate -p keira2 -a cpu::3 ...
```

vparmodify

With the `vparmodify` command, you can use the:

- `-a` option to add *num* CPUs to the virtual partition,
- `-d` option to delete *num* CPUs from the virtual partition,
- `-m` option to modify (set) to *num* the number of CPUs assigned to the partition. The vPars Monitor automatically will add or delete CPUs to or from the virtual partition to reach *num* CPUs.

Examples

- If an existing partition has 2 CPUs and you would like to set the number of CPUs to 3, you can modify the number of CPUs assigned to the partition by using the `-m` option and setting *num* to 3:

```
keira1# vparmodify -p keira2 -m cpu::3
```

To set the number of CPUs back to two, use the `-m` option and set *num* to 2:

```
keira1# vparmodify -p keira2 -m cpu::2
```

- If you would like to add 1 CPU to an existing partition, regardless of its current CPU count, you can add 1 CPU by using the `-a` option and setting `num` to 1:

```
keira1# vparmodify -p keira2 -a cpu::1
```

To remove the added CPU from the partition, use the `-d` option and set `num` to 1:

```
keira1# vparmodify -p keira2 -d cpu::1
```

CPU: Adding or Deleting by CLP (Cell Local Processor)

Similar to CLM (cell local memory), CLP (cell local processor) refers to CPUs on a specific cell. The syntax to specify CLP is:

```
- [a|d] cell:cell_ID:cpu::num
```

where:

-a is adding

-d is deleting

cell_ID is the cell ID

num is the number of CPUs from the cell to be added to or deleted from the virtual partition. Note that the num CPUs need to be available on the cell as well as the system before they can be added. To see whether they are available or already allocated, use the vparstatus command.



NOTE: CPU deletion fails when deletion by total and by CLP are given in the same vparmodify command.

In this situation, the CPU deletion by total fails with the error message “vPar does not own enough Monitor-assigned CPUs to satisfy the request” although there are enough monitor-assigned CPUs.

Instead, issue separate vparmodify commands to delete by total and delete by CLP.

For example instead of issuing the following command:

```
# vparmodify -p vpar1 -d cell:3:cpu::2 -d cpu::1
```

Issue two separate commands to delete by CLP and then by total:

```
# vparmodify -p vpar1 -d cell:3:cpu::2
```

```
# vparmodify -p vpar1 -d cpu::1
```

NOTE: The virtual partition can be either up or down when using the CLP syntax (cell_ID:cpu::num).

CPUs that are added using the CLP syntax can be deleted only by using either:

- CLP syntax, or
- cpu:hw_path syntax (deletion by hardware path).

Adding or deleting CPUs by CLP changes total accordingly, regardless of whether the virtual partition is up or down.

Examples

- To create a virtual partition using 2 CPUs from cell 6:
keira1# vparcreate -p keira2 -a cell:6:cpu::2 ...
- To increase the number of CPUs by 2 using the CPUs of cell 6:
keira1# vparmodify -p keira2 -a cell:6:cpu::2
To decrease the number of CPUs by 2 using the CPUs of cell 6:
keira1# vparmodify -p keira2 -d cell:6:cpu::2

CPU: Adding or Deleting by Hardware Path

The syntax for specifying by hardware path is:

```
- [a|d] cpu:hw_path
```

where:

-a is adding
-d is deleting
hw_path is the *hw_path* (you can find the hardware path using `ioscan` or `vparstatus -v`)



NOTE: The target virtual partition can be up or down when specifying by hardware path. CPUs that are added using the hardware path syntax can be deleted only by using the hardware path syntax.

Adding or deleting CPUs by hardware path changes total only when the virtual partition is up (unless the operation is an addition and the specified CPU is already assigned to the partition). If the virtual partition is down, total is not changed and becomes a high boundary. For example, if `keira2` is down and total is set to 2, you cannot have more than 2 CPUs added by hardware path. This is for A.03.xx-backwards compatibility.

Example

- To add the CPUs at 0/10 and 0/11 to `keira2`:

```
keira1# vparmodify -p keira2 -a cpu:0/10 -a cpu:0/11
```

Using both the Hardware Path Specification and CLP specification

Although you can add and delete CPUs by hardware path, to avoid confusion it is recommended that you specify by cell rather than by hardware path. The exception is for dual-CPU sockets.

For dual-CPU sockets, if you wish to have both CPUs of a socket assigned to the same virtual partition, you should specify by hardware path instead of by cell. Specifying by cell cannot guarantee that both CPUs in the socket are the CPUs chosen by the vPars Monitor and assigned to the target virtual partition., although the vPars Monitor will attempt to do this whenever possible.

For more information on dual-core CPU usage, see “CPU: Dual-Core Processors” (page 240).

CPU: Syntax, Rules, and Notes

vparstatus

- When a virtual partition is down, `vparstatus` does not show any CPU assigned as the boot processor. The boot processor is not assigned until the virtual partition is actually booted.
- If a virtual partition is down and assigned only one CPU, a CPU will be reserved by the vPars Monitor, making it unavailable. The specific CPU reserved is not determined until boot time. As a result, while the virtual partition is down, `vparstatus -A`, which shows available resources, will show all the possible paths of unassigned CPUs but the count of available CPUs will be one less. The count reflects the actual number of available CPUs because one CPU is reserved for the down virtual partition.

Counts Summary

- At all times, the rule of $\text{min} \leq \text{total} \leq \text{max}$ is enforced.
- When adding by CLP, the total count changes whether the partition is up or down.
- When adding by hardware path, the total count changes only when the partition is up. The total does not change if the specified CPU is already assigned to the partition.
- When adding by hardware path and the partition is down, you cannot have the number of CPUs added by hardware path exceed the current total value.

Deleting CPUs Summary

- You can delete any CPU, except the current boot processor, by specifying its hardware path.
- If you want to control which CPU is deleted (rather than leaving it up to the vPars Monitor), use the same method—by CLP, by hardware path, or by count—on your deletion command line that you used on your addition command line.
- The current boot processor can not be deleted from a virtual partition. (Use `vparstatus -v` to determine the current boot processor.) You will need to shutdown the virtual partition and delete the desired CPU.

Managing I/O Interrupts

This section describes information you need if you are managing I/O interrupts on a vPars-enabled system. Note that migrating interrupts should only be done by advanced administrators for performance tuning.

`intctl` Command

The `intctl` command is a HP-UX tool that allows you to manage I/O interrupts among active CPUs.

For HP-UX 11i v2 and later, the software for `intctl` is part of the Core OS.

For more information, see the Interrupt Migration Product Note available at <http://docs.hp.com> or the `intctl(1M)` manpage.

Notes

- At boot time of a virtual partition, interrupts are processed by all the CPUs in the virtual partition.
- After boot, CPUs that are added to the virtual partition are not assigned to process I/O interrupts. However, you can migrate I/O interrupts to any added CPU using `intctl`.
- After boot, CPUs that are deleted from a virtual partition no longer process I/O interrupts for the partition. When a CPU is deleted from a virtual partition, if the deleted CPU has I/O interrupts, the I/O interrupts are automatically and transparently reassigned to other active CPUs in the partition.



NOTE: Repeatedly adding and deleting CPUs without a reboot of the target virtual partition may cause an imbalance in the interrupt processing load across the CPUs of the virtual partition. However, you can use `intctl` to rectify the imbalance if necessary.

CPU: Using iCAP (Instant Capacity on Demand) with vPars (vPars A.04.xx and iCAP B.07)

iCAP CPUs are unlicensed CPUs. The unlicensed CPUs may be shown as available CPUs in the `vparstatus -A` output. To use iCAP CPUs, you must first purchase them; then, you can activate and assign them to a virtual partition.

For detailed information on using iCAP in vPars environment, including using earlier versions of iCAP (formerly known as iCOD) with earlier versions of vPars, see the corresponding *HP Instant Capacity User's Guide*.

Purchasing Licenses for iCAP CPUs

To purchase licenses for any iCAP components, including iCAP CPUs, you must follow the normal iCAP process as shown in the *HP Instant Capacity User's Guide*. If you attempt to assign an iCAP CPU before purchasing the license, you will get an iCAP authorization error.

Activating and Deactivating CPUs

When you are in standalone (PA-RISC) or nPars (Integrity) mode, you can activate CPUs using the `icod_modify -a` command. Then, while you are in the vPars environment or vPars mode, you can use `vparmodify -a` as long as you do not go above the number of Intended Active CPUs (see “Intended Active Boundary” (page 238)).

When you are in the vPars environment or vPars mode, you can activate a CPU using `icod_modify -a`. However, this automatically activates and assigns the CPU to the local partition (the virtual partition from which the `icod_modify -a` was invoked). For example, after you have purchased 3 licenses, you can activate and assign the 3 CPUs to the local virtual partition using iCAP commands:

```
winona1# icod_modify -a 3 1
```

1 Assign three CPUs to winona1.

At this point, the 3 CPUs have already been added; you do not need to run `vparmodify -a cpu::3`. If you do run `vparmodify -a cpu::3`, this will add 3 more CPUs to the virtual partition (in addition to the 3 CPUs that were added with the `icod_modify` command).

Note that if you deactivate CPUs while in the vPars environment or in vPars mode using `icod_modify -d`, this will un-assign those CPUs from the local virtual partition.

Assigning and Unassigning CPUs

While in the vPars environment, as long as the number of CPUs assigned to your virtual partitions is less than or equal to the number of Intended Active CPUs, you can use `vparmodify` to add CPUs to your virtual partitions. As long as the number of CPUs assigned to your virtual partitions does not go below your specified vPars minimums (`cpu::[min]`), you can delete CPUs from your virtual partitions, regardless of the number of Intended Active.

Note that as stated above, while in the vPars environment or vPars mode, using `icod_modify -a` assigns as well as activates those CPUs to the local virtual partition.

Intended Active Boundary

Using the iCAP software, the Intended Active number represents the number of licensed CPUs that could be activated within an nPartition. To view the current Intended Active number, you can use the iCAP command `icod_stat`. To change the Intended Active number, you can use the iCAP command `icod_modify`.

While in the vPars environment (PA) or vPars mode (Integrity), the total number of CPUs assigned to the virtual partitions *cannot exceed* Intended Active. This is true regardless of whether the virtual partitions are up or down. If you encounter this situation, you may need to increase Intended Active using `icod_modify -a` to activate and assign CPUs to your nPartition.

While in standalone (PA) or nPars (Integrity) mode, when the total number of CPUs assigned to the virtual partitions *exceeds* the current Intended Active number for the nPartition, iCAP allows this in the vPars database but displays a warning that the virtual partitions in the vPars database will not boot. If you attempt to boot the vPars Monitor using this vPars database without increasing Intended Active using the iCAP commands, the iCAP software will disallow this and shut down any virtual partitions attempting to boot. You must reboot to standalone (PA) or nPars mode (Integrity), fix the situation so that the total number of assigned CPUs is less than or equal to the Intended Active number, and then reboot the vPars Monitor.

When assigning to an alternate and inactive vPars database, vPars and iCAP will allow the assignments, but as in the above situation, if you attempt to boot this vPars database without increasing the Intended Active number using the iCAP commands, the iCAP software will not allow this and will shut down any virtual partitions attempting to boot. You must reboot to standalone (PA-RISC) or nPars mode (Integrity), fix the situation so that the total number of

assigned CPUs is less than or equal to the Intended Active number, and then reboot the vPars Monitor.

CPU: Dual-Core Processors

With the PA-8800s and other dual-core processors, there are two CPUs per socket. (On a cell board with four sockets, this allows 8 CPUs per cell board.) The CPUs that share the socket are called *sibling CPUs*.

Splitting sibling CPUs across virtual partitions refers to assigning one sibling CPU to one partition and assigning the other sibling CPU to a different virtual partition. No noticeable performance degradation has been seen when splitting sibling CPUs. Due to items such as the larger L2 cache size, there actually can be a small performance boost if the siblings are split such that one of the virtual partitions has no workload. If you require consistently predictable performance, configure the virtual partitions consistently; in other words, decide whether to split siblings or keep them together, and maintain that policy across all virtual partitions.

Determining If the System Has Dual-Core Processors

You can see the sibling and virtual partition assignment using `vparstatus -d`. If you do not have a dual-core system, the output will show dashes (-) for the sibling and assignment information:

```
# vparstatus -d
CPU                               Cell Config                               Sibling Information
path  CPU HPA                       ID   Status Assigned to                               Path /vPar name
=====
0.10  0xffffffffffc078000             0 E   vpuma02                                   - -
0.11  0xffffffffffc07a000             0 E   vpuma01                                   - -
0.12  0xffffffffffc07c000             0 E   vpuma04                                   - -
0.13  0xffffffffffc07e000             0 E   -                                           - -
...
```

When you do have dual-core system, the `vparstatus -d` output will look similar to the following:

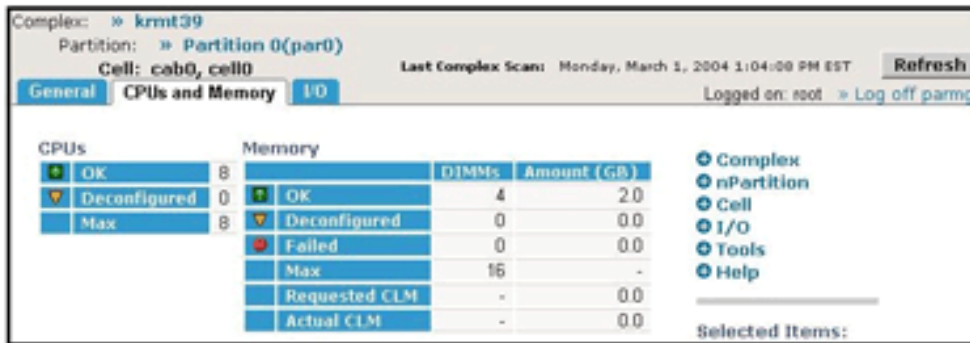
```
# vparstatus -d
CPU                               Cell Config                               Sibling Information
path  CPU HPA                       ID   Status Assigned to                               Path /vPar name
=====
0.10  0xffffffffffc070000             0 E   vpkeira1                                   0.11 vpkeira3
0.11  0xffffffffffc071000             0 E   vpkeira3                                   0.10 vpkeira1
0.12  0xffffffffffc074000             0 E   -                                           0.13 vpkeira4
0.13  0xffffffffffc075000             0 E   vpkeira4                                   0.12 -
0.14  0xffffffffffc078000             0 E   -                                           0.15 -
0.15  0xffffffffffc079000             0 E   -                                           0.14 -
...
```

You can also use the `parstatus` command or `parmgr` to determine if you are running dual-core processors. If the maximum number of CPUs per cell is 8, then you are running dual-core processors:

```
# parstatus -c 0
[Cell]

CPU      Memory      Use
OK/      ( GB)      Core  On
Hardware Actual    Deconf/ OK/      Cell  Next  Par
Location Usage    Max    Deconf  Connected To  Capable Boot  Num
=====
cab0,cell0 active core 8/0/8    2.0/ 0.0 cab0,bay0,chassis0 yes  yes  0
```


Figure 7-7 Using Partition Manager to Determine Dual-Core Processors



Determining Sibling CPUs

Once you have determined that you have a dual-core system, the siblings have adjacent hardware paths. The first core's path ends in an even number, and its sibling's path ends in the following (odd) number. For example, if the `ioscan` output shows:

```
0/10    processor    Processor
0/11    processor    Processor
0/12    processor    Processor
0/13    processor    Processor
0/14    processor    Processor
0/15    processor    Processor
0/16    processor    Processor
0/17    processor    Processor
```

The hardware paths for the sibling pairs are:

```
0/10 and 0/11
0/12 and 0/13
0/14 and 0/15
0/16 and 0/17
```

After vPars is installed, you can also use the vPars Monitor's `scan` command to show hardware paths.

```
MON> scan
```

```
0          CELL          sv_model=172  HPA=0xffffffffc000000  VPAR=ALL
0/0        BUSCONV        sv_model= 12  HPA=0xffffffff802000000  VPAR=ALL
0/0/0      BUS_BRIDGE       sv_model= 10  HPA=0xffffffff801000000  VPAR=vpar1
0/0/1      BUS_BRIDGE       sv_model= 10  HPA=0xffffffff801000200  VPAR=vpar1
0/0/2      BUS_BRIDGE       sv_model= 10  HPA=0xffffffff801000400  VPAR=NONE
0/0/4      BUS_BRIDGE       sv_model= 10  HPA=0xffffffff801000800  VPAR=NONE
0/0/6      BUS_BRIDGE       sv_model= 10  HPA=0xffffffff801000c00  VPAR=NONE
0/0/8      BUS_BRIDGE       sv_model= 10  HPA=0xffffffff801001000  VPAR=vpar4
0/0/10     BUS_BRIDGE       sv_model= 10  HPA=0xffffffff801001400  VPAR=vpar2
0/0/12     BUS_BRIDGE       sv_model= 10  HPA=0xffffffff801001800  VPAR=NONE
0/0/14     BUS_BRIDGE       sv_model= 10  HPA=0xffffffff801001c00  VPAR=vpar3
0/5        MEMORY         sv_model= 9   HPA=0xffffffffc016000  VPAR=ALL
0/10       NPROC           sv_model= 4   HPA=0xffffffffc070000  VPAR=vpar2
0/11       NPROC           sv_model= 4   HPA=0xffffffffc071000  VPAR=vpar3
0/14       NPROC           sv_model= 4   HPA=0xffffffffc078000  VPAR=vpar4
0/15       NPROC           sv_model= 4   HPA=0xffffffffc079000  VPAR=SHARED
1          CELL          sv_model=172  HPA=0xffffffffc080000  VPAR=ALL
1/0        BUSCONV        sv_model= 12  HPA=0xffffffff812000000  VPAR=ALL
1/0/0      BUS_BRIDGE       sv_model= 10  HPA=0xffffffff811000000  VPAR=vpar1
1/0/1      BUS_BRIDGE       sv_model= 10  HPA=0xffffffff811000200  VPAR=vpar1
1/0/2      BUS_BRIDGE       sv_model= 10  HPA=0xffffffff811000400  VPAR=vpar4
1/0/4      BUS_BRIDGE       sv_model= 10  HPA=0xffffffff811000800  VPAR=NONE
1/0/6      BUS_BRIDGE       sv_model= 10  HPA=0xffffffff811000c00  VPAR=vpar2
1/0/8      BUS_BRIDGE       sv_model= 10  HPA=0xffffffff811001000  VPAR=NONE
1/0/10     BUS_BRIDGE       sv_model= 10  HPA=0xffffffff811001400  VPAR=vpar3
```

1/0/12	BUS_BRIDGE	sv_model= 10	HPA=0xffffffff8110018000	VPAR=vpar1
1/0/14	BUS_BRIDGE	sv_model= 10	HPA=0xffffffff811001c000	VPAR=NONE
1/5	MEMORY	sv_model= 9	HPA=0xffffffffc096000	VPAR=ALL
1/6	IPMI	sv_model=192	HPA=0xffffffffc300c0000	VPAR=ALL
1/10	NPROC	sv_model= 4	HPA=0xffffffffc0f0000	VPAR=vpar1
1/11	NPROC	sv_model= 4	HPA=0xffffffffc0f1000	VPAR=SHARED
1/14	NPROC	sv_model= 4	HPA=0xffffffffc0f8000	VPAR=SHARED
1/15	NPROC	sv_model= 4	HPA=0xffffffffc0f9000	VPAR=SHARED

where the following CPU pairs are siblings:

- CPU 1/10 (owned by vpar1) and CPU 1/11 (unassigned)
- CPU 0/10 (owned by vpar2) and CPU 0/11 (owned by vpar3)
- CPU 0/14 (owned by vpar4) and CPU 0/15 (unassigned)
- CPU 1/14 (unassigned) and CPU 1/15 (unassigned)

CPU: CPU Monitor (Formerly Known As LPMC Monitor)

The *CPU Monitor* (a part of the diagnostic tool Event Monitor Services (EMS) and not a part of the vPars Monitor) is designed to monitor cache parity errors within the CPUs on the system. With its Dynamic Processor Resilience (DPR), if the CPU Monitor detects a pre-determined number of errors, the CPU Monitor will deactivate a CPU for the current boot session. If the problems are severe enough, the CPU Monitor will deconfigure the socket for the next boot of the system.

Deactivation of a CPU means that the OS will attempt to no longer use the CPU by migrating all threads off the CPU. Deactivation of a CPU is *not* persistent across an OS or system reboot.

Deconfiguration of a socket means that the EMS issues a firmware call, marking the socket for deconfiguration on the next system boot. On the next system boot, none of the cores in the target socket are visible to either the OS in standalone mode or the OS instances of the virtual partitions. The deconfiguration is persistent across system boots.

Note the following two items:

- A deactivation of a CPU does not mean a deconfiguration of its socket. The CPU Monitor is able to determine whether the CPU needs to be deactivated or whether it needs to take further action and deconfigure the socket.
- A reboot of a virtual partition is not the same as a reboot of the system (the entire box or nPartition).

The exceptions to the deactivation of CPUs are the boot processor of each OS instance (the boot processor has a logical instance of zero) and the last CPU in a cell or nPartition. The exception to the deconfiguration of sockets is that the last remaining socket will not be deconfigured (otherwise, the system could not boot).

If any spare iCAP (formerly known as iCOD) or PPU CPUs are available, the necessary number of CPUs will be activated to replace the CPUs deactivated.



NOTE: On a vPars system, when a virtual partition goes down and contains a deconfigured or deactivated CPU, the Monitor will try to decommission the CPU from use and replace it with another good CPU if possible. If this is not possible, the vPars Monitor will not allow the partition to boot until the deconfigured or deactivated CPU can be taken out of use. Following are some cases where the vPars Monitor may not allow the virtual partition to boot:

- There is a deconfigured or deactivated CPU which has been reserved for the partition as part of the total (`cpu : : num`) request and vPars Monitor does not have any free CPUs with which to replace it. To correct this, you can delete CPUs from other partitions or from this partition.
- There is a deconfigured or deactivated CPU that has been bound to the partition by hardware path (`cpu : hw_path`) which the vPars Monitor is not able to replace with another available CPU. To correct this, you can remove the CPU specified by hardware path using `-d cpu : hw_path` to allow the deconfigured or deactivated CPU to be decommissioned and replaced with another (working) CPU.
- There is a deconfigured CPU which has been reserved for the partition as part of a CLP request (`cell : cell_ID : cpu :: num`) and there are no free CLPs in that cell. To correct this, you can make available CPUs from that cell by deleting the CPUs that are part of this cell from other partitions or delete the CPUs from the cell in this partition.

Dual-core processors have two CPUs (that is, cores) per processor. Deactivation happens on a CPU level, but deconfiguration happens at the socket level. If a processor's socket is deconfigured, both CPUs sharing the socket will be unavailable.

(Integrity only) If a CPU is **marked for deconfiguration** using an EFI command and the nPartition is not rebooted (for example, the vPars Monitor is immediately booted), the vPars Monitor will not know or indicate (including with `vparstatus`) that the CPU has been marked for deconfiguration and will use the CPU like any other working CPU.

8 CPU, Memory, and I/O Resources (A.03.xx)



NOTE: The A.03.xx release of vPars, and therefore this chapter, applies only to PA-RISC systems.

Managing Hardware Resources

- I/O Allocation (Adding or Deleting I/O Resources)
- Memory Allocation (Adding or Deleting Memory Resources)
- CPU Allocation (Adding or Deleting CPU Resources)
- CPU Monitor (deallocation and deconfiguration)



NOTE: Some examples in this chapter may use a non-nPartitionable system where there is no cell in the hardware path. If using an nPartitionable system you must include the cell in the hardware path; for details see “Planning, Installing, and Using vPars with an nPartitionable Server” (page 49).

I/O: Concepts

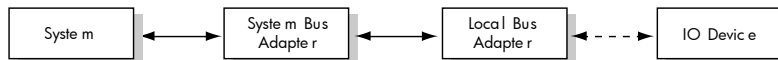
Acronyms

LBA Local Bus Adapter
SBA System Bus Adapter

System, Cells, SBA, LBA, Devices and Relationships

On a server, an I/O device communicates to the system through the LBA and SBA. The path looks like Figure 8-1.

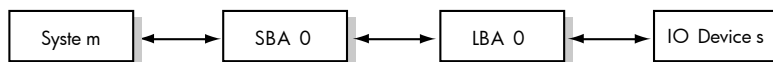
Figure 8-1 System to I/O Device Relationship



This corresponds to the `ioscan` hardware path output for an I/O device of `sba/lba/.../device`.

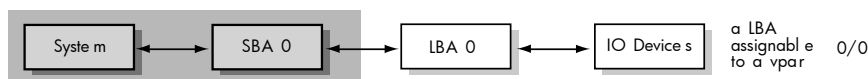
A LBA actually owns all the devices attached to it. In the example below, all the I/O devices attached to LBA 0 are owned by LBA 0, and the hardware paths of those I/O devices begin with 0/0 (sba/lba). (Cells are discussed later and would change the hardware path to cell_ID/sba/lba.)

Figure 8-2 LBA Owns Multiple I/O Devices



It is at the LBA level where vPars assigns I/O. In the example below, this means that LBA 0 can be assigned to at most one virtual partition. If LBA 0 is assigned to vparN, it is implied that all I/O devices attached to LBA 0 are assigned to vparN.

Figure 8-3 vPars Allocates I/O at the LBA Level



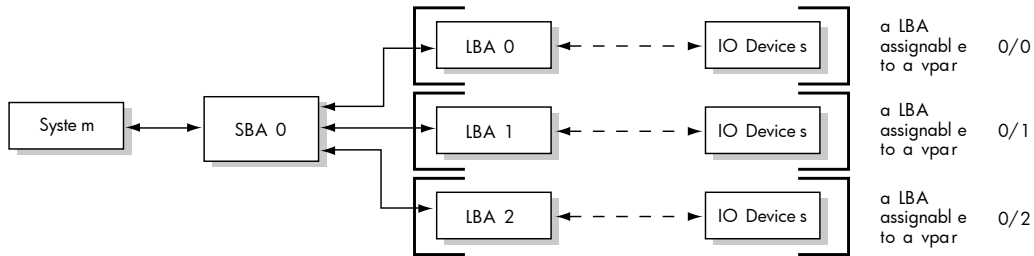
A SBA has multiple LBAs attached to it; it is a hierarchical relationship. Nevertheless, assignments in vPars remain at the LBA level, and each LBA can be assigned to a different virtual partition.



NOTE: Regarding syntax and how vPars commands interpret what is specified on the command line, see “I/O: Allocation Notes” (page 249). Even if there are shortcuts in assigning LBAs, vPars assigns per LBA.

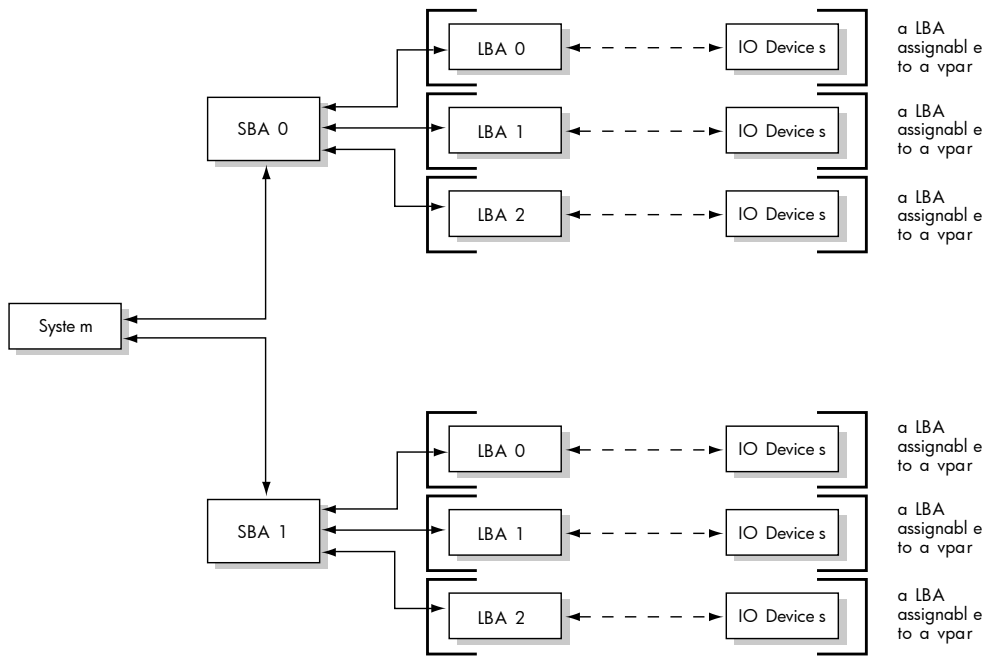
In the example below, each LBA (shown in brackets) can be assigned to a different virtual partition.

Figure 8-4 vPars Allocates at LBA Level not SBA Level



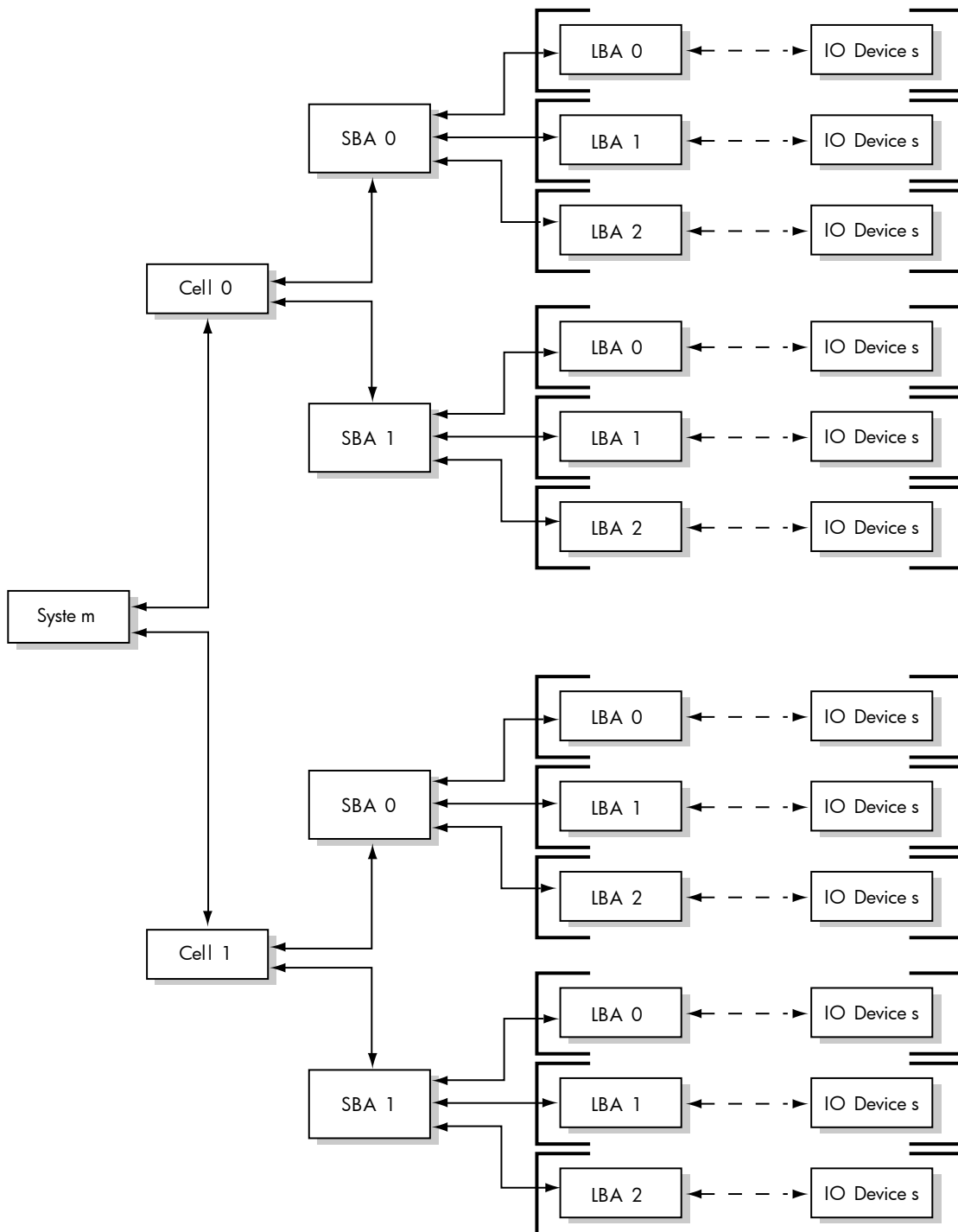
A system has multiple SBAs, but assignments remain at the LBA levels.

Figure 8-5 vPars Allocates at LBA Level not SBA Level



With the addition of cells (an nPartitionable server), there are more SBAs, but I/O assignments remain at the LBA level:

Figure 8-6 vPars Allocates at LBA Level not Cell Level



I/O: Adding or Deleting LBAs

I/O Syntax in Brief

The basic core syntax for adding or deleting I/O resources is:

`-a|d io:hardware_path`

where:

`-a` is adding

`-d` is deleting

`hardware_path` is the hardware path of the I/O

Examples

- To add all hardware using the SBA/LBA hardware path of 1/2 to an existing partition winona2:
winona1# vparmodify -p winona2 -a io:1.2
- To remove all hardware with SBA/LBA 1/2 from partition winona2:
winona1# vparmodify -p winona2 -d io:1.2



NOTE: The virtual partition must be in the down state to add or delete I/O resources.

I/O: Allocation Notes

When planning or performing I/O allocation, note the following:

- **An LBA can be assigned to at most one virtual partition at any given time.** When you are planning your I/O to virtual partition assignments, note that only one virtual partition may own any hardware at or below the LBA (Local Bus Adapter) level. In other words, **hardware at or below the LBA level must be in the same virtual partition.**

Example Looking at the `ioscan` output of a rp7400/N4000, the two internal disk slots use the same LBA:

```
0/0          ba          Local PCI Bus Adapter (782)
0/0/2/0      ext_bus     SCSI C875 Ultra Wide Single-Ended
0/0/2/1      ext_bus     SCSI C875 Ultra Wide Single-Ended
```

Therefore, you *cannot* assign one of the internal disks to partition `vpar1` and the other internal disk to partition `vpar2`; these disks must reside in the same partition.

- **Syntax Notes**



CAUTION: Using vPars A.03.01 or earlier, **LBAs must be explicitly specified (included in the hardware path)**. Specifying only the SBA is not supported. If specifying only an SBA, the commands will *not* assume that all LBAs under the SBA are to be assigned; the system may actually panic.

Beginning with vPars A.03.02, you can specify only the SBA. The vPars commands will assume the change applies to all LBAs under the specified SBA.

The exception are boot disks; **boot disks are specified using the full hardware path.**



NOTE: When assigning I/O, if you specify a path below the LBA level (for example, `cell/sba/lba/.../device`, vPars automatically assign the LBA to the virtual partition. For example, if you specify `-a io:0/0/0/2/0.6.0` where `0/0/0` is the `cell/sba/lba`, the `lba` of `0/0/0` is assigned to the virtual partition. Further, this LBA assignment implies that all devices using `0/0/0` are assigned to the virtual partition.

The assignment rules of LBAs remain applicable: the LBA can only be owned by one virtual partition. For example, once the LBA at `0/0/0` is assigned to one virtual partition, it cannot be simultaneously assigned to any other virtual partition. Thus, if the device at `0/0/0/2/0.6.0` is assigned to a virtual partition, the LBA at `0/0/0` is assigned to that virtual partition, so the device at `0/0/0/2/0.6.0` cannot be assigned to a different virtual partition.

LBA Example

The `vparcreate` command on a non-nPartitionable system looks like:

```
#vparcreate -p vpar1 -a cpu::1 -a cpu:::1 -a mem::1024 -a io:0.0 -a
io:0.0.2.0.6.0:BOOT
```

where the I/O assignment is specified using the LBA level (`-a io:0.0`) and the boot disk is specified using the full hardware path (`-a io:0.0.2.0.6.0`).

For an nPartitionable system, the `vparcreate` command would look like:

```
# vparcreate -p vpar1 -a cpu::1 -a cpu:::1 -a mem::1024 -a io:0.0.0 \
-a io:0.0.0.2.0.6.0:BOOT
```

where the I/O assignment is specified using the LBA level (`-a io:0.0.0`) and the boot disk is specified using the full hardware path (`-a io:0.0.0.2.0.6.0`).

For information on using the LBA level on nPartitionable systems, also see “Planning, Installing, and Using vPars with an nPartitionable Server” (page 49).

- **SBA/LBA versus cell/SBA/LBA** When viewing hardware paths, note the following:

1. The explicit specification of an LBA on a non-nPartitionable system consists of two fields: `sba/lba`
 2. The explicit specification of an LBA on an nPartitionable system consists of three fields: `cell/sba/lba`
 3. With A.03.02 and later and A.04.xx, all LBAs under a SBA are implied when explicitly specifying a SBA without specifying any LBA. Therefore, the path specified on a command line can have different meanings depending upon the vPars version, the type of server, and the user intent. For example, the path of `x/y` can mean *any* of the following:
 - `sba=x, lba=y` on a non-nPartitionable server running vPars A.03.01 or earlier.
 - `sba=x, lba=y` on a non-nPartitionable server running vPars A.03.02 or later or A.04.xx.
 - `cell=x, sba=y` on an nPartitionable server running vPars A.03.02 or later or A.04.xx.
- **Supported I/O** Check your hardware manual to verify that your mass storage unit can be used as a bootable device. If a mass storage unit cannot be used as a boot disk on a non-vPars server, it cannot be used as a boot disk on a vPars server. vPars does not add any additional capability to the hardware.

For information on supported I/O interface cards and configurations, see the document *HP-UX Virtual Partitions Ordering and Configuration Guide*.

Memory: Concepts and Functionality

Acronyms

ILM Interleaved Memory

vPars A.03.xx and A.02.xx use and assign only ILM; vPars A.04.xx allows use of ILM and CLM.

Assignments

You assign memory to a virtual partition:

- by size

This uses the nPartition's ILM.

Within the available nPartition's ILM, you can also:

- specify an address range to use

This does not increase the amount of memory assigned to the virtual partition. The address range is a specific subset of the existing ILM amount assigned to the virtual partition.

Therefore, the total amount of memory specified by ILM addresses cannot exceed the amount of ILM assigned to the virtual partition.



NOTE: The virtual partition must be in the down state to add or delete memory resources.

Memory: Assigning by Size (ILM)

Assigning memory by specifying only size uses ILM memory. ILM memory is the only type of memory used in vPars A.03.xx and earlier. vPars A.04.xx and later can use either ILM or CLM memory.

Syntax

The basic syntax for adding or deleting ILM resources assigned to a virtual partition is:

```
- [a|d] mem::size
```

where:

a is adding

d is deleting

size is the quantity of ILM in MBs

Examples

- To create the virtual partition winona2 with 1024 MB of ILM:
winona1# vparcreate -p winona2 -a mem::1024
- To add 1024 MB of ILM to an existing partition winona2:
winona1# vparmodify -p winona2 -a mem::1024
- To decrease the amount of ILM assigned to partition winona2 by 1024 MB:
winona1# vparmodify -p winona2 -d mem::1024

Memory: Specifying Address Range

Within the already allocated memory sizes, you can specify the memory address ranges using the `mem:::base:range` syntax. However, this is not recommended unless you are familiar with using memory addresses. You should also be familiar with the requirement that all HP-UX kernels fit within 2 GB of memory, as described in “2 GB Restriction” (page 252).

For usage information, see the `vparmodify(1M)` manpage. You should select your `base:range` after consulting `vparstatus -A` to determine which ranges are available.



NOTE: Specifying an address range does not increase the amount of memory assigned to the partition. Rather, it only specifies addresses to use for the already allocated memory sizes.

Therefore, all specified ranges cannot exceed the total allocated memory for the virtual partition. In other words, the sum of the ILM-specified ranges cannot exceed the total amount of ILM memory reserved for the virtual partition.

2 GB Restriction

When ranges are specified for the entire memory owned by a partition, you should ensure that at least one of the ranges is below 2 GB and is large enough to accommodate the kernel for that partition. However, other partitions also require memory below 2 GB for their kernels. Hence, you also should ensure that the specified range below 2 GB is not so large such as to preclude memory below 2 GB for the other partitions.

In general terms, the sum of the size of the kernels must be < 2 GB. To calculate the kernel sizes, see “Calculating the Size of Kernels in Memory (PA-RISC only)” (page 313).



CAUTION: Not allowing enough memory for the other partitions will cause the other partitions to not boot. You can boot the partition by freeing up enough memory for the partition to boot, such as by shutting down an active partition.

If no memory ranges are below 2 GBs for a given partition, the partition will not boot.

If you use the defaults of the dynamic tunables, you will not run into the 2 GB limit. However, if you have adjusted the dynamic tunables, it is possible to run beyond the 2 GB boundary. For more information on adjusting the kernel size with dynamic tunables, see the white paper *Dynamically Tunable Kernel Parameters* at <http://docs.hp.com>.

Memory: Allocation Concepts and Notes

- The unit for the specified size of memory for the vPars commands is megabytes; parmodyf uses gigabytes.
- The default memory assigned to a virtual partition is 0 MB, so you need to specify enough memory for your applications and the operating system. While there is no specific minimum base memory requirement per vpar, the HPUX kernel does require a certain amount of base memory to boot successfully. For this reason, we currently recommend that 1 GB of base memory is assigned per vpar. The more base memory a virtual partition has, the better the performance will be. This is especially true of applications that require large amounts of locked memory. See the *Installation and Update Guide* for your OS and the *nPartition Administrator's Guide* for your server.
- Memory is allocated in multiples of 64 MB. Any specified size that is not a multiple of 64 MB is rounded up to the nearest 64 MB boundary. For example, if you specify 1 MB, 64 MB will be allocated.

CPU



NOTE:

Processor Terminology Processing resources under vPars, both as input arguments and command outputs, are described as “CPUs.” For multi-core processors such as the PA-8800, the term “CPU” is synonymous with “core.” The term “processor” refers to the hardware component that plugs into a processor socket. Therefore a single processor can have more than one core, and vPars commands will refer to the separate cores as distinct “CPUs,” each with its own hardware path.

Two vPars terms pre-date multi-core processors, so they are exceptions to this terminology:

- “boot processor,” which refers to the CPU (that is, core) on which the OS kernel of the virtual partition was booted, and
- “cell local processor (CLP),” which refers to a CPU on a specified cell.

For more information on dual-core processors, see “CPU: Dual-Core Processors” (page 261).

CPU migration refers to adding CPUs to and deleting CPUs from a virtual partition. *Dynamic CPU migration* refers to migrating CPUs while the target virtual partition is running. vPars allows the assignment of most CPUs while the virtual partitions are running.

For vPars A.03 and earlier, the two types of CPUs are bound and unbound (floater) CPUs. This discussion begins at “CPU: Bound and Unbound” (page 255).



NOTE:

Using vPars A.03.xx and Earlier Syntax on a vPars A.04.xx System Although not recommended under most circumstances, you can still use the vPars A.03.xx CPU syntax on vPars A.04.xx systems. However, the concepts and rules of boot processors and dynamic CPUs in A.04.xx will apply because the concepts and rules of bound and unbound CPUs in A.03.xx no longer apply.

CPU: Specifying Min and Max Limits

The syntax to specify *min* and *max* CPUs assigned to a virtual partition is:

```
- [a|m] cpu:::[min] [:max]
```

where:

-a is adding (used with `vparcreate` or `vparmodify`)

-m is modifying (used with `vparmodify`)

min is the minimum number of CPUs for the virtual partition to boot and the minimum number of CPUs that must remain assigned to the partition

max is the maximum number of CPUs that can be assigned to the virtual partition



NOTE: The virtual partition must be in the down state to set the min or max value.

The total count of CPUs in the virtual partition must always be greater than or equal to *min* and less than or equal to *max*.

Examples

- To set the minimum number of CPUs to 2:
keira1# `vparmodify -p keira2 -m cpu:::2`
- To set the minimum number of CPUs to 2 and the maximum to 4:
keira1# `vparmodify -p keira2 -m cpu:::2:4`

CPU: Bound and Unbound

Definitions

With vPars, there are two types of CPUs: bound and unbound.

A *bound CPU* is a CPU that is assigned to and handles I/O interrupts for a virtual partition. Every virtual partition must have at least one bound CPU to handle its I/O interrupts.

CPUs that are not assigned to any virtual partition or that are assigned to a virtual partition but do not handle its I/O interrupts are *unbound CPUs*. Unbound CPUs are sometimes called floater CPUs.

All CPUs begin as not being assigned to any virtual partition, so all CPUs begin as unbound CPUs. Using the vPars commands, you can assign CPUs to virtual partitions as bound or unbound.

You can migrate both bound and unbound CPUs, but because HP-UX cannot dynamically migrate I/O interrupts, you can *dynamically* migrate only unbound CPUs.

CPU: Determining Whether to Use Bound or Unbound

When the applications within the target virtual partitions are I/O intensive, use bound CPUs because only bound CPUs can process I/O interrupts; specifically, with I/O intensive applications there should be more bound CPUs than unbound CPUs.

If your applications are CPU intensive (and not I/O intensive), use unbound CPUs so that you can easily adjust the number of CPUs via dynamic CPU migration as the demand on the virtual partition changes. Unbound CPUs provide greater flexibility of movement between virtual partitions because they can be added and removed without needing to bring down the affected partitions.

CPU: Determining When to Specify a Hardware Path for a Bound CPU

By default, the vPars Monitor chooses the hardware path of a bound CPU. However, if you need to use a specific CPU, you can specify its hardware path in the vPars commands.

Generally, you do not need to specify a hardware path. The main purpose of specifying hardware paths is when you need to consider NUMA (Non-Uniform Memory Access) factors, where the distance between a CPU and memory is critical to performance.

CPU: Adding and Removing Bound CPUs

CPU Allocation Syntax In Brief

To understand how to assign CPUs, you need to understand the command syntax. Below is a brief explanation of the CPU allocation syntax for the `vparcreate` command. For complete information, see the `vparcreate(1M)`, `vparmodify(1M)`, and `vparresources(5)` manpages.

Syntax for `vparcreate`

The core `vparcreate` syntax for CPU allocation includes:

```
vparcreate -p partition_name [-a cpu::total] [-a cpu::[min] [:[max]]]  
[[-a cpu:hw_path]...]
```

where:

- *min* is the number of CPUs bound to *partition_name*. The default is 1.
- *total* is the total number of bound plus unbound CPUs assigned to *partition_name*. The default is 1.
- *max* is the maximum number of bound plus unbound CPUs that potentially can be added to the partition. The default is the number of CPUs in the server.³
- $1 \leq \textit{min} \leq \textit{total} \leq \textit{max}$
- *hw_path* is the hardware path of a bound CPU. If not specified, the vPars Monitor chooses the hardware path.

Note on `vparmodify` Syntax

The `vparmodify` command follows a similar syntax, except that `vparmodify` allows the `-m` (modify) option as well as the `-a` (add) or `-d` (delete) option.

With the `-m` option, the number used with the `-m` is an *absolute* number. For example, `-m cpu::3` represents an absolute number of three *total* CPUs; in this case, it sets the *total* number of CPUs (bound plus unbound) to three.

With the `-a` option (as well as the `-d` option), the number used with the `-a` is a *relative* number of CPUs (relative to the number of CPUs already assigned to the virtual partition). For example, `-a cpu::3` represents three CPUs relative to the number of existing CPUs; in this case, `-a cpu::3` adds 3 *additional* unbound CPUs to the number of unbound CPUs already assigned to the partition.

3. When the vPars Monitor is running and you are not specifying an alternate database. If the vPars Monitor is not running or you are specifying an alternate database, the *max* may be a different number.

CPU: Adding a CPU as a Bound CPU

All CPUs begin as not being assigned to any virtual partition, so all CPUs begin as unbound CPUs. However, you can assign CPUs as bound CPUs to the partition by specifying the *min* number in the `-a cpu::min` command line option.

Examples

- To create a virtual partition `winona2` with two bound CPUs:

```
winona1# vparcreate -p winona2 -a cpu::2 -a cpu:::2
```

In this example, the *total* number of CPUs assigned to the partition is two (`-a cpu::2`). Of these two CPUs, two are bound because *min* is set to two (`-a cpu:::2`).
- If the partition already exists, you can use the `vparmodify` command to set the number of bound CPUs. For example, to increase the number of bound CPUs from two to three:

```
winona1# vparmodify -p winona2 -m cpu::3 -m cpu:::3
```

Choosing the Hardware Path of a Bound CPU

By default, the vPars Monitor chooses the hardware path of a bound CPU. However, if you need to use a specific CPU, you can specify its hardware path by using the `-a cpu:hw_path` option.

Examples

- In the following command:

```
winona1# vparcreate -p winona2 -a cpu::2 -a cpu:::2
```

the virtual partition `winona2` has two bound CPUs. If you want the CPU at hardware path 41 to be one of the two bound CPUs, specify the hardware path 41 (`-a cpu:41`) such that the command line is:

```
winona1# vparcreate -p winona2 -a cpu::2 -a cpu:::2 -a cpu:41
```
- If you want to specify multiple CPUs, use the `-a cpu:hw_path` option for each hardware path. For example, if you want to specify the CPU at hardware path 41 and the CPU at hardware path 45, the command is:

```
winona1# vparcreate -p winona2 -a cpu::2 -a cpu:::2 -a cpu:41 -a cpu:45
```

Note that because there are two paths specified, *min* must be greater than or equal to two. Further, because there are at least two bound CPUs, *total* must be at least two.

CPU: Removing a Bound CPU

To remove a bound CPU from a virtual partition, use the `vparmodify` command to modify the *total* and *min* parameters for the virtual partition.



NOTE: When executing any operations relating to bound CPUs (adding, modifying, or deleting), the target virtual partition must be down.

Example

- If the partition `winona2` has two bound CPUs and you want only one bound CPU (and you do not want to add any unbound CPUs), set the `total` and `min` numbers to one:

```
winona1# vparmodify -p winona2 -m cpu:::1 -m cpu:::1
```



NOTE: If you set only the `min` number to one and leave the `total` number set at two, you will still have two CPUs assigned to `winona2`. One bound CPU will be removed from the partition, but *one unbound CPU will be added* to the partition in order to maintain the `total` of two CPUs.

NOTE: Because one of the value requirements for CPUs is `min <= total` and because command line options are processed left to right, when setting both `min` and `total` to one, you need to set `min` to one before setting `total` to one. This is accomplished by specifying the `-m cpu:::min` option before the `-m cpu:::total` option.

CPU: Removing a CPU with a Specified Hardware Path

If you had specified a hardware path for a bound CPU, you would delete the specified `hw_path` and modify the `min` and `total` numbers.

Example

- If you have two bound CPUs and want to remove the bound CPU at hardware path 41 (and do not want to add any unbound CPUs), delete the hardware path 41, modify `min` to one, and modify `total` number to one:

```
# vparmodify -p winona2 -d cpu:41 -m cpu:::1 -m cpu:::1
```



NOTE: If you delete only `hw_path` and leave `total` as two and leave `min` as two, you will still have two bound CPUs.

CPU: Adding, Removing, and Migrating Unbound CPUs

For vPars A.03.xx and earlier, after *min* bound CPUs are assigned to a virtual partition, the quantity (*total* - *min*) CPUs are assigned to the partition as unbound CPUs. Therefore, to migrate unbound CPUs, specify *total* such that (*total*-*min*) is the number of unbound CPUs assigned to the target partition.

Examples

- To create the partition *winona2* with two bound CPUs and one unbound CPU, set *total* to three and *min* to two (vPars A.03.xx and earlier):

```
# vparcreate -p winona2 -a cpu::3 -a cpu:::2
```

- To add an unbound CPU to an existing partition, use the *vparmodify* command to either modify the *total* number of CPUs (*-m* *cpu::total*) or add to the *total* number of CPUs (*-a* *cpu::total*).

For example, to add one unbound CPU to the partition *winona2*, which already has three CPUs, two of which are bound, you can either modify *total* to four:

```
winona1# vparmodify -p winona2 -m cpu::4
```

or add one to *total*:

```
winona1# vparmodify -p winona2 -a cpu::1
```

- To delete one unbound CPU from the partition *winona2*, which already has four CPUs:

```
winona1# vparmodify -p winona2 -m cpu::3
```

or

```
winona1# vparmodify -p winona2 -d cpu::1
```

- Because you can dynamically migrate unbound CPUs, you can migrate an unbound CPU from one partition to another while both partitions are running. For example, if the partition *winona1* has two bound CPUs and the partition *winona2* has two bound and two unbound CPUs, you can migrate an unbound CPU from *winona2* to *winona1* using the following:

```
winona1# vparmodify -p winona2 -d cpu::1
```

```
winona1# vparmodify -p winona1 -a cpu::1
```



NOTE: Migrating unbound CPUs may not fully complete immediately after executing the *vparmodify* commands.

For more information on CPUs, see the following:

- For information on bound and unbound CPUs, see “CPU: Bound and Unbound” (page 255). If you do not know which CPUs are bound CPUs and which are unbound CPUs, use the *vparstatus* command. See “Commands: Displaying vPars Monitor and Resource Information (*vparstatus*)” (page 137) and the *vparstatus(1M)* manpage.
 - For issues with using *vparmodify*, see the *vparmodify(1M)* manpage. For required partition states, see the *vparresources(5)* manpage.
-

CPU: Managing I/O Interrupts

This section describes information you need if you are managing I/O interrupts on a vPars-enabled system. Note that migrating interrupts should only be done by advanced administrators for performance tuning.

intctl Command

The `intctl` command is a HP-UX tool that allows you to manage I/O interrupts among active CPUs.

For HP-UX 11i v1, `intctl` is not installed by default with HP-UX, but you can obtain the software for `intctl` from the HP-UX Software Pack for 11i v1. Software Pack is available from the Software Pack DVD included with the HP-UX 11i OE DVDs or from the Software Depot website at:

<http://www.hp.com/go/softwaredepot>

For more information, see the *Interrupt Migration Product Note* available at <http://docs.hp.com> or see the `intctl(1M)` manpage.

Notes

- Interrupts are processed only by bound CPUs.
- Therefore, when managing I/O interrupts with `intctl`, you can manage the I/O interrupts only among the bound CPUs.
- Further, disabling interrupts on a bound CPU does not convert the bound CPU into an unbound CPU.

CPU: Dual-Core Processors

With the PA-8800s and other dual-core processors, there are two CPUs per socket. (On a cell board with four sockets, this allows 8 CPUs per cell board.) The CPUs that share the socket are called *sibling CPUs*.

Splitting sibling CPUs across virtual partitions refers to assigning one sibling CPU to one partition and assigning the other sibling CPU to a different virtual partition. No noticeable performance degradation has been seen when splitting sibling CPUs. Due to items such as the larger L2 cache size, there actually can be a small performance boost if the siblings are split such that one of the virtual partitions has no workload. If you require consistently predictable performance, configure the virtual partitions consistently; in other words, decide whether to split siblings or keep them together, and maintain that policy across all virtual partitions.

Determining If the System Has Dual-Core Processors

You can see the sibling and virtual partition assignment using `vparstatus -d`. If you do not have a dual-core system, the output will show dashes (-) for the sibling and assignment information:

```
# vparstatus -d
CPU                               Cell Config                               Sibling Information
path CPU HPA                      ID  Status Assigned to                               Path /vPar name
=====
0.10 0xfffffffffc078000            0 E    vpuma02                               - -
0.11 0xfffffffffc07a000            0 E    vpuma01                               - -
0.12 0xfffffffffc07c000            0 E    vpuma04                               - -
0.13 0xfffffffffc07e000            0 E    -                                       - -
...
```

When you do have dual-core system, the `vparstatus -d` output will look similar to the following:

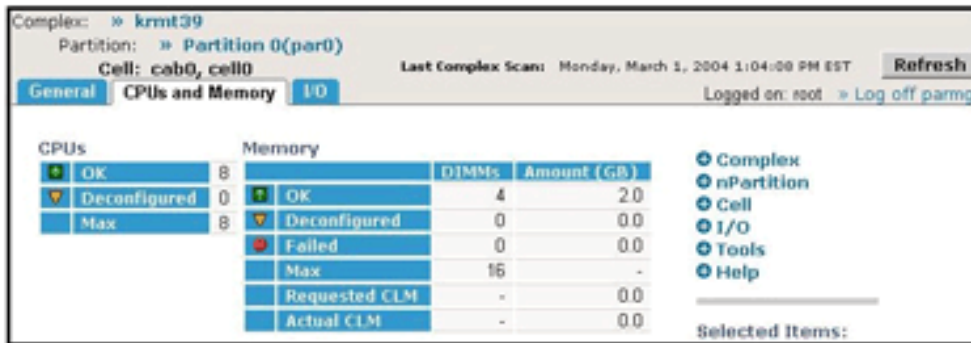
```
# vparstatus -d
CPU                               Cell Config                               Sibling Information
path CPU HPA                      ID  Status Assigned to                               Path /vPar name
=====
0.10 0xfffffffffc070000            0 E    vpkeira1                               0.11 vpkeira3
0.11 0xfffffffffc071000            0 E    vpkeira3                               0.10 vpkeira1
0.12 0xfffffffffc074000            0 E    -                                       0.13 vpkeira4
0.13 0xfffffffffc075000            0 E    vpkeira4                               0.12 -
0.14 0xfffffffffc078000            0 E    -                                       0.15 -
0.15 0xfffffffffc079000            0 E    -                                       0.14 -
...
```

You can also use the `parstatus` command or `parmgr` to determine if you are running dual-core processors. If the maximum number of CPUs per cell is 8, then you are running dual-core processors:

```
# parstatus -c 0
[Cell]

CPU      Memory      Use
OK/      ( GB)      Core On
Hardware Actual  Deconf/ OK/      Cell Next Par
Location Usage  Max  Deconf  Connected To  Capable Boot Num
=====
cab0,cell0 active core 8/0/8 2.0/ 0.0 cab0,bay0,chassis0 yes yes 0
```

Figure 8-7 Using Partition Manager to Determine Dual-Core Processors



Determining Sibling CPUs

Once you have determined that you have a dual-core system, the siblings have adjacent hardware paths. The first core's path ends in an even number, and its sibling's path ends in the following (odd) number. For example, if the `ioscan` output shows:

```
0/10    processor    Processor
0/11    processor    Processor
0/12    processor    Processor
0/13    processor    Processor
0/14    processor    Processor
0/15    processor    Processor
0/16    processor    Processor
0/17    processor    Processor
```

The hardware paths for the sibling pairs are

```
0/10 and 0/11
0/12 and 0/13
0/14 and 0/15
0/16 and 0/17
```

After vPars is installed, you can also use the vPars Monitor's `scan` command to show hardware paths.

```
MON> scan
```

```
0          CELL          sv_model=172  HPA=0xffffffffc000000  VPAR=ALL
0/0        BUSCONV         sv_model= 12  HPA=0xffffffff802000000  VPAR=ALL
0/0/0      BUS_BRIDGE       sv_model= 10  HPA=0xffffffff801000000  VPAR=vpar1
0/0/1      BUS_BRIDGE       sv_model= 10  HPA=0xffffffff801000200  VPAR=vpar1
0/0/2      BUS_BRIDGE       sv_model= 10  HPA=0xffffffff801000400  VPAR=NONE
0/0/4      BUS_BRIDGE       sv_model= 10  HPA=0xffffffff801000800  VPAR=NONE
0/0/6      BUS_BRIDGE       sv_model= 10  HPA=0xffffffff801000c00  VPAR=NONE
0/0/8      BUS_BRIDGE       sv_model= 10  HPA=0xffffffff801001000  VPAR=vpar4
0/0/10     BUS_BRIDGE       sv_model= 10  HPA=0xffffffff801001400  VPAR=vpar2
0/0/12     BUS_BRIDGE       sv_model= 10  HPA=0xffffffff801001800  VPAR=NONE
0/0/14     BUS_BRIDGE       sv_model= 10  HPA=0xffffffff801001c00  VPAR=vpar3
0/5        MEMORY          sv_model= 9   HPA=0xffffffffc016000  VPAR=ALL
0/10       NPROC            sv_model= 4   HPA=0xffffffffc070000  VPAR=vpar2
0/11       NPROC            sv_model= 4   HPA=0xffffffffc071000  VPAR=vpar3
0/14       NPROC            sv_model= 4   HPA=0xffffffffc078000  VPAR=vpar4
0/15       NPROC            sv_model= 4   HPA=0xffffffffc079000  VPAR=SHARED
1          CELL          sv_model=172  HPA=0xffffffffc080000  VPAR=ALL
1/0        BUSCONV         sv_model= 12  HPA=0xffffffff812000000  VPAR=ALL
1/0/0      BUS_BRIDGE       sv_model= 10  HPA=0xffffffff811000000  VPAR=vpar1
1/0/1      BUS_BRIDGE       sv_model= 10  HPA=0xffffffff811000200  VPAR=vpar1
1/0/2      BUS_BRIDGE       sv_model= 10  HPA=0xffffffff811000400  VPAR=vpar4
1/0/4      BUS_BRIDGE       sv_model= 10  HPA=0xffffffff811000800  VPAR=NONE
1/0/6      BUS_BRIDGE       sv_model= 10  HPA=0xffffffff811000c00  VPAR=vpar2
1/0/8      BUS_BRIDGE       sv_model= 10  HPA=0xffffffff811001000  VPAR=NONE
1/0/10     BUS_BRIDGE       sv_model= 10  HPA=0xffffffff811001400  VPAR=vpar3
```

1/0/12	BUS_BRIDGE	sv_model= 10	HPA=0xffffffff8110018000	VPAR=vpar1
1/0/14	BUS_BRIDGE	sv_model= 10	HPA=0xffffffff811001c000	VPAR=NONE
1/5	MEMORY	sv_model= 9	HPA=0xfffffffffc096000	VPAR=ALL
1/6	IPMI	sv_model=192	HPA=0xffffffffc300c0000	VPAR=ALL
1/10	NPROC	sv_model= 4	HPA=0xfffffffffc0f0000	VPAR=vpar1
1/11	NPROC	sv_model= 4	HPA=0xfffffffffc0f1000	VPAR=SHARED
1/14	NPROC	sv_model= 4	HPA=0xfffffffffc0f8000	VPAR=SHARED
1/15	NPROC	sv_model= 4	HPA=0xfffffffffc0f9000	VPAR=SHARED

where the following CPU pairs are siblings:

- CPU 1/10 (owned by vpar1) and CPU 1/11 (unassigned)
- CPU 0/10 (owned by vpar2) and CPU 0/11 (owned by vpar3)
- CPU 0/14 (owned by vpar4) and CPU 0/15 (unassigned)
- CPU 1/14 (unassigned) and CPU 1/15 (unassigned)

CPU: CPU Monitor (Formerly Known As LPMC Monitor)

The *CPU Monitor* (a part of the diagnostic tool Event Monitor Services (EMS) and not a part of the vPars Monitor) is designed to monitor cache parity errors within the CPUs on the system. With its Dynamic Processor Resilience (DPR), if the CPU Monitor detects a pre-determined number of errors, the CPU Monitor will deactivate a CPU for the current boot session. If the problems are severe enough, the CPU Monitor will deconfigure the socket for the next boot of the system.

Deactivation of a CPU means that the OS will attempt to no longer use the CPU by migrating all threads off the CPU. Deactivation of a CPU is *not* persistent across an OS or system reboot.

Deconfiguration of a socket means that the EMS issues a firmware call, marking the socket for deconfiguration on the next system boot. On the next system boot, none of the cores in the target socket are visible to either the OS in standalone mode or the OS instances of the virtual partitions. The deconfiguration is persistent across system boots.

Note here two items:

- a deactivation of a CPU does not mean a deconfiguration of its socket. The CPU Monitor is able to determine whether the CPU needs to be deactivated or whether it needs to take further action and deconfigure the socket.
- reboot of a virtual partition is not the same as a reboot of the system (the entire box or nPartition).

The exceptions to the deactivation of CPUs are the boot processor of each OS instance (the boot processor has a logical instance of zero) and the last CPU in a cell or nPartition. The exception to the deconfiguration of sockets is that the last remaining socket will not be deconfigured (otherwise, the system could not boot).

If any spare iCAP (formerly known as iCOD) or PPU CPUs are available, the necessary number of CPUs will be activated to replace the CPUs deactivated.



NOTE: On a vPars system, for bound CPUs, the virtual partition boots with the CPU marked for deconfiguration. For unbound CPUs, the vPars Monitor will attempt to replace the marked CPUs with a working CPU; however, if no working CPUs are available, the vPars Monitor automatically reduces the unbound CPU number for that virtual partition in the vPars database and allows the virtual partition to boot with the working CPUs.

Dual-core processors have two CPUs (that is, cores) per processor. Deactivation happens on a CPU level, but deconfiguration happens at the socket level. If a processor's socket is deconfigured, both CPUs sharing the socket will be unavailable.

9 nPartition Operations

This section briefly covers nPartition operations when vPars are in an nPartition. For complete information on nPartitions, see the nPartition document *nPartition Administrator's Guide* available at <http://docs.hp.com>.

Basic Conceptual Points on using vPars within nPartitions

- Only one vPars Monitor is booted per nPartition.
- Virtual partitions exist within an nPartition, but they cannot span across nPartitions.
- Each virtual partition within a given nPartition can be assigned a subset of only the hardware assigned to the nPartition. Furthermore, only the *active* hardware assigned to the nPartition can be used by the virtual partitions within the nPartition.
- nPartitions remain isolated from other nPartitions, regardless of whether vPars is installed. You can have virtual partitions installed within an nPartition without affecting the other nPartitions.
- Note: unlike the rp7400/N4000, on a Superdome and other nPartition servers, the first element of the hardware path of the `ioscan` output is the cell number.

For example, on the rp7400/N4000 the `ioscan` output shows:

```
0/0          ba          Local PCI Bus Adapter (782)
```

However, on a Superdome, the first element of the hardware path is the cell number. So, if the cell number is 4, the `ioscan` output shows:

```
4/0/0       ba          Local PCI Bus Adapter (782)
```

nPartition Information

- The vPars database is entirely separate from the nPartition complex profile data. Therefore, a change in the vPars partition database does not change any complex profile data. For an example on changing information in both the vPars partition database and the nPartition complex profile, see “Using Primary and Alternate Paths with nPartitions” (page 161).
- For a given nPartition, the *Virtual Front Panel* (VFP) displays an OS heartbeat whenever at least one virtual partition within the nPartition is up.
- All vPars within an nPartition share the same console device. For a given nPartition, this is the nPartition’s console. For more information on the console and console logs, see “Virtual Consoles” (page 32) and “nPartition Logs” (page 35).
- If you make an nPartition change where a *Reboot for Reconfiguration* is required, all the virtual partitions within the nPartition need to be shutdown and the vPars Monitor rebooted in order for the reconfiguration to take effect.
- Once the *BIB* (Boot-Is-Blocked) state is set in the nPartition, virtual partitions will not be able to boot up until all the virtual partitions have been shutdown and the vPars Monitor rebooted. In other words, once there is a *pending* Reboot for Reconfiguration within the given nPartition, no virtual partitions can be rebooted until all the virtual partitions within the given nPartition are shut down and the involved vPars Monitor is rebooted. This implies that the target virtual partition of the `vparload`, `vparboot`, and `vparreset` commands will not boot until all virtual partitions within the nPartition have been shut down and the vPars Monitor is rebooted.
- If any of the following conditions occur, the OS must be booted in nPars mode:
 - An nPartition is reconfigured, by adding, deleting, or moving CPUs or cells,
 - The nPartition’s NVRAM is cleared, or
 - Hyperthreading is turned on for the first time.

- For more information on using the `-R` and `-r` options of the shutdown and reboot commands used in a Reboot for Reconfiguration, see “shutdown and reboot commands” (page 24).
- For more information, see “Shutting Down or Rebooting the nPartition (Or Rebooting the vPars Monitor)” (page 156) and the vPars Monitor command “reboot [mode]” (page 133).

Setting Hyperthreading (HT ON/OFF) and `cpuconfig` Primer

This section describes how to set HT ON/OFF for the latest dual-core processors which offer this feature.

For complete information on hyperthreading and `cpuconfig`, see the document *nPartition Administrator’s Guide*.



NOTE: vPars and HT ON/OFF

- HT ON/OFF should be set using the EFI shell’s `cpuconfig` command. An alternative method is to use the vPar Monitor’s `threads` command. Using `setboot` from within a vPars environment is not supported.
- Although hyperthreading is supported within vPars, CPU assignments to virtual partitions remain on a per core basis and not on a logical CPU (LCPU) basis.
- HT ON is not supported in a mixed HP-UX 11i v2/v3 vPars environment.
- HT ON is not supported in a mixed HP-UX 11i v1/v2/v3 vPars environment.

vPars Monitor

- **to show the current HT state of the CPUs** `threads` without any options will show the current state of HT ON/OFF (in other words, whether hyperthreads are turned on or off):

```
MON> threads
HyperThreading is currently OFF
HyperThreading will be OFF after the next nPar reboot
```

- **to turn HT ON after the next nPar reboot:**

```
MON> threads on
HyperThreading is now set to be ON after the next reboot
MON> threads
HyperThreading is currently OFF
HyperThreading will be ON after the next nPar reboot
```

- **to turn HT OFF after the next nPar reboot:**

```
MON> threads off
HyperThreading is now set to be OFF after the next reboot.
```

`cpuconfig`

- **to show the current state of the CPUs, including HT ON/OFF** `cpuconfig` without any options will show the current state of HT ON/OFF (in other words, whether hyperthreads are turned on or off):

```
Shell> cpuconfig
```

```
PROCESSOR MODULE INFORMATION
```

Cell	Cab/ Cell Slot/ CPU Module	# of Logical CPUs	Speed	L3 Cache Size	L4 Cache Size	Family/ Model (hex.)	Processor Rev	State
1	0/1/0	2	1.4 GHz	6 MB	None	20/00	C0	Active

CPU threads are turned off.

- **to show only the state of the threads:**

```
Shell> cpuconfig threads  
cpuconfig: Threads are turned off.
```

- **to turn HT ON:**

```
Shell> cpuconfig threads on  
cpuconfig: Threads will be on after a reset.
```

```
Shell> cpuconfig
```

PROCESSOR MODULE INFORMATION

Cell	Cab/ Cell Slot/ CPU Module	# of Logical CPUs	Speed	L3 Cache Size	L4 Cache Size	Family/ Model (hex.)	Processor Rev	State
1	0/1/0	2	1.4 GHz	6 MB	None	20/00	C0	Active

CPU threads will be on after a reset.

```
Shell> reset  
Shell> cpuconfig
```

PROCESSOR MODULE INFORMATION

Cell	Cab/ Cell Slot/ CPU Module	# of Logical CPUs	Speed	L3 Cache Size	L4 Cache Size	Family/ Model (hex.)	Processor Rev	State
1	0/1/0	4	1.4 GHz	6 MB	None	20/00	C0	Active

CPU threads are turned on.

```
Shell>
```

From here, you can boot the vPars Monitor:

```
Shell> fs0:  
fs0:\> hpux vpmmon
```

- **to turn HT OFF:**

```
Shell> cpuconfig threads off  
cpuconfig: Threads will be off after a reset.
```

```
Shell> cpuconfig
```

PROCESSOR MODULE INFORMATION

Cell	Cab/ Cell Slot/ CPU Module	# of Logical CPUs	Speed	L3 Cache Size	L4 Cache Size	Family/ Model (hex.)	Processor Rev	State
1	0/1/0	2	1.4 GHz	6 MB	None	20/00	C0	Active

CPU threads will be off after a reset.

```
Shell> reset  
Shell> cpuconfig
```

PROCESSOR MODULE INFORMATION

Cell	Cab/ Cell Slot/ CPU Module	# of Logical CPUs	Speed	L3 Cache Size	L4 Cache Size	Family/ Model (hex.)	Processor Rev	State
1	0/1/0	4	1.4 GHz	6 MB	None	20/00	C0	Active

CPU threads are turned off.

From here, you can boot the vPars Monitor:

```
Shell> fs0:
fs0:\> hpux vpmon
```

Rebooting and Reconfiguring Conceptual Points

- If there is a pending Reboot for Reconfiguration for the involved nPartition, no virtual partitions will be rebooted until all the virtual partitions within the given nPartition are shut down and the involved vPars Monitor is rebooted. This implies that the target virtual partition of the `vparload`, `vparboot`, and `vparreset` commands will not boot until all virtual partitions within the nPartition have been shut down and the vPars Monitor is rebooted.
- For more information on using the `-R` and `-r` options of the `shutdown` and `reboot` commands used in a Reboot for Reconfiguration, see “[shutdown and reboot commands](#)” (page 24).
- For more information, see “[Shutting Down or Rebooting the nPartition \(Or Rebooting the vPars Monitor\)](#)” (page 156) and the vPars Monitor command “`reboot [mode]`” (page 133).
- If you make an nPartition change where a Reboot for Reconfiguration is required, all the virtual partitions within the nPartition need to be shutdown and the vPars Monitor rebooted in order for the reconfiguration to take effect.

Reconfiguring the nPartition

You must perform a Reboot for Reconfiguration on an nPartition in the following circumstances:

- whenever you add cells to the nPartition
- whenever you need to allow an inactive cell to join the nPartition (such as after changing a cell use-on-next-boot value from “n” to “y”).
- whenever you remove active cells from the nPartition

When the nPartition reboots from a Reboot for Reconfiguration, variables are written by the HP-UX kernel in nPar mode. Some of these variables contain the most recent information about the cells.

The vPars Monitor reads these variables when it boots. If a Reboot for Reconfiguration of the nPartition has not been performed, the vPars Monitor does not receive the most recent information about the cells, and an error will occur.

For information on performing a Reboot for Reconfiguration, see “[Rebooting and Reconfiguring Conceptual Points](#)” (page 268) as well as “[Reconfiguring an nPartition \(Integrity\)](#)” (page 269) for Integrity systems, and “[Reconfiguring an nPartition \(PA-RISC\)](#)” (page 270) for PA-RISC systems.

Reconfiguring an nPartition (Integrity)



NOTE: On an Integrity server, the OS kernel in nPars mode needs to write the new CPU mapping data to certain EFI variables; in order for this to occur properly, a complete reboot in nPars mode is required *after* the `parmodify` operation has taken affect.

From nPars mode:

1. Perform the changes as you would in a non-vPars environment. For example, if we want to add cell 6 to partition 0:

```
keira# parmodify -p0 -a 6:base:y:ri
In order to activate any cell that has been newly added, reboot the partition with the -R option.
Command succeeded.
```

2. Perform a Reboot for Reconfiguration from a virtual partition. For example,

```
keira# shutdown -R
```

Do *not* put the nPartition into vPars mode; you will need to perform an additional reboot into nPars mode.

3. Allow the system to reboot into nPars mode. Once this is successful, the OS kernel automatically will write the correct CPU mapping data to EFI. Now you can reboot the nPartition back into vPars mode and reboot the vPars Monitor.

```
keira# vparenv -m vPars
keira# shutdown -r
...
fs0:\EFI\HPUX> boot vpmon
...
```

From vPars mode:

1. Perform the changes as you would in a non-vPars environment. For example, if we want to add cell 6 to partition 0 for the next boot of the vPars Monitor:

```
keiral# parmodify -p0 -a 6:base:y:ri
In order to activate any cell that has been newly added, reboot the partition with the -R option.
Command succeeded.
```

2. Perform a Reboot for Reconfiguration from a virtual partition. For example,

```
keiral# vparstatus
keiral# shutdown -R -H
```

At this point, the nPartition is in the Boot-Is-Blocked (BIB) state. Note that once the nPartition is in the BIB state, `vparstatus` shows the following message in the remaining virtual partitions:

Note: A profile change is pending. The hard partition must be rebooted to complete it.

3. Shutdown all the other virtual partitions. For example, on keira2:

```
keira2# shutdown -h
...
Transition to run-level0 is complete.
Executing "/sbin/reboot-R ".
Note: If this is a partitionable system, the requested reconfiguration will not
take place until all the virtual partitions on this hard partition are shut down
and the virtual partition Monitor is rebooted.
```

```
Shutdown at 16:19 (in 0 minutes)
```

This should bring you to the vPars Monitor prompt (MON>)

4. From the vPars Monitor prompt, boot the nPartition into nPars mode:

```
MON> reboot nPars
```

Allow the nPartition to boot into nPars mode. If autoboot is not setup, perform the boot into nPars mode manually when the system comes up:

```
Shell> fsN:
fsN:\> efi\hpux\hpux /stand/vmunix
```

5. Once the system boots into nPars mode, the OS kernel automatically will write the correct CPU mapping data to EFI. Now you can reboot the nPartition back into vPars mode and reboot the vPars Monitor.

```
keira# vparenv -m vPars
keira# shutdown -r
...
fs0:\EFI\HPUX> boot vpmon
...
```

Reconfiguring an nPartition (PA-RISC)

For the following example, the virtual partitions keira1 and keira2 exist within the nPartition 0. Only relevant output is shown.

1. Perform the changes as you would in a non-vPars environment. For example, if we want to add cell 6 to partition 0:

```
keira1# parmodify -p0 -a 6:base:y:ri
In order to activate any cell that has been newly added, reboot the partition with the -R option.
Command succeeded.
```

2. Perform a Reboot for Reconfiguration from a virtual partition. For example,

```
keira1# vparstatus
keira1# shutdown -R
.
.
.
Transition to run-level0 is complete.
Executing "/sbin/reboot-R".
Note: If this is a partitionable system, the requested reconfiguration will not
take place until all the virtual partitions on this hard partition are shut down
and the virtual partition Monitor is rebooted.
```

```
Shutdown at 16:09 (in 0 minutes)
```

At this point, the nPartition is in the Boot-Is-Blocked (BIB) state. The virtual partition keira1 remains down until all the virtual partitions have been shutdown and the vPars Monitor rebooted.

Note also that once the nPartition is in the BIB state, vparstatus shows the following message:

```
Note: A profile change is pending. The hard partition must be rebooted to complete it.
```

3. Shutdown the other virtual partitions. For example:

```
keira2# vparstatus
keira2# shutdown -R
.
.
.
Transition to run-level0 is complete.
Executing "/sbin/reboot-R ".
Note: If this is a partitionable system, the requested reconfiguration will not
take place until all the virtual partitions on this hard partition are shut down
and the virtual partition Monitor is rebooted.
```

```
Shutdown at 16:19 (in 0 minutes)
```

At this point, all virtual partitions have been shut down. The vPars Monitor will reboot automatically. On the console, we would see the following message:

```
All partitions have halted. System will now reboot for reconfiguration.
```

and the beginning of the boot process for the nPartition:

```
Firmware Version 21.3
```

```
Duplex Console IO Dependent Code (IODC) revision 2
```

```
-----
(c) Copyright 1995-2002, Hewlett-Packard Company, All rights reserved
-----
```

Cell	Cab/ Slot	Cell State	Processor			Cache Size	
			#	Speed	State	Inst	Data
0	0/0	Idle	0A	1000 MHz	Idle	32 MB	32 MB
			0B	1000 MHz	Idle	32 MB	32 MB
			1A	1000 MHz	Idle	32 MB	32 MB
			1B	1000 MHz	Idle	32 MB	32 MB
			2A	1000 MHz	Idle	32 MB	32 MB
			2B	1000 MHz	Idle	32 MB	32 MB
1	0/1	Active	0A	1000 MHz	Active	32 MB	32 MB
			0B	1000 MHz	Idle	32 MB	32 MB
			1A	1000 MHz	Idle	32 MB	32 MB
			1B	1000 MHz	Idle	32 MB	32 MB
			2A	1000 MHz	Idle	32 MB	32 MB
			2B	1000 MHz	Idle	32 MB	32 MB

Primary Boot Path: 1/0/0/3/0.6
 Boot Actions: Go to BCH.

HA Alternate Boot Path: 1/0/0/3/0.6
 Boot Actions: Go to BCH.

Alternate Boot Path: 1/0/12/1/0.8
 Boot Actions: Go to BCH.

Console Path: 1/0/0/0/1.0

Putting an nPartition into an Inactive State and Other GSP Operations

1. If possible, gracefully shutdown all the virtual partitions within the target nPartition. For example:

```
keira1# vparstatus
keira1# shutdown -h
```

```
keira2# vparstatus
keira2# shutdown -h
```

2. On the console, you will arrive at the MON> prompt. From the vPars Monitor prompt, type **Ctrl-B** to enter into the GSP:

```
MON> ^B
GSP MAIN MENU:
CO: Consoles
VFP: Virtual Front Panel
CM: Command Menu
CL: Console Logs
SL: Show chassis Logs
HE: Help
X: Exit Connection
```

3. At the GSP prompt, enter into the Command Menu

```
GSP> cm
Enter HE to get a list of available commands
GSP:CM>
```

4. From the GSP Command Menu, perform the desired hard partition commands.

For example, to make the hard partition and its cells inactive, use the RR (Reset for Reconfiguration) command:

```
GSP:CM> rr
This command resets for reconfiguration the selected partition.
WARNING: Execution of this command irrecoverably halts all system
         processing and IO activity and restarts the selected partition
         in a way that it canbe reconfigured.
Do you want to reset for reconfiguration partition number 0? (Y/[N]) y
.
```

Configuring CLM for an nPartition

ILM memory can be re-configured to be CLM using the `parmodify` command. Then, you can assign existing available CLM to a virtual partition.

For complete information on CLM and configuring cells and nPartitions, see the *nPartition's Guide*.

parmodify syntax

The syntax for the `parmodify` command is

```
parmodify -pnPar_num -mcell:[type]:[use]:[fail][:clm]
```

where

nPar_num is the nPartition number

cell is the cell to be modified. this can be either the global format (`cell_number`) or hardware format (`cabinet/slot`)

type is the cell type. `base` is the only valid value and is the default.

use is the use-on-next-boot value. this is either a `y` or `n`. The default is `y`. Use `y` if the cell is to be an active member of the nPartition or `n` if the cell is to be an inactive member

fail is the cell failure usage. the only valid value is `ri` (reactivate with interleave) and is the default

clm is the amount of memory that will be configured as cell local memory for the cell. this value can either be an absolute (the default) or percentage value. The absolute value is a number, which represents the amount of memory in **gigabytes**; the percentage value is any number followed by the character `%`.

Example

- To configure 1 GB of memory as CLM on cell 6 of nPartition 0, the command is

```
# parmodify -p0 -m 6::::1
```

For the `parmodify` change to take effect, you need to reboot the nPartition. This can be done by `MON> reboot`.

Configuring CLM Notes



IMPORTANT: The HP-UX operating system does not support a 100% CLM configuration in an nPartition. Some memory must be configured as ILM to support HP-UX (whether in a vPars environment or not).

- It is possible that a server's NVRAM (non-volatile RAM) values for ILM and CLM can change due to a firmware update or a previous systems administrator. Verify the NVRAM values.
- Any memory that is not configured as CLM remains ILM.
- You need to be sure to leave enough ILM memory for your virtual partitions to boot, as specified in your vPars database. Also, on PA-RISC not all memory can be configured as CLM in an nPartition. You need to allow ILM memory for the vPars Monitor to boot and for all the OS kernels to boot; excluding the first granule, a portion of which is used by the vPars Monitor, there must be at least one entire granule that exists below the 2 GB limit for each virtual partition. These granules below the 2 GB limit are used by the kernel of each virtual partition.

- nPartition configuration rules limit the minimum amount of configured CLM memory for a cell. If you have any CLM on a cell, it must be at least 512 MB.
- When performing parmodify commands within a vPars environment, you will see only the cells that are within the nPartition running vPars. If you wish to add cells from outside the nPartition, you will need to be in standalone (PA-RISC) or nPars (Integrity) mode to see the other cells.



CAUTION:

- If you reduce the ILM amount below that configured for all the virtual partitions in your vPars database, one or more of the virtual partitions may not boot. Be sure that there is enough CLM and ILM configured in the nPartition so that the sum of ILM and CLM memory of all your virtual partitions does not exceed the ILM and CLM in the nPartition.
- New servers *should* be set with 100% ILM and 0% CLM. However, a firmware update or even another systems administrator can change these values. You should check your NVRAM configuration before configuring vPars. Also, if you need to set an equal amount of ILM across all cells (see the HP-UX Virtual Partitions Release Notes for A.04.01), you should set your NVRAM configuration to 100% ILM and 0% CLM, then perform the CLM calculations and operations to get the equal amounts of ILM.

To check the existing ILM/CLM configuration, use `parstatus`. For example, to check the ILM and CLM configuration in nPartition 2:

```
keira# parstatus -v -p 2
[Partition]
Partition Number      : 2
Partition Name       : Partition 2 - HPUX
Status               : Active
IP Address:
Primary Boot Path    : 12/0/3/1/0.0.0
Alternate Boot Path  :
HA Alternate Boot Path :
PDC Revision         : 3.66
IODCH Version        : ffff
Cell Architecture    : Itanium(R) -based
CPU Compatibility    : BCF-640
CPU Speed           : 1600 MHz
Core Cell           : cab1,cell4
Core Cell Choice [0] : cab1,cell4
Total Good Memory Size : 40.0 GB
Total Interleave Memory: 1.0 GB
Total Requested CLM   : 40.0 GB
Total Allocated CLM   : 39.0 GB
```

The `parstatus` output shows the current configuration of 1 GB ILM and 39 GBs of CLM. Assuming nPartition 2 consists of cells 12 and 14, to change values of ILM to 100% and CLM to 0%, set the value of CLM to 0% (any memory not configured as CLM becomes ILM):

```
keira# parmodify -p 2 -m 12::::0% -m 14::::0%
keira# shutdown -R
```

After the nPartition is rebooted, the `parstatus` output should show all memory configured as ILM:

```
keira# parstatus -v -p 2
[Partition]
Partition Number      : 2
Partition Name       : Partition 2 - HPUX
Status               : Active
IP Address:
Primary Boot Path    : 12/0/3/1/0.0.0
Alternate Boot Path  :
```

HA Alternate Boot Path :
PDC Revision : 3.66
IODCH Version : ffff
Cell Architecture : Itanium(R) -based
CPU Compatibility : BCF-640
CPU Speed : 1600 MHz
Core Cell : cab1,cell4
Core Cell Choice [0] : cab1,cell4
Total Good Memory Size : 40.0 GB
Total Interleave Memory: 40.0 GB
Total Requested CLM : 0.0 GB
Total Allocated CLM : 0.0 GB

10 Crash Processing and Recovery

Crashing and Recovery Processes

- Crash Processing
- Network and Tape Recovery
- Expert Recovery

Crash Processing

Crash processing for a virtual partition is similar to the crash processing of a non-vPars OS: the OS is quiesced, portions of memory are written to disk, and in the case of vPars, resources are released to the vPars Monitor.

When the vPars Monitor crashes, a vPars Monitor dump is created. By default, kernel dumps are not saved.

When there is a HPMC or MCA or when a TOC is issued, the virtual partitions are launched for crash processing. On PA-RISC, this occurs after saving the vPars Monitor dump, and on Integrity, this occurs before saving the vPars Monitor dump.

When you enter the crash user interface:

- To let the crash processing continue, do nothing.
- To enter the crash user interface, press any key on the console.



NOTE: HP recommends that you let crash processing continue.

Crash User Interface

If you enter the crash user interface, you will see messages similar to the following on the console:

```
Virtual Partition Activity at Time of Crash
partition 0 (vpar1):      active
partition 1 (vpar2):      active
partition 2 (vpar3):      inactive
```

The active partitions will be invoked to perform crash handling. A soft reset will then be generated to allow additional debugging.

```
TO OVERRIDE THIS BEHAVIOR, PRESS A KEY WITHIN 10 SECONDS....
```

```
CRASH PROCESS STOPPED.
```

Crash Command Menu

1. Examine memory contents
 2. Continue with default crash handling
 3. Cause Monitor crash dump to different device
 4. Soft reset the machine (memory preserved)
 5. Hard reset the machine (memory not preserved)
 6. Launch partition 0 (vpar1) for crash processing
 7. Launch partition 1 (vpar2) for crash processing
- ```
Enter number (1-7):
```

The menu choices mean:

1. displays memory from *<starting address>* for *<n>* 32-bit words. For example:

```
Enter Address: 0x1000 4
0x00001000 0x00000000 0x1200a000 0xaa400000 0x00000000
```

```
Enter Address: quit
```

2. continues with the default crash handling

3. (PA-RISC only) allows you to choose an alternate device to which the vPars Monitor dump is written. The alternate device must contain the pre-allocated file `/stand/vpmon.dmp`. The file `vpmon.dmp` is automatically created in `/stand` of a partition's boot disk by the vPars startup script.
4. soft resets the current hard partition<sup>4</sup>.
5. hard resets the current hard partition.
6. boots the specified virtual partition for crash processing
7. boots the specified virtual partition for crash processing

If you chose to invoke a virtual partition for crash processing or to examine memory contents, you will be returned to this menu after those actions are completed (assuming no new crash event is encountered).

## Directory Location and Filenames

On PA-RISC, the vPars Monitor dump is written to the pre-existing file called `/stand/vpmon.dmp`.

On Integrity, the vPars Monitor dump is written to a file called `vpmon.dmp` that is created in the EFI partition of the vPars Monitor boot disk. The file will be at `fsN:/efi/hpux/vpmon.dmp`.

When the virtual partition that owns the vPars Monitor boot disk is booted, the following files are created automatically in `/var/adm/crash/vpar` (where *n* is a number representing the *n*th occurrence of a dump):

|                          |                                                                           |
|--------------------------|---------------------------------------------------------------------------|
| <code>vpmon.n</code>     | copy of the executable image of the vPars Monitor at the time of the dump |
| <code>vpmon.dmp.n</code> | copy of the vPars Monitor dump file                                       |
| <code>summary.n</code>   | an analysis of the crash including PIM info for each processor            |



**NOTE:** On PA-RISC, the file `/stand/vpmon.dmp` is a special file. Do not delete, move, rename, or modify this file. If you need to look at the contents of the vPars Monitor dump file, use the `vpmon.dmp.n` file located in `/var/adm/crash/vpar`.

On PA-RISC, the vPars Monitor dump is not written if the virtual partition which owns the vPars Monitor boot disk has never been booted.

## vPars Monitor Dump Analysis Tool

Because the vPars Monitor is not a HP-UX kernel, you cannot use a kernel dump analysis tool to examine a vPars Monitor dump file. Contact your HP Support Representative to analyze the vPars Monitor dump file.

## Kernel Dumps

If a TOC (transfer of control) or HPMC (High Priority Machine Check) for the entire hard partition is generated, a kernel dump will not automatically be saved to `/var/adm/crash` for those partitions that have not previously had a kernel dump occur. You can save their dumps to `/var/adm/crash` by performing the following on each of those virtual partitions:

4. A soft reset (option 4) is not supported on a Superdome.

1. (11i v2 and above) Beginning with HP-UX 11i v2 and therefore vPars A.04, the savecrash processing has changed. Instead of copying the kernel file that was in use during the crash, the directory `/stand/crashconfig` is copied. Therefore, prior to executing the `crashconf` and `savecrash` steps below, create the `/stand/crashconfig` directory using

```
kconfig -s crashconfig
```

Or if the kernel configuration used in the last boot is different from the current kernel configuration, use the `-c` option. For example, if the saved kernel configuration is named `kc.custom`, the command is

```
kconfig -c kc.custom crashconfig
```

For more information on using the `kconfig` command, see the manpages `kconfig(5)` and `kconfig(1M)`

2. Obtain of list of dump devices, noting the `DEVICE` and `OFFSET` information:

```
crashconf -v
DEVICE OFFSET (kB) SIZE (kB) LOGICAL VOL. NAME

31:0X022000 314208 4194304 64:0X000002 /dev/vg00/lvol2
```

The `DEVICE` is `31:0X022000`, and the `OFFSET` is `314208`.

3. Map the device number from the `DEVICE` information to a device file:

```
ls -l /dev/dsk /dev/disk | grep "31.*022000"
brw-r----- 1 bin sys 31 0x022000 Oct 13 2001 c2t2d0
```

The corresponding device file is `/dev/dsk/c2t2d0`.

4. Using the `OFFSET` information and the device file, save the dump to `/var/adm/crash`:

```
savecrash -r -f -D /dev/dsk/c2t2d0 -O 314208
```

## Network and Tape Recovery

This section covers different methods of network and tape recovery on vPars systems. The following table lists the supported recovery methods on each vPars release.

**Table 10-1 Supported Recovery methods by vPars Release**

| Recovery Method                                                                               | A.03.xx                                       | A.04.xx                                                                                       | A.05.xx                                                                |
|-----------------------------------------------------------------------------------------------|-----------------------------------------------|-----------------------------------------------------------------------------------------------|------------------------------------------------------------------------|
| Network recovery within a vPars environment                                                   | yes                                           | yes                                                                                           | yes                                                                    |
| Tape recovery within a vPars environment                                                      | A.03.01/A.03.02: no<br>A.03.03 and later: yes | A.04.01/A.04.02: no<br>A.04.03 and later: yes (PA-RISC)<br>A.04.04 and later: yes (Integrity) | A.05.01 and later: yes (PA-RISC)<br>A.05.02 and later: yes (Integrity) |
| Tape recovery within a vPars environment, using a disk-based install kernel (dual-media boot) | yes                                           | yes                                                                                           | yes                                                                    |
| Tape recovery outside of a vPars environment                                                  | yes                                           | yes                                                                                           | yes                                                                    |

For information on performing a recovery using:

- `make_net_recovery` within a vPars-environment, see “Using `make_net_recovery` within a vPars Environment” (page 281)
- `make_tape_recovery` outside of a vPars-environment, see “Using `make_tape_recovery` Outside of a vPars Environment” (page 283)

- `make_tape_recovery` within a vPars-environment in conjunction with a disk-based Ignite-UX boot helper, see “Using `make_tape_recovery` and Dual-media Boot” (page 287)
- `make_tape_recovery` within a vPars-environment, see “Using `make_tape_recovery` within a vPars Environment” (page 289)
- golden images for recovery, see the white paper *Using Golden Images with Virtual Partitions*
- peripheral boot devices, see the white paper *Booting, Installing, Recovery, and Sharing in a vPars Environment from DVD/CDROM/TAPE/Network*
- Ignite-UX, including `make_net_recovery` and `make_tape_recovery`, see the manual *Ignite-UX Administration Guide* and the manpages `make_net_recovery(1M)` and `make_tape_recovery(1M)`.

The white papers listed above are available at the following area of the HP Technical Documentation website:

<http://docs.hp.com/en/vse.html#Virtual%20Partitions>



### Using `vparboot -I` with Ignite-UX on PA-RISC systems:

When using Ignite-UX version C.06.xx or later, note that the bootable kernel path has changed

- from `/opt/ignite/boot/WINSTALL` in Ignite-UX B.05.xx and earlier
- to `/opt/ignite/boot/Rel_B.11.NN/WINSTALL` in Ignite-UX C.06.xx and later

Thus, when using Ignite-UX C.06.xx or later, you must specify the absolute path for the bootable kernel for the `vparboot -I` command line.

For more information and an example, see “(PA-RISC only) The `WINSTALL` Boot Kernel Paths with Different Versions of Ignite-UX and the `vparboot -I` command” (page 21).

---



## Using make\_net\_recovery within a vPars Environment

### Archiving Virtual Partition

make\_net\_recovery works the same for making archives of both non-vPars and vPars systems.

### Recovering a Virtual Partition from a Running Virtual Partition

To recover a virtual partition, perform the following from a running virtual partition. (In these examples, the partition winona1 is running and the target partition winona2 is the partition being recovered.)

1. Record the following:
  - a. the autoboot attribute of the target partition using vparstatus. You may need to set it back to this state in the last step.

```
winona1# vparstatus -p winona2
[Virtual Partition]
```

```
Virtual Partition Name State Attributes
=====
winona2 Down Dyn,Manual
```

- b. the contents of the AUTO file in the LIF area of the primary boot disk pointed to by stable storage. Use the lifcp command to see the contents.
2. Set the TERM environment variable to hpterm. For POSIX shell, the command is

```
winona1# export TERM=hpterm
```

3. Boot the target partition and point the boot kernel to use your Ignite-UX server (assume the Ignite server's IP is ww.xx.yy.zz):

```
winona1# vparboot -p winona2 -I ww.xx.yy.zz,/opt/ignite/boot/WINSTALL
```

4. Run the Ignite-UX recovery as you would on a hard partition not running vPars, entering the data (boot disk and LAN) of the target partition.
5. After the target partition has been recovered:
  - a. if the autoboot attribute has been changed, set it back to what was recorded in the first step. For example, to set the autoboot attribute back to manual:
- b. if needed, set the AUTO file back to its original contents that were recorded in the first step using the lifrm and lifcp commands.

```
winona1# vparmodify -p winona2 -B manual
```

### Recovering All the Virtual Partitions of a Hard Partition

To recover all the virtual partitions within a hard partition, first recover the virtual partition whose boot disk is the disk set as the primary path within system-wide stable storage. Once the virtual partition is recovered, recover the other virtual partitions one by one. (There is no way to recover all partitions simultaneously.)

To recover the initial virtual partition:

1. From the BCH prompt, boot the hard partition using the Ignite-UX server (assume the Ignite server's IP is ww.xx.yy.zz):

```
BCH> bo lan.ww.xx.yy.zz install
interact with IPL? N
```

2. From the Ignite-UX window, select "Install HP-UX".
3. Enter the network data using the data for the virtual partition that owns the boot disk that is set as the primary path within system-wide stable storage.
4. Select Recovery Archive Configuration -> Go

After this virtual partition is recovered, recover the remaining partitions using the instructions in “Recovering a Virtual Partition from a Running Virtual Partition ” (page 281).

## Using `make_tape_recovery` Outside of a vPars Environment

The creation of `make_tape_recovery` tapes is supported on vPars-enabled servers.

However, for the vPars releases that do not support tape boot, recoveries using these tapes must be done outside of the vPars environment; they cannot be used to recover a system from within a virtual partition. For example, the tape cannot be used with the `vparboot -I` command on PA-RISC servers.



**NOTE:** The exception to this is using a dual-media boot. For information on using a dual-media boot, see “Using `make_tape_recovery` and Dual-media Boot” (page 287).

---

The following sections describe:

- archiving and recovering a virtual partition
- archiving and recovering a virtual partition using another virtual partition as the Ignite-UX server

### Assumptions

In the following example, it is assumed that the version of vPars in the tape archive is the same as that installed in the other virtual partitions. If the virtual partition being recovered owns the system or hard partition's primary boot path, and if changes have been made to the vPars configuration since `make_tape_recovery` was run, then the recovered vPars database (`/stand/vpdb`) will be out of date. If the recovered configuration is out of date, the recovery will require *one* of the following additional steps:

- Boot the vPars Monitor from an alternate boot disk with the current vPars database. When the recovered virtual partition is booted, the database will be synchronized with the current configuration.
- Recover an up-to-date database file from a backup before booting the vPars Monitor.
- Boot the vPars Monitor and the recovered partition, and then update the configuration with `vparmodify`, `vparcreate`, and `vparremove`.

## Archiving and Recovering a Virtual Partition

### Archiving the Virtual Partition(s)

This section describes how to create the recovery tape.

---



#### NOTE:

- To recover a single virtual partition from a tape, all active virtual partitions must be shutdown.

The exception to this is using a dual-media boot. For information on using a dual-media boot, see “Using `make_tape_recovery` and Dual-media Boot” (page 287).

- The `make_tape_recovery` command is not a backup utility. The virtual partition should be backed up separately. A well thought out backup strategy should be part of every recovery plan. Your normal backups may be required to recover the virtual partition. Test your recovery plan to make sure it works properly
- 

1. The virtual partition must have a tape drive attached, as it will be used in step 4 to boot the tape. The tape drive must be available to the nPartition at boot time.

```
make_tape_recovery -A -a /dev/rmt/1mn
```

The following is archived to tape when `make_tape_recovery` is run:

- a. The data necessary to recover the virtual partition on a “cold” system (nothing running on it, including vPars). This includes the system filesystems (root, /stand, etc.)
  - b. The files required by vPars: the vPars Monitor (the default is /stand/vpmon) and the vPars database (the default is /stand/vpdb).
2. You must document the following information about the system (not the virtual partition) and must be available in hard copy or electronically in an accessible location not on the system itself.
    - a. The primary and alternate boot paths. You must get this information from the boot console handler (BCH). You cannot retrieve this information via the `setboot` command from a virtual partition.
    - b. The contents of the AUTO file in the boot LIF. An example is `lifcp /dev/rdisk/<dev>:AUTO` - where `/dev/rdisk/<dev>` is the boot device for the system, the primary boot path in part (a). Note: If you attempt this within a virtual partition you must do it from the virtual partition that has access to the device, as only one virtual partition will be able to see it.

### Recovering the Virtual Partition(s)

3. Shutdown all virtual partitions and reset the nPartition.
4. Boot the `make_tape_recovery` tape created in step 1 in the nPartition. Note that nothing is running in the nPartition. You are booting without vPars at this point.
5. Once the recovery tape has completed recovering the system, you will still be running without vPars. To re-enable vPars perform the following steps:
  - a. Correct the primary and alternate boot paths if necessary by using `setboot`. This works at this step because vPars is not active.
  - b. Correct the autoboot setting if necessary (`mkboot -a "string" /dev/rdisk/<dev>:AUTO` where `/dev/rdisk/<dev>` is the boot device for the system and “string” is the contents of the AUTO file from step 2b above. The device file name may be different from that found in step (2)(a).
6. Reboot the nPartition. The vPars Monitor will start automatically if step 5 completed correctly. Any virtual partition that has been defined to autoboot will boot at this stage. You may have to manually start any virtual partitions not configured to autoboot. The vPars Monitor will

only start automatically if the AUTO file was originally configured to do so. If not, you will boot up in standalone mode.

7. Once the virtual partition has started you can complete any other recovery of application data, or other virtual partitions.

## Archiving and Recovering a Virtual Partition Using Another Virtual Partition as the Ignite-UX Server

### Archiving the Virtual Partitions Using a Virtual Partition as the Ignite-UX Server

The following steps describe how one or more virtual partitions can be archived using `make_tape_recovery`. These first steps describe how to create a disaster recovery tape.

1. One of the virtual partitions is an Ignite server. Its root disk is the one that is booted first, when the vPars Monitor is booted. It has the vPars Monitor (`/stand/vpmon`) and the vPars database (`/stand/vpdb`) that is used to bring up virtual partitions in the nPartition. It must also have a tape drive which will be used by `make_tape_recovery` in step (3). This tape drive will also be used in step (4) to boot the tape created in step (3) thus it must be available to the nPartition at boot time.
2. The Ignite server makes recovery tapes of all the other virtual partitions using `make_net_recovery`. This is done when the Ignite server is running in a virtual partition, archiving the other virtual partitions while they are running.
3. The Ignite server makes a recovery tape of the system it is running on using `make_tape_recovery` and “normal” filesystem recovery tapes. This is performed while the Ignite server is running in a virtual partition. It allows the Ignite server to archive itself while the other virtual partitions are running production work. The tape created by `make_tape_recovery` in this step will have:
  - The data necessary to recover the Ignite server on a “cold” system (nothing running on it, including vPars).
  - The files required by vPars: the vPars Monitor (`/stand/vpmon`) and the vPars database (`/stand/vpdb`).
  - The files created in step (2) by `make_net_recovery`. These files will be used to recover the other virtual partitions in step (8).
  - Normal filesystem recovery archive of the Ignite server.

### Recovering the Virtual Partitions Using one of the Virtual Partitions as the Ignite-UX Server

4. The nPartition must have a tape drive available to boot from. Note that nothing is running in the nPartition. Boot the `make_tape_recovery` tape created in step (3) in an nPartition. The system is being booted without vPars at this point.
5. Recover the Ignite server that was archived to tape in step (3). This is done using the `make_tape_recovery` tape that was booted in step (4) along with normal filesystem recovery.
6. Reboot the nPartition, this time using the root disk that was recovered in step (5). Stop at the `MON>` prompt.
7. Use `vparload` at the `MON>` prompt to load the virtual partition recovered in step (5). This is the Ignite server.
8. Use `vparboot -I` to recover the other virtual partitions using the `make_net_recovery` files created in step (2).
9. There may be normal filesystem recoveries that need to be done to fully recover the virtual partitions after they are booted in step (8).
10. Modify the autoboot string (using `mkboot -a . . .`) so that the virtual partitions will autoboot at the next system boot.
11. Reboot the nPartition to test if all the virtual partitions come up as expected.

## Using `make_tape_recovery` and Dual-media Boot

A dual-media boot allows you to boot the target partition using another disk and then recover using the tape device. Currently with Ignite-UX, you cannot boot over the network and then recover from tape; you must boot from a disk device.

### Setting Up a Disk for Dual-Media Recovery



---

**IMPORTANT:** Dual-media recovery is only supported if you boot the install kernel from the same version of Ignite-UX that was used to create the recovery tape. HP does not support using mismatched versions of Ignite-UX.

---

Before attempting a dual-media recovery, you must set up a disk that contains the Ignite-UX install kernels. You can do this in one of the following ways:

- If the virtual partition to be recovered is up, run `bootsys` from your Ignite-UX server. Do not reboot the partition immediately. Confirm that the boot path and the kernel to be loaded (`/stand/WINSTALL` for PA-RISC servers and `/stand/IINSTALL` for Integrity servers) have been set correctly, as the `bootsys` command has limited support for vPars. If they are not correct, use `vparmodify` to correct them. You can also shut the system down and boot the vPar using the Ignite-UX install kernel explicitly, for example:

```
winona1# vparboot -p winona2 -B io_hw_path -b /stand/WINSTALL
```

- Alternatively you can manually place the install kernel and file system from Ignite-UX in `/stand` (`WINSTALL` and `WINSTALLFS` for PA-RISC servers and `IINSTALL` and `IINSTALLFS` for Integrity servers), then use `vparboot` to boot from the install kernel.
- If the system has a Fibre Channel interface that supports boot, and you have an unused Fibre Channel LUN available, you can create a minimal CD/DVD boot image using the procedure in the “How do I create the CD equivalent of a tape created by `make_boot_tape`?” section of the *Ignite-UX Custom Configuration Files* manual available at:

<http://www.docs.hp.com/en/IUX/infolib.html>

Once you have created the image you can `dd` it onto the Fibre Channel LUN and then boot from the FC LUN using the following command from another vPar:

```
winona1# vparboot -p winona2 -B io_hw_path -b :WINSTALL
```

- If the virtual partition contains a DVD or CD drive, you can create a minimal CD/DVD boot image as described in the *Ignite-UX Custom Configuration Files*, burn it to a CD or DVD, and boot from that. Alternatively, you can boot the virtual partition from your OE media (assuming it has the same version of Ignite-UX on it as the tape was created with).

### Recovering the Virtual Partition



---

**NOTE:** The target virtual partition (the partition that is being recovered) must own a tape device.

---

1. Make sure the target virtual partition is in the down state. For example, if it is up, shutdown the virtual partition:

```
winona2# shutdown -hy 0
```

2. Boot the virtual partition. The exact `vparboot` command line depends on how you set up the install kernels. For example, if you used `bootsys`, use this command:

```
winona1# vparboot -p winona2 -B hardware_path -b /stand/WINSTALL
```

3. When the main Ignite-UX menu is displayed, select `Install HP-UX`.

4. When the User Interface and Media Options screen is displayed, select Media only installation from the Source Location Options, and Advanced Installation from User Interface Options, then select OK.
5. From the Media Installation Selection, select Boot from CD/DVD, Recover from Tape. Note that there does not need to be a CD or DVD in the server. Select OK.
6. From the Tape Drive Selection menu, select the appropriate tape drive, and press the Enter. Once you enter the Ignite-UX itool screen, proceed as normal with the recovery.



## Using `make_tape_recovery` within a vPars Environment

For PA-RISC servers, vPars supports tape drives beginning with vPars A.03.03 for HP-UX 11i v1, vPars A.04.03 for HP-UX 11i v2, and vPars A.05.01 for HP-UX 11i v3. This includes recovery of a virtual partition within a vPars environment and without using an Ignite-UX server as a boot helper.

For HP Integrity servers, vPars supports tape drives beginning with vPars A.04.04 for HP-UX 11i v2, and vPars A.05.02 for HP-UX 11i v3, including recovery of a virtual partition within a vPars environment and without using an Ignite-UX server as a boot helper.

### Requirements and the `BOOT` Attribute

To use the tape device during a recovery, you must meet the following requirements:

- The tape device must be owned by the target virtual partition (the partition that is being recovered).
- The tape drive must be connected through an external SCSI device or be internal to the machine.
- On PA-RISC systems, the tape device must be an explicitly specified resource with the attribute `TAPE`. The `TAPE` attribute is not specified on HP Integrity systems.

This is similar to specifying the boot device with the attribute `BOOT`. For example, on a PA-RISC system:

```
vparcreate -p winona2 -a io:1/0/14/0/0/4/0.5.0:TAPE
```

or

```
vparmodify -p winona2 -a io:1/0/14/0/0/4/0.5.0:TAPE
```

Note that when modifying `io` resources, the target virtual partition must be in the down state.

On PA-RISC systems, the `vparstatus -v` command should show the tape device with the `TAPE` attribute:

```
vparstatus -p winona2 -v
[Virtual Partition Details]
Name: winona2
.
.
.
[IO Details]
 1.0.14
 1.0.12
 1.0.14.0.0.4.0.10.0.0.0.0.0.0.0 BOOT
 1.0.14.0.0.4.0.5.0.0.0.0.0.0.0.0 TAPE
.
.
.
```

### Archiving

The process of creating an archive is the same as for non-vPars OS instances:

```
make_tape_recovery -A -a /dev/rmt/lmn
```

### Recovering

To begin recovery, specify the `-B TAPE` option to boot the target virtual partition using a tape drive:

```
winona1# vparboot -p winona2 -B TAPE
```

On HP Integrity systems, all tape devices assigned to the virtual partition are listed. Select the one from which to boot. On PA-RISC systems, the tape device specified with the `TAPE` attribute is booted.

Then proceed with the recovery as normal.



**NOTE:** The system may appear but is actually not hung when booting from tape due to the increased time it takes to load a kernel from tape instead of from disk.

---

## Expert Recovery

When you are performing Expert Recovery, you need to remember the following:

- You can no longer read from or write to system-wide stable storage using `setboot`. See “Setboot and System-wide Stable Storage” (page 157).
- `mkboot` modifies the LIF area, but vPars does not use the LIF area to boot a virtual partition. See “mkboot and LIF files” (page 23) and “The AUTO File on a Virtual Partition” (page 163).
- When you need to use boot options (for example, `-i s` for single-user mode or `-l m` for LVM maintenance mode), see the sections “Booting a Virtual Partition” (page 154) and “Other Boot Modes” (page 167).
- The HP-UX shell commands `shutdown` and `reboot` apply to the OS instance of a virtual partition and do not shutdown or reboot the vPars Monitor.
- There is no way to halt the hard partition from the `MON>` prompt. See “Shutting Down or Rebooting a Virtual Partition” (page 154).

---

# 11 vPars Flexible Administrative Capability

This chapter discusses the concepts and tasks on using the vPars Flexible Administrative Capability feature (formerly called Primary-Admin vPars Security). With this feature, you can specify vPars administration capabilities for zero, one, or more designated virtual partitions. Only superusers within the designated virtual partitions can perform the vPars administration commands that affect other virtual partitions; a superuser within a non-designated virtual partition can perform only operations that affect itself.

Additionally, for this flexible administrative capability to work, all the virtual partitions must be running the same version of vPars, except in the case of a mixed HP-UX 11i vPars environment (such as a mixed HP-UX 11i v2/v3 vPars environment).

Flexible administrative capability is supported for vPars A.03.03 and later, vPars A.04.02 and later, and vPars A.05.01 and later.

Flexible administrative capability is supported in mixed HP-UX 11i vPars environments. However, HP recommends that in mixed environments the designated administrative virtual partitions be ones that are capable of performing all administrative functions. For example, in a mixed HP-UX 11i v2/v3 vPars environment only the HP-UX 11i v3 partitions (running vPars A.05.xx) can perform `vparmodify`, `vparremove`, and `vparcreate` operations on other partitions. If only the HP-UX 11i v2 partitions were designated administrative partitions, then vPars administration abilities would be limited for that environment.



## NOTE:

**Applying RBAC to vPars A.04.01 White Paper** You can apply the existing HP-UX Security feature RBAC (Role-based Access Control) to vPars A.04.01. For information, see the white paper titled *Securing Virtual Partitions with HP-UX Role-Based Access Control* available at <http://docs.hp.com>.

**HP-UX Security and other Security Applications** This feature is not intended to replace existing HP-UX security or security applications. It provides as a way to limit intentional access but is not intended to substitute security or security application that eliminate malicious or unintentional circumvention of commands or provide kernel level security isolation. This feature is intended to address tighter vPars administration control requirements in certain customer deployments.

---

## Synopsis

The vPars *Flexible Administrative Capability* feature restricts the usage of specific vPars commands such that they can be successfully executed from only designated virtual partitions.

The specific vPars commands that are restricted are those that can alter other virtual partitions, such as `vparmodify` or `vparreset`.

The designated virtual partitions are known as *designated-admin virtual partitions* and are designated by being explicitly added to the designated-admin virtual partitions list. Virtual partitions that are not in the list are considered *non-designated-admin virtual partitions*. When a superuser executes a command that affects another partition from within a non-designated-admin virtual partition, the command will fail.

When the flexible administrative capability feature is ON (enabled), a virtual partition can be added to (or deleted from) the list from either the vPars Monitor prompt without a password or the HP-UX shell prompt by superusers who know the flexible administrative capability password.

The flexible administrative capability feature can be set to either ON (enabled) or OFF (disabled) but only from the vPars Monitor prompt (MON>).

## Terms and Definitions

target partition

This is the virtual partition that is affected when a vPars command is executed. For example, in the command:

```
vparmodify -p winona2 -a cpu::1 ...
```

an attempt is made to add a CPU to winona2, so winona2 is the target virtual partition. The argument of the -p option is the target partition.

local partition

This is the virtual partition from which a vPars command is executed. For example, in the command:

```
winona1# vparmodify -p winona2 -a cpu::1
```

assuming the HP-UX shell prompt contains the hostname, the vparmodify command is executed from winona1, so winona1 is the local virtual partition. winona2 is the target partition.

designated-admin virtual partition

This is a virtual partition that is allowed to perform vPars commands that affect other virtual partitions. For example, assume the flexible administrative capability feature is ON and the following command is executed:

```
winona1# vparmodify -p winona2 -a cpu::1
```

Because this command affects another virtual partition (winona2), the local virtual partition winona1 must be a designated-admin virtual partition in order for this command to be successful.



**CAUTION:** In a mixed HP-UX 11i v2/v3 vPars environment, or a mixed HP-UX 11i v1/v2/v3 vPars environment, the vparcreate and vparremove operations can only be performed from the vPars A.05.xx virtual partitions; vparmodify operations affecting other virtual partitions can only be performed from the vPars A.05.xx virtual partitions.

When the flexible administrative capability is ON (enabled), setting only vPars A.04.xx (or only vPars A.03.xx) virtual partitions as designated-admin virtual partitions is not recommended.

For example, in a mixed HP-UX 11i v2/v3 vPars environment or a mixed HP-UX 11i v1/v2/v3 vPars environment, if all the designated-admin virtual partitions are vPars A.04.xx virtual partitions, no partitions will be able to perform vparmodify, vparremove, or vparcreate operations on other partitions.

non-designated-admin virtual partition

This is a virtual partition that is *not* allowed to perform vPars commands that affect other virtual partitions. For example, assume the flexible administrative capability feature is ON and the following command is executed:

```
winona1# vparmodify -p winona2 -a cpu::1
vparmodify: Error: Only Designated-Admin virtual partitions can
perform this operation on winona2.
```

Because this command affects another virtual partition (winona2), if the local virtual partition winona1 is a not a

|                                             |                                                                                                                                                                                                                                                                                                                                                                                                                                                                                                                                                                                                                                                                                                                                                                           |
|---------------------------------------------|---------------------------------------------------------------------------------------------------------------------------------------------------------------------------------------------------------------------------------------------------------------------------------------------------------------------------------------------------------------------------------------------------------------------------------------------------------------------------------------------------------------------------------------------------------------------------------------------------------------------------------------------------------------------------------------------------------------------------------------------------------------------------|
| designated-admin virtual partition list     | <p>designated-admin virtual partition, the command will not be successful.</p> <p>This is the list of virtual partitions that are currently set as designated-admin virtual partitions. If a virtual partition is in this list or added to this list, it is a designated-admin virtual partition. If a virtual partition is not in this list or is deleted from this list, it is a non-designated-admin virtual partition. How to add or delete virtual partitions from this list is discussed in a later section.</p> <p>Whenever the flexible administrative capability mode is set to ON, the designated-admin virtual partition list will be empty.</p>                                                                                                               |
| flexible administrative capability mode     | <p>When this mode is set to ON, only designated-admin virtual partitions are allowed to successfully execute vPars commands that affect other partitions. For example, in the command:</p> <pre>winona1# vparmodify -p winona2 -a cpu::1</pre> <p>this command will check whether the local virtual partition (winona1) is a designated-admin virtual partition or if the target partition is the local partition. If either condition is true, the command is executed. If not, the command is denied execution. How to set the mode is discussed in a later section.</p>                                                                                                                                                                                                |
| flexible administrative capability password | <p>By default, the flexible administrative capability mode is OFF.</p> <p>From the vPars Monitor prompt, when setting the flexible administrative capability mode to ON, you will be prompted to set a flexible administrative capability password.</p> <p>From the HP-UX shell, if a superuser attempts to add or delete a virtual partition from the designated-admin virtual partition list, the superuser will be prompted for the flexible administrative capability password that was set.</p> <p>When the flexible administrative capability mode is OFF, there is no flexible administrative capability password.</p> <p>This designated administration feature relies on high quality passwords that are not easily guess-able, so choose a password wisely.</p> |

## Flexible Administrative Capability Commands

The flexible administrative capability commands are:

- `monadmin` executed from the vPars Monitor (MON>)
- `vparadmin` executed from the HP-UX shell

### `monadmin`

`monadmin` is a vPars Monitor command that allows you to

- display whether the vPars flexible administrative capability feature is ON (enabled) or OFF (disabled)
- set or reset the flexible administrative capability mode
- specify a virtual partition to be added or deleted to or from the designated-admin virtual partition list
- list which virtual partitions are currently in the designated-admin virtual partition list (in other words, are set as designated-admin virtual partitions)

### Basic Syntax and Usage

```
monadmin [-S on|off] | [-a|-d partition_name] | [-l]
```

-S on|off

- Sets the flexible administrative capability mode either ON (enabled) or OFF (disabled).
  - ON and OFF are not case-sensitive.
  - The flexible administrative capability mode can be set only at the vPars Monitor prompt (MON>).
  - By default, the mode is OFF.

When the mode is set to ON, the list of designated-admin virtual partitions is empty, regardless of any previous settings. Therefore, when the flexible administrative capability mode is set to ON, all virtual partitions are non-designated-admin virtual partitions regardless of whether it is running or not and regardless of its state during the previous time the mode was set to ON. Because the designated-admin virtual partition list is empty when the mode is set to ON, you will need to add any virtual partitions you wish to be designated-admin virtual partitions to the designated-admin virtual partition list every time you set the mode to ON. You can add or delete virtual partitions to or from the designated-admin virtual partition list from either the vPars Monitor prompt using `monadmin` (MON> `monadmin`) or the HP-UX Shell prompt using `vparadmin` (# `vparadmin`). `vparadmin` is discussed in the next section.

This process allows you to change the mode at the MON> prompt and maintain a deterministic setting for the virtual partition even if virtual partitions are running.

When the mode is set to ON, `monadmin` will prompt for a new password. (If the mode is already ON, you will receive a message stating that you already having enabled the flexible administrative capability.)

When the mode is set to OFF, the above restrictions of the vPars command execution are turned off. It may appear that all virtual partitions are considered to be designated-admin virtual partitions. Once you set the mode to OFF, the designated-admin virtual partition list is deleted as well as the flexible administrative capability password.

-a|-d *partition\_name*

- Adds or deletes a virtual partition to or from the designated-admin virtual partition list. No flexible administrative capability password is required here; passwords are required only at the HP-UX shell prompt.

-l

- Lists all the virtual partitions that are currently in the designated-admin virtual partition list. When the mode is set initially to ON, the designated-admin virtual partition list will be empty, so all virtual partitions are non-designated-admin virtual partitions. You can use the `monadmin -a` to add virtual partitions to the list. Alternatively, at the HP-UX shell prompt, you can use `vparadmin -a` to add virtual partitions to the list.

### Without any options

- displays whether the vPars flexible administrative capability feature is ON (enabled) or OFF (disabled).



**NOTE:** The vPars Monitor prompt (MON>) is not protected. Any person who knows the GSP/MP login and password can access the console and therefore the MON> prompt. Using `monadmin`, the GSP/MP user can change the flexible administrative capability mode and the designated-admin virtual partition list. Console access is restricted using the GSP/MPs login and password.

---

## vparadmin

`vparadmin` is a vPars command that allows you to

- display whether the vPars flexible administrative capability feature is ON (enabled) or OFF (disabled)
- change the flexible administrative capability password
- specify a virtual partition to be added or deleted to or from the designated-admin virtual partition list
- list which virtual partitions are currently in the designated-admin virtual partition list (in other words, are set as designated-admin virtual partitions)

## Basic Syntax and Usage

```
vparadmin [-C] | [-a|-d partition_name] | [-l]
```

-C

- Changes the flexible administrative capability password. It will ask you for the existing password before allowing you to change it.

-a|-d *partition\_name*

- Adds or deletes a virtual partition to or from the designated-admin virtual partition list. You will need to provide the flexible administrative capability password.

-l

- Lists all the virtual partitions that are currently in the designated-admin virtual partition list. Use `vparadmin -a` to add virtual partitions to the list. Note that `vparstatus` does *not* show any flexible administrative capability information.

### Without any options

- displays whether the vPars flexible administrative capability is ON (enabled) or OFF (disabled).

## Persistence across vPars Monitor Reboots

If the flexible administrative capability mode is not changed from ON to OFF across vPars Monitor reboots and the specific conditions are met (see below), the flexible administrative capability mode will remain and the virtual partitions designated as designated-admin virtual partitions will remain as designated-admin virtual partitions. In other words, the flexible administrative capability mode and the designated-admin virtual partition list are persistent across vPars Monitor reboots when the following conditions are met:

- the disk from which the vPars Monitor is booted is owned by a virtual partition when flexible administrative capability changes are performed.
- the virtual partition in the above condition is up when flexible administrative capability changes are made

These conditions are required because the vPars Monitor cannot perform a write into the vPars database; only a running virtual partition can perform the write.

Therefore, persistence across vPars Monitor reboots will not be maintained under any of the following conditions:

- The vPars Monitor boot disk is not owned by any of the virtual partitions or no virtual partitions are rebooted from the same disk. In this case, the vPars database of the vPars Monitor's boot disk will not be updated.
- All virtual partitions are down such that any flexible administrative capability changes cannot be written to the vPars database.
- The virtual partition whose boot disk is the disk from which the vPars Monitor is booted is down when flexible administrative capability changes are made.



## vPars Commands

When the flexible administrative capability mode is ON, the vPars flexible administrative capability feature restricts the vPars commands such that you can alter another virtual partition only if you execute the command from a partition that is in the designated-admin virtual partition list. When you execute the command from a non-designated-admin virtual partition, if the command alters another virtual partition, it will not be allowed. (A.03.03 only: this is true even if the vPars commands are applied to an alternate database).

The table below shows the results when the flexible administrative capability feature is ON.

**Table 11-1 Flexible Administrative Capability Impact on vPars Commands**

| vPars command            | Executed from a ...                |                                                                    |
|--------------------------|------------------------------------|--------------------------------------------------------------------|
|                          | designated-admin virtual partition | non-designated-admin virtual partition                             |
| vparboot                 | allowed                            | not allowed                                                        |
| vparcreate               | allowed                            | not allowed                                                        |
| vparremove               | allowed                            | not allowed                                                        |
| vparmodify               | allowed                            | not allowed unless target partition is the local virtual partition |
| vparreset                | allowed                            | not allowed unless target partition is the local virtual partition |
| vparutil                 | allowed                            | not allowed unless target partition is the local virtual partition |
| vparenv -m<br>vparenv -g | allowed                            | not allowed                                                        |

The remaining vPars commands, such as `vparstatus`, are allowed by all virtual partitions regardless of the flexible administrative capability mode because they do not alter other virtual partitions.



### NOTE:

**When the Target Partition is the Local Partition** If you use a command that alters a virtual partition but you execute it from the partition itself (in other words, the target partition equals the local virtual partition), this is allowed. For example,

```
winona2# vparmodify -p winona2 -a cpu::1
```

Because you are not modifying another virtual partition, this will be allowed even if winona2 is not a designated-admin virtual partition.

**vparcreate** While flexible administrative capability is on, when you create a virtual partition, the target partition will be a non-designated-admin virtual partition. You cannot `vparcreate` a virtual partition as a designated-admin virtual partition. After the `vparcreate` command, to change the non-designated-admin virtual partition to a designated-admin virtual partition, you will need to add the partition to the designated-admin virtual partition list using the `vparadmin -a` command.

**vparstatus** `vparstatus` does not show whether a virtual partition is in the designated-admin virtual partition list; you need to use `vparadmin -l`.

## Example vPars Monitor Scenario (monadmin)

Below describes examples that include (from the vPars Monitor):

- turning on the flexible administrative capability feature (which will include setting the password)
- adding virtual partitions to the designated-admin virtual partition list

For this section, let's assume we have the virtual partitions winona1, winona2, and winona3.

## Turning On The Flexible Administrative Capability Feature

Turning on the flexible administrative capability feature for the first time is performed usually after

- at least one virtual partitions has been created (so that you have a vPars database)
- the vPars Monitor has been booted (so that you have the vPars product running)

Also, this allows you to have at least one virtual partition to be a designated-admin virtual partition, which allows you to vparcreate, vparboot, vparreset, and vparmodify other partitions if needed.

Assuming we have already installed the vPars product, created virtual partitions, and have booted the vPars Monitor, we can set the flexible administrative capability feature to ON. When the flexible administrative capability feature is set to ON, you will also be asked for a password that will be the new flexible administrative capability password. The old password is not required.

```
MON> monadmin -S on
Enter the vPar flexible administrative password:
Re-enter to confirm:
```

## Adding Virtual Partitions to the Designated-admin Virtual Partition List

At this point, no virtual partitions have been added to the designated-admin virtual partition list. Let's add winona1 to the list.

```
MON> monadmin -a winona1
```

After we have completed the designated-admin list, let's boot all the virtual partitions.

```
MON> vparload -all
```

## Example HP-UX Shell Scenario (vparadmin)

Below describes examples that include (from the HP-UX shell):

- a command successfully executed
- a command not executed due to the flexible administrative capability feature
- adding a virtual partition to the designated-admin virtual partition list
- deleting a virtual partition from the designated-admin virtual partition list
- listing the virtual partitions in the designated-admin virtual partition list
- changing the flexible administrative capability password
- determining whether you are in flexible administrative capability

For this section, let's assume we have the virtual partitions winona1, winona2, and winona3.

### A Command Successfully Executed

Because winona1 is in the designated-admin virtual partition list. We can execute a command from winona1 that alters winona2:

```
winona1# vparmodify -p winona2 -a cpu::1
```

Note that you will not see any flexible administrative capability messages when flexible administrative capability is allowed; you will only see flexible administrative capability messages when access is denied.

### A Command Not Executed Due to the Flexible Administrative Capability Feature

However, because winona2 is not in the designated-admin virtual partition list. We cannot successfully execute a command from winona2 that alters another partition:

```
winona2# vparmodify -p winona1 -a cpu::1
vparmodify: Error: Only Designated-Admin virtual partitions can perform this operation on winona1.
winona2# vparmodify -p winona3 -a cpu::1
vparmodify: Error: Only Designated-Admin virtual partitions can perform this operation on winona3.
```

Note that if the target partition is the local virtual partition, then the partition is only altering itself and not altering another partition, so this will be allowed.

```
winona2# vparmodify -p winona2 -a cpu::1
```

## Adding a Virtual Partition to the Designated-admin Virtual Partition List

If we want the non-designated-admin virtual partition winona2 to be able to alter other virtual partitions, we need to add it to the designated-admin virtual partition list. This can be done from any virtual partition, but you will need to know the flexible administrative capability password.

```
winona2# vparadmin -a winona2
password:
Virtual partition winona2 is added to the Designated-Admin virtual partitions list.
```

## Deleting a Virtual Partition to the Designated-admin Virtual Partition List

If later we want to remove winona2 from the designated-admin virtual partition list, we can do this from any virtual partition:

```
winona1# vparadmin -d winona2
Password:
Virtual partition winona2 is deleted from the Designated-Admin virtual partitions list.
```

## Listing the Virtual Partitions in the Designated-admin Virtual Partition List

We can verify that winona2 has been removed from the designated-admin virtual partition list. This can be performed from any partition.

```
winona1# vparadmin -l
----- Designated-Admin virtual partitions -----
winona1
```

Only winona1 is displayed as a designated-admin virtual partition. Since winona2 (and winona3) are not in the list, they are not designated-admin virtual partitions.

## Changing the Flexible Administrative Capability Password

We can change the flexible administrative capability password with the `vparadmin -C` command. Note that there is no `-C` option in the `monadmin` command, although you will be asked for a new password when you set the mode from OFF to ON.

The `vparadmin -C` command can be executed from any virtual partition; you will need to know the old password to be able to change the password.

```
winona2# vparadmin -C
Old password:
New password:
Re-enter new password:
The vPar flexible administrative password successfully changed.
```

## Determining whether Flexible Administrative Capability is ON or OFF

When you are within a Unix shell, the easiest method to determine whether the flexible administrative capability mode is ON (enabled) is to use the `vparadmin` command.

When you are not in flexible administrative capability, you will receive the “disabled” message:

```
vparadmin
The virtual partition flexible administrative capability is disabled.
```

When you are in flexible administrative capability, you will receive the “enabled” message:

```
vparadmin
The virtual partition flexible administrative capability is enabled.
```



---

## 12 Virtual Partition Manager (A.03.xx)

This chapter provides an overview of the Virtual Partition Manager (`vparmgr`), which provides a GUI to the vPars commands. This chapter includes:

- About the Virtual Partition Manager
- Starting the Virtual Partition Manager
- Using the vPars Graphical User Interface (GUI)
- Stopping the Virtual Partition Manager

For more detailed information, see the Virtual Partition Manager online help.

---



### NOTE:

**Discontinuance of the Virtual Partition Manager** The Virtual Partition Manager is not available for vPars A.04.01 and later. Manually remove Virtual Partition Manager after updating to vPars A.04.xx or vPars A.05.xx from vPars A.03.xx.

### NOTE:

**Virtual Partition Manager Not Supported in Mixed vPars Environments** The Virtual Partition Manager GUI is supported only on HP-UX 11i v1 virtual partitions in mixed HP-UX 11i v1/v2 vPars environments and mixed HP-UX 11i v1/v2/v3 vPars environments.

See “Mixed HP-UX 11i v1/v2 vPars Environments in vPars A.04.05” (page 58) for an overview of mixed HP-UX 11i v1/v2 vPars environment features.

See “Mixed HP-UX 11i v1/v2/v3 vPars Environments in vPars A.05.03” (page 63) for an overview of mixed HP-UX 11i v1/v2/v3 vPars environments.

---

## About the Virtual Partition Manager (`vparmgr`)

The virtual partition manager (`vparmgr`) provides an easy to use graphical interface to the vPars command utilities. Using `vparmgr`, you can perform the following tasks:

- create a new virtual partition
- modify an existing virtual partition, including
  - modify attributes such as boot path and kernel path
  - add or remove CPUs
  - add or remove memory
  - add or remove I/O local bus adapters
- delete an existing virtual partition
- display the resources assigned to each virtual partition
- display the status of each virtual partition
- display logs of vPars activity
- boot a virtual partition
- reset a virtual partition

The virtual partition manager has special features to save you time and effort:

- with a command-line parameter, you can start `vparmgr` directly in the task that you want to perform
- after using the graphical interface to select the task and options that you want to perform, `vparmgr` can show you the command line that would perform the operation directly.

## Starting the Virtual Partition Manager

Before you can start the virtual partition manager, vPars must be installed and running. For information on installing vPars, see “Installing, Updating, or Removing vPars and Upgrading Servers with vPars” (page 67). For information on installing the virtual partition manager, see “Installing and Removing vPars-related Bundles” (page 72).

After vPars is installed and running, you must boot at least one virtual partition to a HP-UX kernel. You can then start the virtual partition manager in that virtual partition by executing the command `vparmgr`

```
/opt/vpasmgr/bin/vpasmgr [-h]
/opt/vpasmgr/bin/vpasmgr -t create
/opt/vpasmgr/bin/vpasmgr -t modify|par_details -p vp_name
```

With no arguments, the `vpasmgr` graphical user interface is launched. You can perform all `vpasmgr` operations from the GUI, as discussed below under using the graphical user interface.

## Options

-h

displays usage instructions

-t create

creates a new virtual partition

-t modify

modifies an existing virtual partition. You must specify which virtual partition to modify, using the `vp_name` parameter.

-t par\_details

displays the status, attributes, and resources of a virtual partition. You must specify which virtual partition to display, using the `vp_name` parameter.

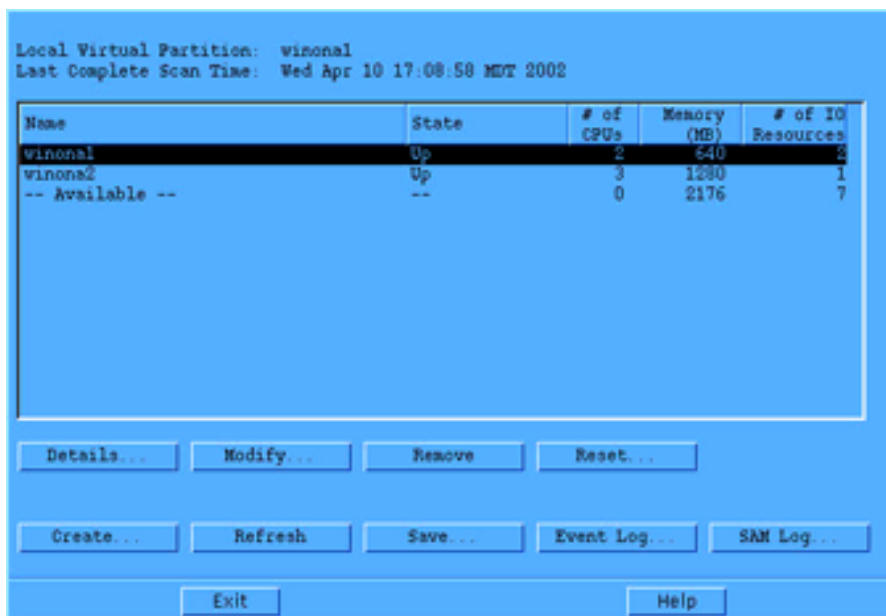
-p vp\_name

the name of a virtual partition

## Using the vPars Graphical User Interface (GUI)

When the `vpasmgr` GUI starts, it displays the virtual partition status screen.

**Figure 12-1 vPars GUI Status Screen**



This displays the status of all of the virtual partitions and available resources on the system. To perform an action on an object (a virtual partition or a set of available resources), click on the object in the list and then click the button corresponding to the action that you want to perform on that object. For more information about this screen, select the `virtual partition status` page from the navigation links on the left side of the Virtual Partition Manager online help.

Each `vparmgr` screen works in a similar fashion. Select the object, then click a button to act on the object. Some buttons do not require a selected object. For example, the `refresh` button will refresh the display, using the latest data available from the vPars Monitor.

The online help provides a more detailed information for each `vparmgr` screen. Clicking any screen's `help` button will launch a web browser to display the help specific to that screen. For more information about using the online help system, click `using help` from the navigational links on the left side of the Virtual Partition Manager online help.

## Stopping the Virtual Partition Manager

To exit `vparmgr`, click the `Exit` button on the virtual partition status screen.





# A LBA Hardware Path to Physical I/O Slot Correspondence (PA-RISC only)

This section contains a simplified PCI I/O block diagrams for the rp5470/L3000, rp7400/N4000, rp7405/rp7410, rp8400, and HP 9000 Superdome (SD16000, SD32000, SD64000) servers. These diagrams can be used to help determine which LBAs correspond to which physical I/O slots.

The diagrams presented here were created due to incorrect or inaccessible PA-RISC documentation. For other supported servers, see your server manual.

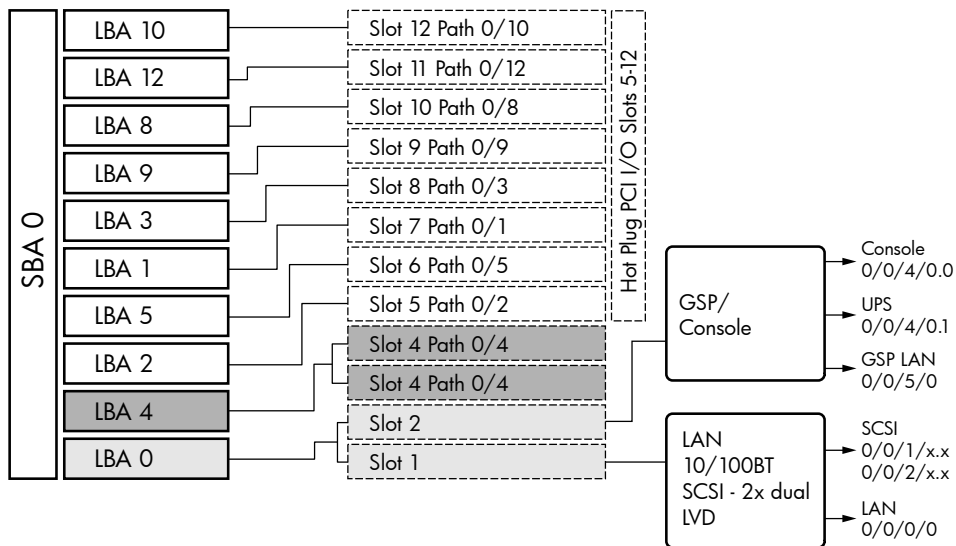


**NOTE:** Note that there is a hardware path change when upgrading from PCI to PCI-X. For more information, see the hardware manuals and “Upgrading Backplanes from PCI to PCI-X” (page 114).

## rp5470/L3000 I/O Block Diagram

**Figure A-1 rp5470/L3000 I/O Hardware Paths**

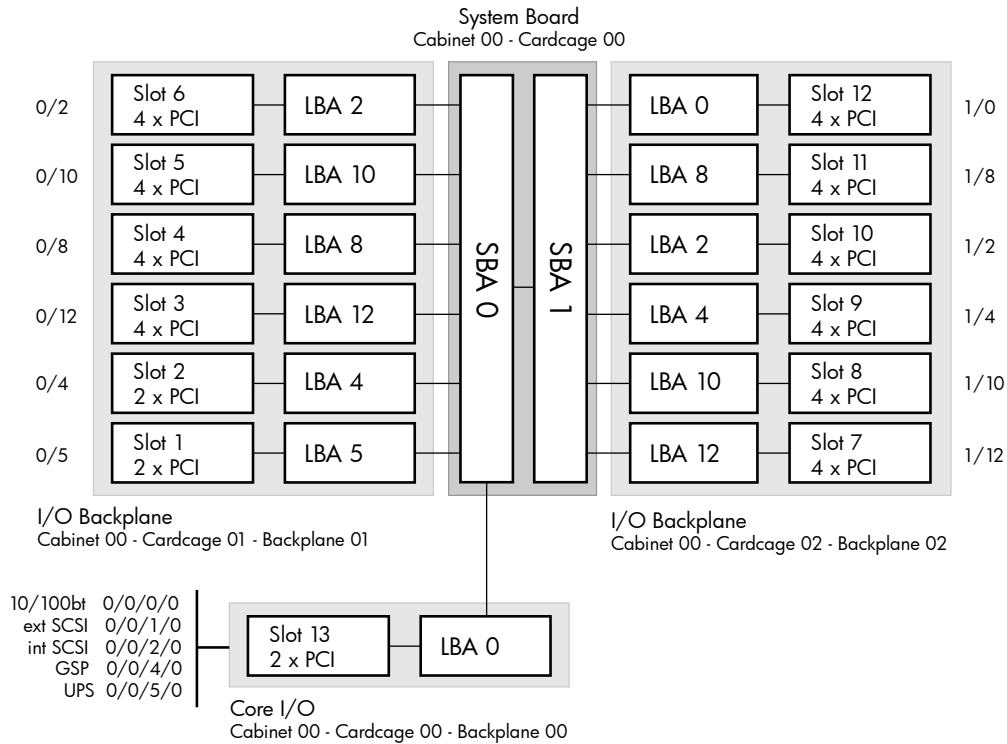
rp5470 / L3000 I/O Block Diagram



# rp7400/N4000 I/O Block Diagram

**Figure A-2 rp7400/N4000 I/O Hardware Paths**

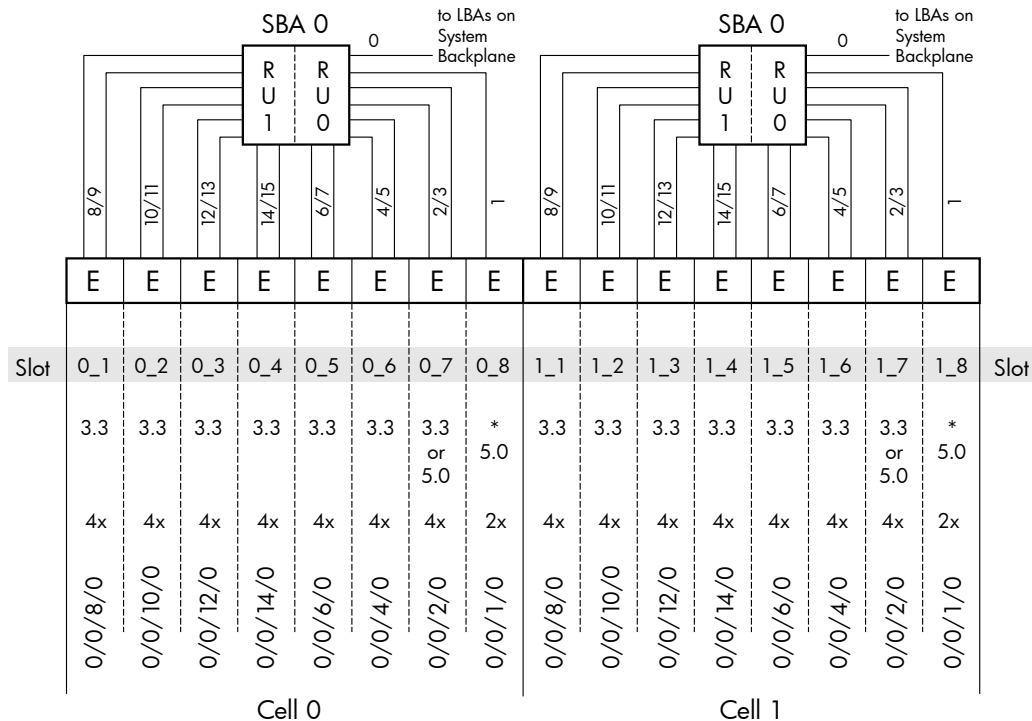
rp7400 / N4000 I/O Block Diagram



# rp7410 and rp7405 PCI I/O Block Diagram

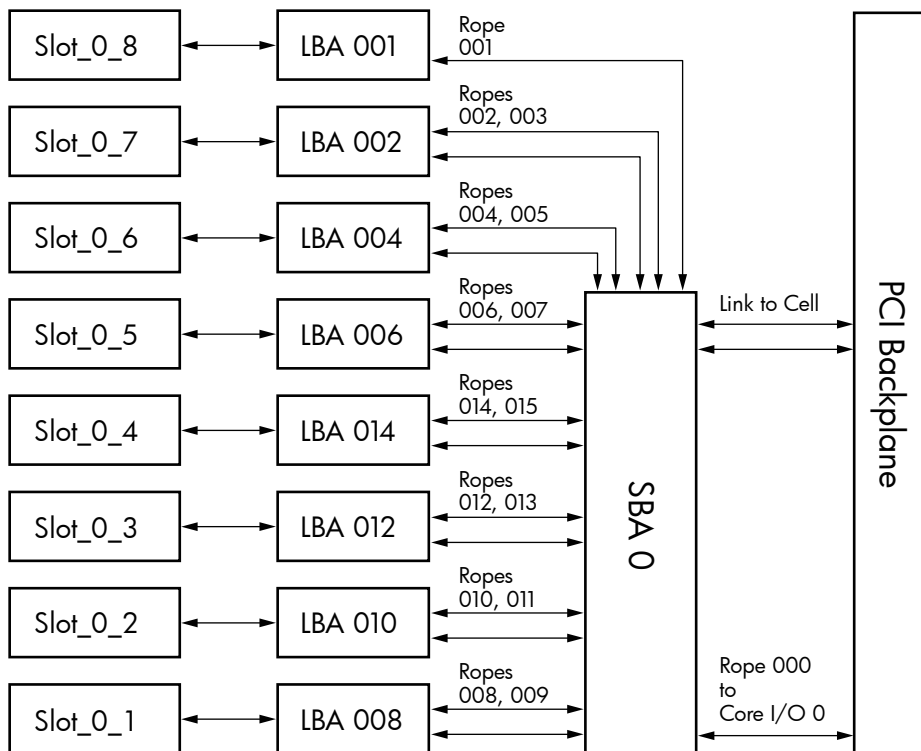
**Figure A-3 rp7410 and rp7405 I/O Hardware Paths**

PCI I/O Subsystem



# rp8400 PCI I/O Block Diagram

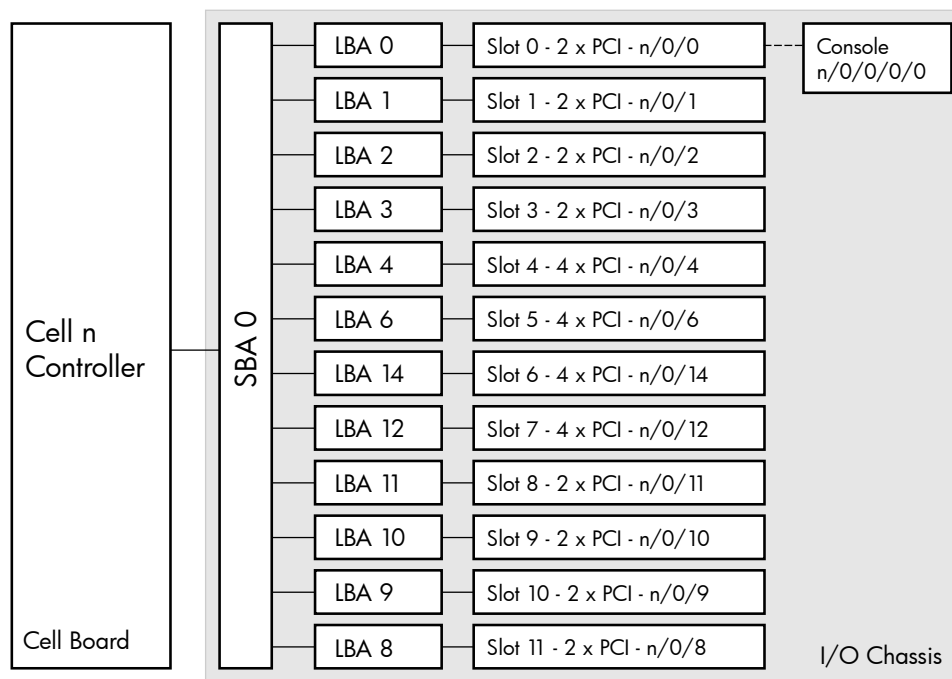
**Figure A-4 rp8400 I/O Hardware Paths**



# Superdome (SD16000, SD32000, SD64000) PCI I/O Block Diagram

**Figure A-5 Superdome (SD16000, SD32000, SD64000) I/O Hardware Paths**

Superdome I/O Block Diagram





---

## B Problem with Adding Unbound CPUs to a Virtual Partition (A.03.xx)

Unbound CPUs allow you to easily adjust processing power between virtual partitions. But a corner case can occur where you will not be able to add specific unbound CPU(s) without rebooting the target partition. This appendix discusses when this situation can occur and how to work around it.

### Symptoms

When attempting to add an unbound CPU, you may see the following error message:

```
One or more unbound CPUs were not available when virtual partition
<partition_name> was booted. You must shutdown the partition to add
them.
```

This means that the unbound CPU cannot be dynamically added to the virtual partition.

### Cause

When a virtual partition boots, the HP-UX kernel creates a table of the existing unbound CPUs available *at the time the virtual partition is booted*. If there is not an existing entry in the table for a specific CPU, that CPU cannot be added to the partition.

### Example

To simplify the example, this appendix uses a generic eight-way (8-CPU) server whose CPUs are at the hypothetical hardware paths of x01, x02, x03, x04, x05, x06, x07, and x08.

#### Create the Virtual Partitions

Suppose we create three partitions using the following commands.

```
vparcreate -p vpar1 -a cpu::2 -a cpu:::2
vparcreate -p vpar2 -a cpu::2 -a cpu:::2
vparcreate -p vpar3 -a cpu::1
```

And suppose that the vPars Monitor chooses the following hardware paths for the bound CPUs:

| Virtual Partition     | vpar1      | vpar2      | vpar3 |
|-----------------------|------------|------------|-------|
| Paths of Bound CPU(s) | x01<br>x02 | x03<br>x04 | x05   |

This configuration leaves the following three CPUs as unbound CPUs:

|                       |               |
|-----------------------|---------------|
| Paths of Unbound CPUs | x06, x07, x08 |
|-----------------------|---------------|

#### Boot the Virtual Partitions

When we boot the partitions, they will boot with the following bound CPUs; their respective kernels will have the following unbound CPU entries.

Note that the entries for the unbound CPUs are only *entries* for unbound CPUs that can *potentially* be added to the partition. At this point, we have not assigned any unbound CPUs to any of the partitions:

| Virtual Partition          | vpar1             | vpar2             | vpar3             |
|----------------------------|-------------------|-------------------|-------------------|
| Paths of Bound CPU(s)      | x01<br>x02        | x03<br>x04        | x05               |
| Unbound CPU Kernel Entries | x06<br>x07<br>x08 | x06<br>x07<br>x08 | x06<br>x07<br>x08 |
| Paths of Unbound CPUs      | x06, x07, x08     |                   |                   |

Looking at vpar3, because kernel entries for CPUs at x06, x07, and x08 exist, any of the unbound CPUs (x06, x07, or x08) *can* be added to vpar3. They could also be added to vpar1 or vpar2.

### Create A Fourth Virtual Partition

Supposed we create and boot a fourth partition using the following command:

```
vparcreate -p vpar4 -a cpu::3 -a cpu:::3
```

The vPars Monitor will assign the remaining three CPUs at hardware paths x06, x07, and x08:

| Virtual Partition          | vpar4             |
|----------------------------|-------------------|
| Paths of Bound CPU(s)      | x06<br>x07<br>x08 |
| Unbound CPU Kernel Entries | (none)            |

### Remove a Virtual Partition

If we shutdown and remove vpar2 (using vparremove), its bound CPUs will become unbound, and the current configuration will be the following:

| Virtual Partition          | vpar1                               | vpar3             | vpar4             |
|----------------------------|-------------------------------------|-------------------|-------------------|
| Paths of Bound CPU(s)      | x01<br>x02                          | x05               | x06<br>x07<br>x08 |
| Unbound CPU Kernel Entries | x06<br>x07<br>x08                   | x06<br>x07<br>x08 | (none)            |
| Paths of Unbound CPUs      | unbound CPUs are now at x03 and x04 |                   |                   |

There are now two unbound CPUs, *but these CPUs are not the same ones that were available at the time the partitions vpar1 or vpar3 were booted.*

### Problem is Encountered

At this point, if we attempt to add an unbound CPU to vpar3 using the following command:

```
vparmodify -p vpar3 -a cpu::1
```

the command will fail and return the error message:

vparmodify Error: "-a cpu::1": One or more unbound CPUs were not available when virtual partition vpar3 was booted. You must shutdown the partition to add them.

Although two unbound CPUs are available, their hardware paths are x03 and x04. But the kernel entries for vpar3 are x06, x07, and x08. Therefore, the command will fail.

## The Workaround: Reboot the Target Virtual Partition

Because unbound CPU kernel entries are created when the target partition is booted, you can reboot the target partition so that kernel entries created correctly reflect the available unbound CPUs.

In our example, if we want to add an unbound CPU to vpar3, we can reboot vpar3:

```
vpar3# vparstatus
vpar3# shutdown -r
```

When vpar3 boots again, its kernel will create the correct entries for the unbound CPUs, which are now at x03 and x04. The configuration becomes:

| Virtual Partition          | vpar1                               | vpar3      | vpar4             |
|----------------------------|-------------------------------------|------------|-------------------|
| Paths of Bound CPU(s)      | x01<br>x02                          | x05        | x06<br>x07<br>x08 |
| Unbound CPU Kernel Entries | x06<br>x07<br>x08                   | x03<br>x04 | (none)            |
| Paths of Unbound CPUs      | unbound CPUs are now at x03 and x04 |            |                   |

Because the unbound CPUs are at x03 and x04 and the kernel entries for vpar3 are x03 and x04, the command to add an unbound CPU to vpar3

```
vparmodify -a vpar3 -a cpu::1
now will be successful.
```





# C Calculating the Size of Kernels in Memory (PA-RISC only)

One requirement of vPars is the sum of sizes of the kernels running in memory within a hard partition must be less than 2 GB. This only limits the maximum number of virtual partitions that can be created. If you use the defaults of the dynamic tunables, you will not run into this 2 GB limit. However, if you have adjusted the dynamic tunables, you can perform the calculations described in this appendix to ensure you meet this criteria.

For more information on dynamic tunables, see the white paper *Dynamically Tunable Kernel Parameters in HP-UX 11i* at <http://docs.hp.com>.

## Calculating the Size of a Kernel

To calculate the size of the kernel, perform the following using the kernel file (for example, `/stand/vmunix`) on the target OS:

1. Get the size of the kernel:

```
size /stand/vmunix
[18784256 + 4775224 + 6696240 = 30255720
```

The size of the kernel is the final number: 30255720

2. Divide by (1024 \* 1024):

```
((30255720) / (1024 * 1024)) + 1 = 29.85
```

3. Round up the result to the next multiple of 64 MB:

29.85 rounded to the next multiple of 64 MB = 64 MB

Use this number (64 MB) for the size of kernel. (Although the actual size of the kernel may be closer to 30 MB, the minimum granularity with which memory is assigned to a partition is 64 MB.)

## Examples of Using the Calculations

### Changing Dynamic Tunables

If you have already migrated to a vPars server and are adjusting the dynamic tunables of a kernel, check that there is an available memory range under the 2 GB boundary to accommodate the adjusted kernel. You should do this check after adjusting the dynamic tunables but before rebooting the partition.

For example, suppose you calculated the size of an adjusted kernel to be 64 MB. Using `vparstatus -A`, you can check whether there is an available memory range below the 2 GB limit to accommodate the kernel size:

```
vparstatus -A
...
[Unbound memory (Base/Range)]: 0x40000000/256
 (bytes) (MB)
```

The output from `vparstatus -A` shows the following:

- an available 256 MB memory range that can accommodate the 64 MB kernel and
- an available memory range beginning at 0x40000000, which is below the 2 GB limit.

Therefore, the criteria will continue to be met after you reboot the partition.

### Migrating OSs from non-vPars Servers to a vPars Server

If you are migrating from multiple non-vPars servers to one vPars server, sum up the results for all the kernels and ensure that the result is under 2 GB.<sup>5</sup>

5. Because the vPars Monitor uses 64 MB, the actual number is 1984 MB.

For example, if we calculated the size of the kernel of the first OS to be 64 MB and the second OS to be 128 MB, the sum is 192 MB. 192 MB is below the 2 GB limit, so we have met the criteria and can migrate the OSs from the multiple non-vPars servers to the single vPars server.



**NOTE:** For vPars A.04 and later, you will need to accommodate for your granularity setting by rounding memory usage to the granularity boundary.

---

---

# D Memory Usage with vPars in nPartitions

This section discusses various usages of memory for vPars within nPartitions.

Within a vPars environment, memory is used not only by the HP-UX OS and applications, but can also be used by the following:

- nPartition Firmware
- Firmware Partitions (fPars) on Integrity servers
- vPars Monitor

## nPartition Firmware

When the nPartition boots, the firmware requires between 8 to 64 MB of *each cell* (therefore, using CLM). The exact amount depends on the specific server and the firmware. PA firmware requires approximately 8-16 MB of each cell, and Integrity firmware requires approximately 16-64 MB of each cell. For exact amounts, see the firmware documentation for your hardware. This per-cell firmware memory requirement is necessary for running the nPartition. It is not a consequence of running vPars.

If our example system has 2 cells and the firmware requires 64 MB per cell, 128 MB (64 MB x 2 cells = 128) of the total cell local memory could be used by the nPartition firmware.

## Firmware Partitions (fPars)

fPars is an interface/interpreter for the firmware on Integrity servers and vPars. fPars uses ILM memory.

fPar0 requires 384 MB of memory for vPars A.05.01, and 256 MB of memory for vPars A.04.03; fPar dump requires 128 MB. The vPars Monitor runs on fpar0; fPar dump is used for vPars Monitor panics.

Additionally, each virtual partition that is booted requires an fPar instance, which is an additional 32 MB per fpar instance.

If our example system running vPars A.05.01 has 2 virtual partitions, 576 MB (384 + 128 + (32 x 2) = 576) is used by fPars.

On a vPars A.04.03 system with 2 virtual partitions, 448 MB (256 + 128 + (32 x 2) = 448) is used by fPars.

Note that the memory used by fPars is provided by the last virtual partition booted.

## vPars Monitor

The vPars Monitor itself requires memory. On PA, the vPars Monitor uses approximately 25 MB of ILM. For Integrity, fPars loads the vPars Monitor into fpar0 memory and does not take any more memory than that already consumed for fpar0 as described above.

## Example System

Assume our example system is:

- an Integrity server
- running vPars A.05.01
- where the firmware requires 64 MB of cell memory per cell
- with 2 cells

- containing 8 GB of total memory consisting of:
  - 4 GB of ILM
  - 4 GB of CLM (2 GB from each cell)
- with 2 virtual partitions booted with *each* virtual partition assigned:
  - 2 GB of ILM
  - 2 GB of CLM

Then, the memory *not available* to the virtual partitions' OS and applications would consist of the following:

128 MB nPartition firmware (64 MB from each cell x 2 cells)  
 384 MB fpar0  
 128 MB fpardump  
 32 MB fpar1 for virtual partition 1  
 32 MB fpar2 for virtual partition 2

From a vPars perspective, this means the following:

- The vPars Monitor resides in fpar0.
- Virtual partition 1 sees 4064 MB of memory:  
 $4096 - 32 \text{ (fpar1)} = 4064 \text{ MB}$
- Virtual partition 2 sees 3424 MB of memory:  
 $4096 - 32 \text{ (fpar2)} - 384 \text{ (fpar0)} - 128 \text{ (fpardump)} - 128 \text{ (nPartition firmware)} = 3424 \text{ MB}$

If all the memory in the nPartition is divided among all the virtual partitions, then during vPars Monitor boot, the last virtual partition in the nPartition gets the memory that remains after memory taken by firmware and the vPars Monitor.

- Available ILM memory:  
 $4096 \text{ (2048 from each cell)} - 384 \text{ (fpar0)} - 128 \text{ (fpardump)} - 32 \text{ (fpar1)} - 32 \text{ (fpar2)} = 3520 \text{ MB}$  of available ILM
- Available CLM memory:  
 $2048 - 64 \text{ (64 from each cell)} = 1984 \text{ MB}$  of available CLM for each cell

---

## E Moving from a Standalone to vPars

A standalone system running a single instance of HP-UX can be further divided into multiple virtual partitions. This section provides a brief overview of the process for moving from a standalone system environment to a virtual partitions environment.

Converting a standalone system to a virtual partitions environment divides system resources among the virtual partitions and enables the system to run multiple instances of HP-UX. Each virtual partition is assigned a subset of the system resources (processing cores, memory, and I/O) and runs its own instance of HP-UX. For an understanding of system partitioning using vPars see [Chapter 2: “How vPars and Its Components Work ”](#) (page 27).

Use the following information to plan and implement your move from a standalone environment to a virtual partitions environment:

1. Plan what system resources are to be assigned to each virtual partition and plan each virtual partition’s features (such as its name, autoboot setting, HP-UX version, and vPars version). For details see [Chapter 3: “Planning Your System for Virtual Partitions”](#) (page 47).
2. Install the appropriate HP-UX and vPars software release for each virtual partition. For details see [Chapter 4: “Installing, Updating, or Removing vPars and Upgrading Servers with vPars”](#) (page 67).



---

## F Supported Configurations for Memory Migration

HP-UX 11i v3 (11.31) supports dynamic memory migration in conjunction with vPars. To optimize runtime performance as well as memory migration performance, system administrators configure the amount of memory that is available for critical system needs and the amount of memory that may be deleted without a reboot.

In order to assure system performance and to ensure that adequate memory is available for critical system needs, a minimum amount of base memory is required for vPars.

The supported memory configurations for base memory with HP-UX 11i v3 (11.31) are as follows:

**Table F-1 Minimum Base Memory Requirements**

| <b>Total Memory Assigned to the Virtual Partition</b> | <b>Minimum Base Memory</b> |
|-------------------------------------------------------|----------------------------|
| 1 GB to 8 GB                                          | 1/2 of total memory        |
| 8 GB to 16 GB                                         | 4 GB                       |
| Over 16 GB                                            | 1/4 of total memory        |





---

# Glossary

## All vPars Versions

|                                 |                                                                                                                                                                                                                                                                                                                                                                                                                                                                                                                                                                                                                                                                                                                                                                                                                                                                                                                                                                                                                                                                                                                                                                                                                                                                |
|---------------------------------|----------------------------------------------------------------------------------------------------------------------------------------------------------------------------------------------------------------------------------------------------------------------------------------------------------------------------------------------------------------------------------------------------------------------------------------------------------------------------------------------------------------------------------------------------------------------------------------------------------------------------------------------------------------------------------------------------------------------------------------------------------------------------------------------------------------------------------------------------------------------------------------------------------------------------------------------------------------------------------------------------------------------------------------------------------------------------------------------------------------------------------------------------------------------------------------------------------------------------------------------------------------|
| <b>core</b>                     | The actual data-processing engine within a processor. A single processor might have multiple cores. Sometimes referred to as a “processing core”. <i>See also processor.</i>                                                                                                                                                                                                                                                                                                                                                                                                                                                                                                                                                                                                                                                                                                                                                                                                                                                                                                                                                                                                                                                                                   |
| <b>dynamic CPU migration</b>    | The vPars ability to add or remove CPUs (cores) while a virtual partition is running.                                                                                                                                                                                                                                                                                                                                                                                                                                                                                                                                                                                                                                                                                                                                                                                                                                                                                                                                                                                                                                                                                                                                                                          |
| <b>hard partition</b>           | Any isolated hardware environment, such as a rp7400 server or an nPartition within a Superdome complex.                                                                                                                                                                                                                                                                                                                                                                                                                                                                                                                                                                                                                                                                                                                                                                                                                                                                                                                                                                                                                                                                                                                                                        |
| <b>mixed environment</b>        | <p>A mixed HP-UX 11i v2/v3 vPars environment allows you to have a vPars A.05.xx Monitor and database that simultaneously supports virtual partitions running vPars A.05.xx on HP-UX 11i v3 (B.11.31) and virtual partitions running vPars A.04.02 or later on HP-UX 11i v2 (B.11.23). Virtual partitions running vPars A.03.xx on HP-UX 11i v1 (B.11.11) <i>are not supported</i> in a mixed HP-UX 11i v2/v3 vPars environment.</p> <p>A mixed HP-UX 11i v1/v2/v3 vPars environment allows you to have a vPars A.05.03 Monitor and database that simultaneously supports virtual partitions running vPars A.05.03 on HP-UX 11i v3 (B.11.31), virtual partitions running vPars A.04.02 or later on HP-UX 11i v2 (B.11.23), and virtual partitions running vPars A.03.05 on HP-UX 11i v1 (B.11.11).</p> <p>A mixed HP-UX 11i v1/v2 vPars environment allows you to have a vPars A.04.05 Monitor and database that simultaneously supports virtual partitions running vPars A.04.05 on HP-UX 11i v2 (B.11.23), and virtual partitions running vPars A.03.05 on HP-UX 11i v1 (B.11.11). Virtual partitions running vPars A.05.xx on HP-UX 11i v3 (B.11.31) <i>are not supported</i> in a mixed HP-UX 11i environment that vPars A.04.05 Monitor is running on.</p> |
| <b>nPartition</b>               | A logical partition of a complex that divides the complex into groups of cell boards where each group operates independently of other groups. an nPartition can run a single instance of HP-UX or be further divided into virtual partitions.                                                                                                                                                                                                                                                                                                                                                                                                                                                                                                                                                                                                                                                                                                                                                                                                                                                                                                                                                                                                                  |
| <b>processor</b>                | The hardware component that plugs into a processor socket. Processors can contain more than one core. <i>See also core.</i>                                                                                                                                                                                                                                                                                                                                                                                                                                                                                                                                                                                                                                                                                                                                                                                                                                                                                                                                                                                                                                                                                                                                    |
| <b>virtual consoles</b>         | A vPars feature that allows console I/O to be multiplexed to one hardware console port.                                                                                                                                                                                                                                                                                                                                                                                                                                                                                                                                                                                                                                                                                                                                                                                                                                                                                                                                                                                                                                                                                                                                                                        |
| <b>virtual partition</b>        | Software partition of a hard partition where each virtual partition contains an instance of HP-UX. Though a hard partition can contain multiple virtual partitions, the inverse is not true. A virtual partition cannot span a hard partition boundary                                                                                                                                                                                                                                                                                                                                                                                                                                                                                                                                                                                                                                                                                                                                                                                                                                                                                                                                                                                                         |
| <b>vPars</b>                    | HP software product that allows software partitioning.                                                                                                                                                                                                                                                                                                                                                                                                                                                                                                                                                                                                                                                                                                                                                                                                                                                                                                                                                                                                                                                                                                                                                                                                         |
| <b>vPars Monitor</b>            | The program that manages resources using the virtual partition database, boots virtual partitions and their kernels, and emulates certain firmware calls.                                                                                                                                                                                                                                                                                                                                                                                                                                                                                                                                                                                                                                                                                                                                                                                                                                                                                                                                                                                                                                                                                                      |
| <b>vPars Partition Database</b> | The database that contains the configuration for all the virtual partitions.                                                                                                                                                                                                                                                                                                                                                                                                                                                                                                                                                                                                                                                                                                                                                                                                                                                                                                                                                                                                                                                                                                                                                                                   |

## vPars A.03.xx-specific Terms

|                    |                                                                                                                                                                                                                           |
|--------------------|---------------------------------------------------------------------------------------------------------------------------------------------------------------------------------------------------------------------------|
| <b>bound CPU</b>   | A CPU (core) that cannot be migrated from or to virtual partitions while the involved virtual partitions are running. Bound CPUs can handle I/O interrupts.                                                               |
| <b>unbound CPU</b> | A CPU (core) that can be migrated from and to virtual partitions while the involved virtual partitions are running. Unbound CPUs cannot handle I/O interrupts. Unbound CPUs are also referred to as <b>floater CPUs</b> . |
| <b>vparmgr</b>     | Virtual Partition Manager. This program provides a GUI to the vPars commands                                                                                                                                              |

## vPars A.04.xx-specific Terms

|                                |                                                                                                             |
|--------------------------------|-------------------------------------------------------------------------------------------------------------|
| <b>CLM (Cell Local Memory)</b> | Using nPartition commands, you can re-configure a portion of a cell’s ILM memory to be used instead as CLM. |
|--------------------------------|-------------------------------------------------------------------------------------------------------------|

|                                   |                                                                                                                                                               |
|-----------------------------------|---------------------------------------------------------------------------------------------------------------------------------------------------------------|
| <b>CLP (Cell Local Processor)</b> | A CPU (core) on a specific cell in an nPartition. Using CLP notation to add or delete CPUs from a virtual partition specifies the cell where the CPU resides. |
| <b>ILM (Interleaved Memory)</b>   | The nPartition's system default is to have all memory configured as ILM.                                                                                      |

#### vPars A.05.xx-specific Terms

|                                   |                                                                                                                                                                                      |
|-----------------------------------|--------------------------------------------------------------------------------------------------------------------------------------------------------------------------------------|
| <b>base memory</b>                | This is memory that can be only added to virtual partitions while the virtual partition is up. This memory <i>cannot be deleted</i> from a virtual partition while it is <i>up</i> . |
| <b>CLM (Cell Local Memory)</b>    | Using nPartition commands, you can re-configure a portion of a cell's ILM memory to be used instead as CLM.                                                                          |
| <b>CLP (Cell Local Processor)</b> | A CPU (core) on a specific cell in an nPartition. Using CLP notation to add or delete CPUs from a virtual partition specifies the cell where the CPU resides.                        |
| <b>dynamic memory migration</b>   | The vPars ability to add or remove memory while a virtual partition is running.                                                                                                      |
| <b>float memory</b>               | This is memory that can be <i>either added to or deleted from</i> a virtual partition while the virtual partition is <i>up</i> .                                                     |
| <b>ILM (Interleaved Memory)</b>   | The nPartition's system default is to have all memory configured as ILM.                                                                                                             |

---

# Index

## Symbols

/stand filesystem, 70

## A

adding cpu to a partition, 198, 230, 253  
adding i/o to a partition, 178, 180, 215, 217, 247, 249  
adding memory resources to a partition, 182, 218, 250  
alternate partition database files, 171  
application fault isolation, 19  
attributes, 153  
AUTO file, 163  
Autoboot, 57, 165

## B

BCH. See Boot Console Handler, 281  
Boot Console Handler, 165, 172, 281  
boot path, 57, 165  
boot processor, 198, 231  
booting  
    all partitions, 156  
    autoboot, 57, 163  
    boot options, 163, 166, 167  
    boot sequence, 30  
    maintenance mode, 167  
    monitor, 130  
    one partition, 154  
    quorum, 168  
    rebooting a partition, 154  
    rebooting the system, 156  
    single-user mode, 166  
bootpath, 133  
bound CPU  
    hardware paths of, 255  
bound CPUs, 255, 257

## C

cabinet, 18  
cat, 133  
cbuf, 133  
CLP, 202, 235  
commands  
    HP-UX shell commands  
        ioscan, 47, 48  
        setboot, 157, 160  
        shutdown, 154, 155  
        vparboot, 163  
        vparcreate, 151, 152, 160, 256  
        vparefiutil, 126  
        vparenv, 122  
        vparmodify, 153, 160, 256  
        vparstatus, 137, 154, 155  
    monitor commands  
        cat, 131, 133  
        cbuf, 133  
        clear\_pending, 133

getauto, 131, 134  
help, 134  
lifls, 131, 134  
log, 134  
ls, 131, 134  
monadmin, 134  
readdb, 131  
reboot, 123, 133  
scan, 134  
vparinfo, 135  
vparload, 132  
complex, 18  
computer utilization, 19  
consoles, 32  
CPU, 198, 230, 253  
    adding and removing, 198, 230, 253  
    boot processor, 198, 231  
    bound  
        adding, 257  
        removing, 257  
    bound versus unbound, 53, 255  
    cell local processor, 202, 235  
    dual-core, 146, 205, 240, 261  
    hardware path, 202, 235  
    hardware paths, 257  
    iCAP, 237  
    interrupts, 208, 237, 259  
    max, 254  
    migration, 230, 253  
    min, 254  
    unbound  
        migrating, 259  
CPU Monitor, 209, 243, 264  
crash dump  
    kernel  
        savecrash, 278  
        TOC, 278  
    monitor, 277  
        analysis, 24, 278  
        files and directory, 278  
        user interface, 277  
creating a partition, 151  
CSTM, 21  
curses applications, 22

## D

database, 29  
    synchronizing database files, 30  
device files  
    /dev/GSPdiag1, 34  
diagnostic utilities (offline), 21  
dynamic CPU Migration, 19, 230, 253

## E

EFI, 37, 126, 135  
EFI paths, 126

expert recovery, 22, 290

## F

flexibility

independent operating system instances, 19

floaters CPUs. See unbound CPUs, 255

## G

getauto, 134

glance, 23

golden image, 279

granularity, 191, 222

GSP. See Guardian Service Processor, 69

Guardian Service Processor

terminal type, 69

## H

hard partitions, 18

hardware console port, 55

hardware paths

specifying for CPUs, 255, 257, 258

help, 134

hung partition, 170

## I

I/O

concepts, 176, 213, 245

interrupts, 208, 237, 259

I/O allocation, 180, 217, 249

boot disks, 180, 217, 249

example, 54

iCAP, 237

Ignite-UX, 21, 73, 76, 81, 96, 103, 114, 116

golden image, 279

make\_net\_recovery, 281

make\_tape\_recovery, 283, 287, 289

recovery, 22, 279

ILM, 186, 219, 251

Initial System Loader, 31, 135, 154, 166, 172

installing, 81, 96, 104

bundle names, 70

installation sources, 70

LAN setup, 74

using Ignite-UX, 73, 74, 114, 116

using Software Distributor, 118

intctl, 24, 208, 237, 259

Integrity, 37, 38, 39, 40, 74, 116, 122, 126

interrupts, 208, 237, 259

ioscan output, 47, 48

for vcn driver, 24, 34

for vcs driver, 24, 34

NO\_HW, 24, 34

ISL. See Initial System Loader, 31

isolating application faults, 19

## K

kernel

size, 52

vmunix file, 31

## L

lan cards, 74, 116

lan path, 57

LBA

concepts, 176, 213, 245

LBA. See local bus adapter, 180, 217, 249

LIF files, 23, 163

lifls, 134

local bus adapter

I/O allocation and, 54, 180, 217, 249

log, 134, 135

ls, 134

LVM

Maintenance Mode, 167

overriding quorum, 168

## M

Maintenance Mode, 167

make\_net\_recovery, 22

make\_tape\_recovery, 22

manpages, 135

MC/Service Guard, 22

memory, 182, 218, 250

address, 188, 221, 252

allocation by range, 188, 221, 252

allocation example, 54

granularity, 191, 222

ILM, 186, 219, 251

migrating unbound CPUs, 259

minimal hardware configuration, 52

Mirror-UX, 126

mkboot, 23, 163

modes, 37, 122

modifying attributes, 153

monadmin, 133, 134

monitor, 29

booting, 130

commands, 131

bootpath, 133

cat, 133

cbuf, 133

clear\_pending, 133

getauto, 134

help, 134

lifls, 134

log, 134

ls, 134

readdb, 131

reboot, 123, 133, 156

scan, 134

toddriftreset, 135

vparinfo, 135

vparload, 132, 166, 167

vparreset, 167

crash dump files, 278

prompt, 130

vpmon file, 29, 31, 156, 278

monitor prompt

toggle past, 35

## N

NO\_HW (ioscan output), 24, 34

nPartition, 18, 265

- Adding a cell, 268

- Reboot for Reconfiguration, 150, 269, 270

## O

ODE, 21

OLAR. See On-Line Addition and Replacement, 19, 20

On-Line Addition and Replacement, 19, 20

operating system

- multiple instances of, 19

ordering information, 26

## P

PA, 39, 40

parconfig, 122

parmgr, 72

partition database, 29

- using alternate, 131

partitions

- adding cpu resources, 198, 230, 253

- adding i/o resources, 178, 180, 215, 217, 247, 249

- adding memory resources, 182, 218, 250

- booting, 154

- creating, 151

- example plan, 51

- I/O, 54

- minimal hardware configuration, 52

- modifying attributes of, 153

- names of, 52

- obtaining information about, 137

- removing, 152

- removing cpu resources, 198, 230, 253

- removing hardware resources, 175, 213, 245

- removing i/o resources, 178, 180, 215, 217, 247, 249

- resetting, 170

- states of, 137

partitions. See also virtual partitions, 57

patches, 115, 117, 118

patching, 109

planning partitions, 51

product interaction, 19

## Q

quality pack, 115, 117, 118

quorum override, 163, 168

## R

readdb, 131

real-time clock, 23, 135

reboot, 24, 122, 123, 133

rebooting

- a partition, 154

- the system, 156

recovery, 22

- archive, 281

- expert, 290

- make\_net\_recovery, 281

- make\_tape\_recovery, 283, 287, 289

- removing a partition, 152

- removing cpu resources from a partition, 198, 230, 253

- removing i/o from a partition, 178, 180, 215, 217, 247, 249

- removing memory resources from a partition, 182, 218, 250

- removing the product, 119

reset

- hard, 170

- soft, 170

- resetting a partition, 170

- resource utilization, 19

resources

- cpu, 198, 230, 253

- I/O, 176, 213, 245

- ILM, 186, 219, 251

- memory, 182, 218, 250

## S

scan, 134

SCSI Initiator ID, 23

security, 36, 291

Service Guard, 22

setboot, 23, 157, 160

settime, 134

shutdown, 24

- a partition, 154

- the system, 156

- shutting down a partition, 154

- shutting down the system, 156

- software depot, 26

specifications

- CPU requirements, 52

- disk requirements, 52

- memory requirements, 52, 54

- minimal hardware configuration, 52

- stable storage, 23, 157

STM, 20

- cpu monitor, 209, 243, 264

supported

- environments, 19

- product interaction, 19

## T

threads, 134

time, 134

TOC, 278

toddriftreset, 23, 135

## U

unbound CPUs, 255

Uninterruptible Power Supply, 23

Update-UX, 76, 81, 85, 96, 103

Updating, 76, 81, 96, 104

UPS. See Uninterruptible Power Supply, 23

## V

vcn driver, 24, 34

vcs driver, 24, 34

- virtual consoles, 32
  - GSPdiag1 device file, 34
  - output delay, 34
  - terminal emulation, 34
- virtual partitions, 18, 28
  - adding a cell, 268
  - adding cpu resources, 198, 230, 253
  - adding i/o resources, 178, 180, 215, 217, 247, 249
  - adding memory resources, 182, 218, 250
  - compared to hard partitions, 18
  - creating, 151
  - defined, 17
  - monitor, 29
  - naming, 52
  - rebooting, 154
  - removing, 152
  - removing cpu resources, 198, 230, 253
  - removing i/o resources, 178, 180, 215, 217, 247, 249
  - removing memory resources, 182, 218, 250
  - shutdown, 154
  - shutting down, 154
  - shutting down all, 156
  - states, 137
  - versions, 39, 40
- Virtual Partitions product
  - benefits of, 19
  - bundle names, 70, 72
  - features of, 18
  - manpages, 135
  - partitioning with, 27
  - product interaction, 19
  - security issues, 36, 291
  - using with curses applications, 22
  - using with Glance, 23
  - using with hyperthreading, 20
  - using with Ignite-UX, 21
  - using with On-Line Addition and Replacement, 19, 20
  - using with Openview Performance Agent, 23
  - using with Processor Sets, 23
  - using with ServiceGuard, 22
  - using with Uninterruptible Power Supplies, 23
- vparboot, 74
- vparconfig, 122
- vparcreate, 160, 256
  - cpu, 198, 199, 202, 230, 231, 232, 235, 253, 256
  - i/o resources, 180, 217, 249
  - memory, 182, 186, 218, 219, 250, 251
- vpafiutil, 126
- vpasenv, 122
- vpasinfo, 135
- vpasload, 132
- vpasmgr, 72, 301
- vpasmodify, 160, 256
  - cpu, 198, 199, 202, 230, 231, 232, 235, 253, 254, 256
  - i/o resources, 178, 180, 215, 217, 247, 249
  - memory, 182, 186, 218, 219, 250, 251
- vpasstatus, 137
- vpasdb file, 171