




EMC® Fibre Channel with Emulex Host Bus Adapters in the Solaris Environment

P/N 300-001-156
REV A12

EMC Corporation
Corporate Headquarters:
Hopkinton, MA 01748-9103
1-508-435-1000
www.EMC.com



Copyright © 2001–2007 EMC Corporation. All rights reserved.

Published July, 2007

EMC believes the information in this publication is accurate as of its publication date. The information is subject to change without notice.

THE INFORMATION IN THIS PUBLICATION IS PROVIDED "AS IS." EMC CORPORATION MAKES NO REPRESENTATIONS OR WARRANTIES OF ANY KIND WITH RESPECT TO THE INFORMATION IN THIS PUBLICATION, AND SPECIFICALLY DISCLAIMS IMPLIED WARRANTIES OF MERCHANTABILITY OR FITNESS FOR A PARTICULAR PURPOSE.

Use, copying, and distribution of any EMC software described in this publication requires an applicable software license.

For the most up-to-date listing of EMC product names, see EMC Corporation Trademarks on EMC.com.

All other trademarks used herein are the property of their respective owners.

| | |
|---|--|
| Preface | 5 |
| Chapter 1 | Introduction |
| Emulex/Solaris environment..... | 10 |
| Planning zoning in a fabric environment..... | 11 |
| Chapter 2 | Installing and Configuring the HBA and Driver |
| Installing the hardware | 14 |
| Installing the HBA..... | 14 |
| Installing the HBA I/O driver | 15 |
| Removing CLARiiON failover software..... | 15 |
| Installing a new driver..... | 15 |
| Upgrading a 4.x SBus driver to 5.x or higher | 19 |
| Upgrading a 4.x PCI or 5.x driver to 5.x or higher | 23 |
| Incorporating EMC Fibre Channel..... | 27 |
| Fabric environment specifics | 27 |
| Editing lpfc.conf..... | 29 |
| Adding Target IDs and LUNS..... | 39 |
| Editing /etc/system..... | 41 |
| Target and LUN blocking..... | 42 |
| Partitioning and labeling new devices..... | 43 |
| Updating the HBA firmware..... | 44 |
| Updating the HBA FCode | 45 |
| Creating a single-HBA zone in a CLARiiON environment..... | 47 |
| Creating a DS-xB or ED-12000B switch zone for each HBA | 47 |
| Replacing HBAs connected to shared CLARiiON systems..... | 49 |
| Optimizing the HBA driver in a CLARiiON environment | 50 |

| | |
|--|----|
| FC4500, FC5300, and FC5700 storage systems: FC-AL..... | 50 |
| FC4500, FC4700, and CX-Series storage systems: | |
| FC-SW | 51 |
| C3400/3500 storage systems..... | 52 |
| Symmetrix/Fabric case study..... | 53 |

Chapter 3 **Configuring a Boot Device on the Storage Array**

| | |
|--|--------|
| Configuring a Symmetrix boot device..... | 56 |
| Requirements | 56 |
| Procedure..... | 56 |
| Verifying Symmetrix information..... | 57 |
| Configuring partitions..... | 57 |
| Creating file systems..... | 58 |
| Installing a bootblk..... | 58 |
| Copying required files..... | 59 |
| Modifying OpenBoot | 61 |
| Troubleshooting..... | 63 |
| Useful monitor commands..... | 64 |
| Configuring a CLARiiON boot device | 65 |
| Prerequisites..... | 65 |
| Boot disk configuration | 65 |
| Boot setup..... | 67 |
| Troubleshooting suggestions..... | 70 |
| Helpful ok prompt commands..... | 70 |
| Booting from CLARiiON over PowerPath | 71 |
| Index..... | 79 |

As part of an effort to improve and enhance the performance and capabilities of its product line, EMC from time to time releases revisions of its hardware and software. Therefore, some functions described in this document may not be supported by all revisions of the software or hardware currently in use. For the most up-to-date information on product features, refer to your product release notes.

If a product does not function properly or does not function as described in this document, please contact your EMC representative.

This document describes the procedures for installing one or more EMC-qualified Emulex LightPulse host bus adapters (HBAs) into a Sun or Fujitsu Siemens Solaris host and configuring the host for connection to an EMC storage array over Fibre Channel.

Note: Review the *EMC Support Matrix* for the latest information on approved HBAs and drivers.

Conventions used in this guide

EMC uses the following conventions for notes, cautions, and warnings.

Note: A note presents information that is important, but not hazard-related.



IMPORTANT

An important notice contains information essential to operation of the software.

**CAUTION**

A caution contains information essential to avoid data loss or damage to the system or equipment. The caution may apply to hardware or software.

**WARNING**

A warning contains information essential to avoid a hazard that can cause severe personal injury, death, or substantial property damage if you ignore the warning.

Typographical conventions

EMC uses the following type style conventions in this guide:

bold

- User actions (what the user clicks, presses, or selects)
- Interface elements (button names, dialog box names)
- Names of keys, commands, programs, scripts, applications, utilities, processes, notifications, system calls, services, applications, and utilities in text

italic

- Book titles
- New terms in text
- Emphasis in text

Courier

- Prompts
- System output
- Filenames
- Pathnames
- URLs
- Syntax when shown in command line or other examples

Courier, bold

- User entry
- Options in command-line syntax

Courier italic

- Arguments in examples of command-line syntax
- Variables in examples of screen or file output
- Variables in pathnames

<>

Angle brackets for parameter values (variables) supplied by user.

[]

Square brackets for optional values.

|

Vertical bar symbol for alternate selections. The bar means or.

...

Ellipsis for nonessential information omitted from the example.

Where to get help EMC support, product, and licensing information can be obtained as follows.

Product information — For documentation, release notes, software updates, or for information about EMC products, licensing, and service, go to the EMC Powerlink website (registration required) at:

<http://Powerlink.EMC.com>

Technical support — For technical support, go to EMC Customer Service on Powerlink. To open a service request through Powerlink, you must have a valid support agreement. Please contact your EMC sales representative for details about obtaining a valid support agreement or to answer any questions about your account.

Your comments Your suggestions will help us continue to improve the accuracy, organization, and overall quality of the user publications. Please send your opinion of this document to:

techpubcomments@EMC.com

This chapter provides introductory information on the Emulex/Solaris environment.

Note: Review the *EMC Support Matrix* for the latest information on approved HBAs and drivers.

- ◆ [Emulex/Solaris environment.....](#) 10
- ◆ [Planning zoning in a fabric environment.....](#) 11

Emulex/Solaris environment

Using the Emulex adapter with the Solaris operating system requires HBA I/O driver software. The driver functions as the host adapter driver in the host's Common SCSI Architecture (CSA), which is a layer below the Solaris SCSI Target Driver (sd), to present the EMC® Fibre Channel devices to the operating system as if they were standard SCSI devices.

An Emulex HBA is identified in the Solaris host by the **lpfcX**, where **X** is the driver instance number of the HBA. This information appears in console messages (execute **dmesg**), and can be viewed in the file **/var/adm/messages**.

The instance number of the **lpfc** can exceed the number of the adapters. An administrator can determine the mapping between the physical card with the driver instance **X** by disconnecting the cable from the HBA and watching the console, which will display a message similar to the following example:

```
NOTICE: lpfcX: ...WWPN:10:00:00:00:c9:YY:YY:YY WWNN:10:00:00:00:c9:YY:YY:YY
```

where **lpfcX** is the interface of the specific Emulex adapter.

Note: All EMC-approved Emulex HBAs use the same driver in a SPARC host.

Planning zoning in a fabric environment

Before setting up the hardware in a fabric switch configuration with Symmetrix[®], you should plan an effective zone map. Check the switch manufacturer's user documentation for help on defining zones.

This chapter describes the procedures for installing and configuring the Emulex HBA and driver.

- ◆ Installing the hardware 14
- ◆ Installing the HBA I/O driver 15
- ◆ Incorporating EMC Fibre Channel 27
- ◆ Partitioning and labeling new devices..... 43
- ◆ Updating the HBA firmware..... 44
- ◆ Updating the HBA FCode 45
- ◆ Creating a single-HBA zone in a CLARiiON environment 47
- ◆ Replacing HBAs connected to shared CLARiiON systems 49
- ◆ Optimizing the HBA driver in a CLARiiON environment..... 50
- ◆ Symmetrix/Fabric case study 53

Installing the hardware

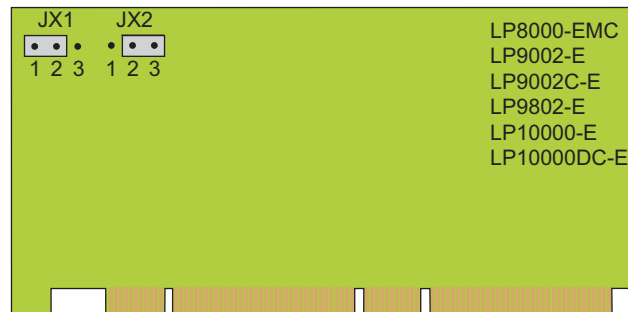
This section describes the procedure for configuring and installing the HBA. Also included are procedures for installing a GBIC and connecting the cables in a CLARiiON® environment.

Installing the HBA

Note: For CLARiiON environments, review your server documentation for slot recommendations that meet or exceed the HBA capabilities: 64-bit, 33 MHz.

1. Set the HBA jumpers as shown below to enable it for use with the Solaris host.

Note: The LP9002S-E and LP9002DC-E have no user-programmable jumpers.



2. With host system power removed, install the HBA as instructed in the server documentation. The card installs into a single PCI bus slot.
3. Re-apply power and allow the system to boot normally.

Installing the HBA I/O driver

Using the Emulex adapter with the Solaris operating system requires HBA I/O driver software. The driver functions at a layer below the Solaris SCSI driver to present Fibre Channel devices to the operating system as if they were standard SCSI devices.

Removing CLARiiON failover software

If CLARiiON failover software (ATF/CDE) is installed in the host, you must remove it before installing the HBA driver. After you have installed the HBA driver, you may reinstall the failover software.

Be sure you have the latest qualified driver software. If necessary, you can download the driver from the Emulex website (as described later in this procedure). Refer to release notes provided with the driver for information that might be unique to new driver revisions.

The next step depends on the type of installation, and the existing driver if you are upgrading to the latest. The v4.x driver was different for SBus HBAs than for PCI HBAs, but the v5.x driver is the same for both:

| Type of installation | Current driver | Go to: |
|----------------------|------------------|---|
| New | N/A | "Installing a new driver" on page 15 |
| Upgrade | v4.x SBus | "Upgrading a 4.x SBus driver to 5.x or higher" on page 19 |
| | V4.x PCI or v5.x | "Upgrading a 4.x PCI or 5.x driver to 5.x or higher" on page 23 |

Installing a new driver

Follow these steps to perform a first-time install.

Obtain the latest driver

From the Emulex website:

1. Use a web browser to access this link:

<http://www.emulex.com/ts/docoem/framemc.htm>

2. Click the link to your HBA model.

3. Under **Drivers for Solaris**, find the correct driver version (as shown in the *EMC Support Matrix*) for your HBA, and click **Installation and Configuration** in the **Online Manuals** column.
4. Proceed to [“Install the driver” on page 16](#).

From the Emulex CD-ROM:

1. Insert the Emulex CD-ROM.
2. Make an `/emulex` directory:


```
mkdir /emulex
```
3. Change to the driver directory:


```
cd /cdrom/emulex/solaris_sparc/driver
```
4. Copy the Driver and Applications kit to the host:


```
cp Solaris-xxx.tar /emulex
```

where `xxx` is the kit revision.
5. Proceed to [“Install the driver”](#).

Install the driver

After you have the latest driver:

1. Change to the `/emulex` directory (to which you copied the Driver and Applications kit) and untar the kit:

```
cd /emulex
tar xvf Solaris-xxx.tar
```

When the untar is completed you will find these components:

- `lpfc-yyy-sparc.tar` (where `yyy` is the driver revision) — Emulex Fibre Channel Solaris driver
 - `EmlxAppsZZZ-Solaris.tar` (where `ZZZ` is the application kit version) — Emulex Applications Kit (containing: **lputil**, **HBAAPI**, **HBAAnyware**, and documentation)
 - `readme.first.txt`
2. Install the driver:

```
tar xvf lpfc-yyy-sparc.tar
pkgadd -d .
```


3. You are prompted:

Select package(s) you wish to process (or 'all' to process all packages). (default: all) [?,??,q]:

- To accept the default value, press **ENTER**
- If you need help, type ? or ?? and press **ENTER**.

4. You are prompted:

Rebuild manual pages database for section 7d [y,n,?]

Read the following note, then press either Y or N.

Note: Section 7d of the online **man** pages contains the manual pages for **lpfc**. Normally the **catman** command can be run to create preformatted versions of the online manual from the **nroff(1)** input files. Each manual page is examined and those whose preformatted versions are missing or out of date are recreated. If any changes are made, **catman** recreates the windex database. Depending on your system, this operation can take from 1 to 10 minutes. If you enter N, the **catman** will be skipped, allowing the installation to complete quickly. The skipped **catman** command will be output for the administrator to run later, if desired.

5. You are prompted:

Use IP networking over Fibre Channel [y,n,?]:

Press N to disable IP networking through the Emulex card.

6. You are prompted:

Do you want to continue with the installation of <lpfc> [y,n,?]:

Press Y to confirm the installation.

7. The installation package continues the installation. When it finishes, you are prompted:

Select package(s) you wish to process (or 'all' to process all packages). (default: all) [?,??,q]:

Press Q to quit the installation package. The following appears:

```
***IMPORTANT NOTICE ***
This machine must now be rebooted in order to ensure
safe operation.
```

Do not reboot yet. (You will reboot at the end of this procedure.)

8. Install the Emulex Applications Kit:

```
tar xvf EmlxAppsZZZ-Solaris.tar
unpack_apps
gunzip HBAnyware-VVV-sparc.tar.gz
tar xvf HBAnyware-VVV-sparc.tar
pkgadd -d .
```

where *ZZZ* is the application kit version and *VVV* is the HBAnyware version.

Note: Run `unpack_apps` script to obtain correct package version if you are installing the Emulex application kit version 300a76 (EmlxApps300a76-Solaris.tar).

9. You are prompted:

```
Select package(s) you wish to process (or 'all' to
process all packages). (default: all) [?,?,q]:
```

Select **HBAnyware** and press **ENTER**.

10. You are prompted:

```
Do you want to continue with the installation of
<HBAnyware> [yn,?]
```

Press **y** to confirm the installation.

11. When the installation finishes, you are prompted:

```
Select package(s) you wish to process (or 'all' to
process all packages). (default: all) [?,?,q]:
```

Press **Q** to quit the installation package.

**CAUTION**

EMC has not qualified the Emulex HBAnyware GUI with Solaris. Please contact Emulex for support on HBAnyware GUI.

12. Edit any necessary files as described under [“Incorporating EMC Fibre Channel” on page 27](#).13. Reboot the host with the `-r` (reconfigure) option:

```
reboot -- -r
```

Upgrading a 4.x SBus driver to 5.x or higher

If you are upgrading from a v4.x SBus driver to any v5.x or higher driver, follow these steps.

Back up files and remove the old driver

1. Back up the configuration file:


```
cp /kernel/drv/lpfs.conf /kernel/drv/lpfs.conf.bak
```
2. Back up the `sd.conf` file:


```
cp /kernel/drv/sd.conf /kernel/drv/sd.conf.bak
```
3. Back up the `path_to_inst` file:


```
cp /etc/path_to_inst /etc/path_to_inst.bak
```
4. Remove the 4.x driver:


```
pkgrm lpfs
```
5. Restore the `path_to_inst` file:


```
cp /etc/path_to_inst.bak /etc/path_to_inst
```
6. Proceed to [“Obtain the latest driver,”](#) next.

Obtain the latest driver

From the Emulex website:

1. Use a web browser to access this link:


```
http://www.emulex.com/ts/docoem/framemc.htm
```
2. Click the link to your HBA model.
3. Under **Drivers for Solaris**, find the correct driver version (as shown in the *EMC Support Matrix*) for your HBA, and click **Installation and Configuration** in the **Online Manuals** column.
4. Proceed to [“Install the driver”](#) on page 20.

From the Emulex CD-ROM:

1. Insert the Emulex CD-ROM.
2. Make an `/emulex` directory:


```
mkdir /emulex
```
3. Change to the driver directory:


```
cd /cdrom/emulex/solaris_sparc/driver
```

4. Copy the Driver and Applications kit to the host:

```
cp Solaris-xxx.tar /emulex
```

where *xxx* is the kit revision.

5. Proceed to “[Install the driver](#),” next.

Install the driver

After you have the latest driver:

1. Change to the `/emulex` directory (to which you copied the driver and applications kit), and untar the kit:

```
cd /emulex
tar xvf Solaris-xxx.tar
```

When the untar is completed you will find these components:

- `lpfc-yyy-sparc.tar` (where *yyy* is the driver revision) — Emulex Fibre Channel Solaris driver
- `EmlxAppsZZZ-Solaris.tar` (where *ZZZ* is the application kit version) — Emulex Applications kit (containing: **lputil**, **HBAAPI**, **HBAAnyware**, and documentation)
- `readme.first.txt`

2. Install the driver:

```
tar xvf lpfc-yyy-sparc.tar
pkgadd -d .
```

3. You are prompted:

```
Select package(s) you wish to process (or 'all' to
process all packages). (default: all) [?,?,q]:
```

- To accept the default value, press **ENTER**.
- If you need help, type `?` or `??` and press **ENTER**.

4. You are prompted:

```
Rebuild manual pages database for section 7d [y,n,?]:
```

Read the following note, then press either Y or N.

Note: Section 7d of the online **man** pages contains the manual pages for **lpfc**. Normally the **catman** command can be run to create preformatted versions of the online manual from the **nroff(1)** input files. Each manual page is examined and those whose preformatted versions are missing or out of date are recreated. If any changes are made, **catman** recreates the windex database. Depending on your system, this operation can take from 1 to 10 minutes. If you enter N, the **catman** will be skipped, allowing the installation to complete quickly. The skipped **catman** command will be output for the administrator to run later, if desired.

5. You are prompted:

```
Use IP networking over Fibre Channel [y,n,?]:
```

Press **n** to disable IP networking through the Emulex card.

6. You are prompted:

```
Do you want to continue with the installation of <lpfc>
[y,n,?]:
```

Press **y** to confirm the installation.

7. The installation package continues the installation. When it finishes, you are prompted:

```
Select package(s) you wish to process (or 'all' to
process all packages). (default: all) [?,??,q]:
```

Press **Q** to quit the installation package. The following appears:

```
***IMPORTANT NOTICE ***
This machine must now be rebooted in order to ensure
safe operation.
```

Do not reboot yet. (You will reboot at the end of this procedure.)

8. Install the Emulex Applications Kit:

```
tar xvf EmlxAppsZZZ-Solaris.tar
gunzip HBAnyware-VVV-sparc.tar.gz
tar xvf HBAnyware-VVV-sparc.tar
pkgadd -d .
```

where *ZZZ* is the application kit version and *VVV* is the HBAnyware version.

9. You are prompted:

Select package(s) you wish to process (or 'all' to process all packages). (default: all) [?,??,q]:

Select **HBAnyware** and press **ENTER**.

10. You are prompted:

Do you want to continue with the installation of <HBAnyware> [yn,?]

Press **Y** to confirm the installation.

11. When the installation finishes, you are prompted:

Select package(s) you wish to process (or 'all' to process all packages). (default: all) [?,??,q]:

Press **Q** to quit the installation package.

**CAUTION**

EMC has not qualified the Emulex HBAnyware GUI with Solaris. Please contact Emulex for support on HBAnyware GUI.

12. Restore any customized parameter settings in `sd.conf` and `lpfc.conf`:

- a. Copy `/kernel/drv/sd.conf.bak` to `/kernel/drv/sd.conf`.
- b. Merge `/kernel/drv/lpfs.conf.bak` with `/kernel/drv/lpfc.conf`.
- c. Rename all occurrences of **lpfs** to **lpfc** in both `/kernel/drv/sd.conf` and `/kernel/drv/lpfc.conf`.

13. Edit any necessary files as described under [“Incorporating EMC Fibre Channel” on page 27](#)14. Reboot the host with the `-r` (reconfigure) option:

```
reboot -- -r
```

Upgrading a 4.x PCI or 5.x driver to 5.x or higher

If you are upgrading from a v4.x PCI driver or an older v5.x driver to any v5.x or higher driver, follow these steps.

Back up files and
remove the old driver

1. Back up the configuration file:


```
cp /kernel/drv/lpfc.conf /kernel/drv/lpfc.conf.bak
```
2. The next step depends on the current installed driver version:
 - If the version is 5.01b or older, go to step 3.
 - If the version is later than 5.01b, remove the HBAnyware application:


```
pkgrm HBAnyware
```
3. Remove the old driver:


```
pkgrm lpfc
```
4. Proceed to “[Obtain the latest driver](#)”.

Obtain the latest
driver

From the Emulex website:

1. Use a Web browser to access this link:


```
http://www.emulex.com/ts/docoem/framemc.htm
```
2. Click the link to your HBA model.
3. Under **Drivers for Solaris**, find the correct driver version (as shown in the *EMC Support Matrix*) for your HBA, and click **Installation and Configuration** in the **Online Manuals** column.
4. Proceed to “[Install the driver](#)”.

From the Emulex CD-ROM:

1. Insert the Emulex CD-ROM.
2. Make an /emulex directory:


```
mkdir /emulex
```
3. Change to the driver directory:


```
cd /cdrom/emulex/solaris_sparc/driver
```
4. Copy the Driver and Applications kit to the host:


```
cp Solaris-xxx.tar /emulex
```

where *xxx* is the kit revision.

5. Proceed to “Install the driver” on page 24.

Install the driver

After you have the latest driver:

1. Change to the `/emulex` directory (to which you copied the Driver and Applications kit) and untar the kit:

```
cd /emulex
tar xvf Solaris-xxx.tar
```

When the untar is completed you will find these components:

- `lpfc-yyy-sparc.tar` (where *yyy* is the driver revision) — Emulex Fibre Channel Solaris driver
- `EmlxAppsZZZ-Solaris.tar` (where *ZZZ* is the application kit version) — Emulex Applications kit (containing: **lputil**, **HBAAPI**, **HBAanyware**, and documentation)
- `readme.first.txt`

2. Install the driver:

```
tar xvf lpfc-yyy-sparc.tar
pkgadd -d .
```

3. You are prompted:

```
Select package(s) you wish to process (or 'all' to
process all packages). (default: all) [?,??,q]:
```

- To accept the default value, press ENTER
- If you need help, type `?` or `??` and press ENTER.

4. You are prompted:

```
Rebuild manual pages database for section 7d [y,n,?]:
```

Read the following note, then press either Y or N.

Note: Section 7d of the online **man** pages contains the manual pages for **lpfc**. Normally the **catman** command can be run to create preformatted versions of the online manual from the **nroff(1)** input files. Each manual page is examined and those whose preformatted versions are missing or out of date are recreated. If any changes are made, **catman** recreates the windex database. Depending on your system, this operation can take from 1 to 10 minutes. If you enter N, the **catman** will be skipped, allowing the installation to complete quickly. The skipped **catman** command will be output for the administrator to run later, if desired.

5. You are prompted:

```
Use IP networking over Fibre Channel [y,n,?]:
```

Press **N** to disable IP networking through the Emulex card.

6. You are prompted:

```
Do you want to continue with the installation of <lpfc>
[y,n,?]:
```

Press **Y** to confirm the installation.

7. The installation package continues the installation. When it finishes, you are prompted:

```
Select package(s) you wish to process (or 'all' to
process all packages). (default: all) [?,??,q]:
```

Press **Q** to quit the installation package. The following appears:

```
***IMPORTANT NOTICE ***
This machine must now be rebooted in order to ensure
safe operation.
```

Do not reboot yet. (You will reboot at the end of this procedure.)

8. Install the Emulex Applications Kit:

```
tar xvf EmlxAppsZZZ-Solaris.tar
gunzip HBAnyware-VVV-sparc.tar.gz
tar xvf HBAnyware-VVV-sparc.tar
pkgadd -d .
```

where *ZZZ* is the application kit version and *VVV* is the HBAnyware version.

9. You are prompted:

```
Select package(s) you wish to process (or 'all' to
process all packages). (default: all) [?,??,q]:
```

Select **HBAnyware** and press **ENTER**.

10. You are prompted:

```
Do you want to continue with the installation of
<HBAnyware> [yn,?]
```

Press **Y** to confirm the installation.



CAUTION

EMC has not qualified the Emulex HBAnyware GUI with Solaris. Please contact Emulex for support on HBAnyware GUI.

11. When the installation finishes, you are prompted:

```
Select package(s) you wish to process (or 'all' to  
process all packages). (default: all) [?,??,q]:
```

Press **Q** to quit the installation package.

12. Restore any customized parameter settings in
`/kernel/drv/lpfc.conf.bak` to `/kernel/drv/lpfc.conf`.
13. Edit any necessary files as described under [“Incorporating EMC Fibre Channel”](#) on page 27.
14. Reboot the host with the `-r` (reconfigure) option:

```
reboot -- -r
```

Incorporating EMC Fibre Channel

Once the EMC storage array has devices assigned with device addresses, the host can see all the target EMC devices assigned to that interface. Devices are presented to the host in the same manner as devices accessed through a standard SCSI interface.

To ensure smooth integration and maximum performance from the host and the EMC storage array, you must edit these files (as described in detail later):

- ◆ Emulex driver configuration file `lpfc.conf` — Refer to [“Editing lpfc.conf” on page 29](#).
- ◆ Host sd driver configuration file `sd.conf` — Refer to [“Adding Target IDs and LUNS” on page 39](#).
- ◆ System specification file `etc/system` — Refer to [“Editing /etc/system” on page 41](#).

After editing the files, type `reboot -- -r` and press **ENTER**. This reboots the host with the `-r` (reconfigure) option, which rebuilds the kernel and implements the changes.

Fabric environment specifics

The Emulex HBA and the EMC storage array act as separate nodes that participate in the same switched fabric environment. Therefore, prior to the setup of the Emulex HBA driver file (`lpfc.conf`), the administrator must enable the storage array to participate in the fabric. The administrator must also configure the switch to enable the EMC storage array and the hosts to "see" each other. (Refer to the user manual for the switch.)

Persistent binding implementation

Emulex persistent binding is implemented through both `/kernel/drv/lpfc.conf` and `/kernel/drv/sd.conf`. The matching between the EMC storage array port, host adapter instance, and target ID occurs inside `lpfc.conf`. On the other hand, the matching between the target ID, host adapter instance, and LUN occurs inside `sd.conf`. All of these configurations assume that the settings for the persistent binding in `lpfc.conf` is enabled and the EMC storage array is being configured in the physical addressing mode (on Symmetrix, V-bit is disabled).



CAUTION

The modification of the default entries (target 0 to target 15) inside `/kernel/drv/sd.conf` might cause the host machine fail to boot properly because the Solaris operating system uses targets 0 to 15 as the reference or the bind to the internal boot drive.

Inside `lpfc.conf`, the EMC storage array port (target) is mapped against a target number that is defined as one of the entries inside `sd.conf`. The mapping is done by defining the `lpfcXtY` properties, where the `X` corresponds to the driver instance number, and the `Y` is the target ID. Note that this target ID does not correspond to the loop ID defined by the Fibre Channel `AL_PA` (as in an arbitrated loop configuration); however, it is a logical definition of the relationship between the EMC storage array port ID and the device address.

Although the current Emulex HBA driver enables three different binding methods (World Wide Node Name, World Wide Port Name, and DID), the recommended setup uses the World Wide Port Name (WWPN).

The format for a bind entry is `NNNNNNNNNNNNNNNNNN:lpfcXtY`, where:

- ◆ `NNNNNNNNNNNNNNNNNN` is a 16-digit BCD representation of the WWPN of the EMC storage array port.

On the Symmetrix, the World Wide Node Name (WWNN) and WWPN of an FA port are the same. and they can be displayed by using the Inlines `e2` command. The output is similar to the following example for Fibre Channel port 1A, with a WWPN of 50080482b8912b8e:

| | | | | |
|---------|----------|---|----------|--|
| WWN HI | 50080482 | / | 50080482 | |
| WWN LOW | b8912b8e | / | b8912b8e | |
| | } WWNN | | } WWPN | |

- ◆ `X` is the driver instance number.

You can determine the driver instance number `X` or `lpfcX` by using a Fibre Channel loopback connector to identify the `lpfcX` number that corresponds to the path to the Fibre Channel port.

- ◆ `Y` is the target assignment.

Multiple entries must be separated by a comma (,) with the last entry terminated by a semi-colon (;). Target assignments, with all supported LUNs must also be configured in `sd.conf` or `st.conf`.

Sample entry:

```
fcp-bind-WWPN="50080482b8912b8e:lpfc0t0",
              "50080482b8912b9e:lpfc0t1";
```

Using lputil to set up persistent binding

The Emulex driver comes with a utility called **lputil** to set up persistent binding (among other functions). To set up binding, follow these steps, repeating them for each adapter:

1. Type the following and press **ENTER**:

```
/usr/sbin/lpfc/lputil
```

This displays a menu.

2. Select **5. - Persistent Bindings**.
3. Select **5. - Bind Automapped Targets**.
4. Select an adapter, **0-n**, where **n** is the number of adapters installed in your system.
5. For Bind all auto-mapped targets? (Y/N) = >, select **Y** (yes).
6. Select **2. - Bind by port name**.

Editing lpfc.conf

Configuration file `lpfc.conf` is created automatically by **pkgadd**. The file contains important information about how the driver should behave. If necessary, edit the file using the recommended setting (table_value) for each variable, as shown in [Table 1 on page 30](#). Descriptions of the variables follow the table.

Note: Changes to the configuration file will not take effect until the host is rebooted.

Table 1 Emulex Driver Configuration File (lpfc.conf) Variables and Recommended Settings (table_value)

| Variable | Default Value | Recommended Setting (table_value) | | |
|-------------------------|---------------------|--|--|--|
| | | If No PowerPath or VERITAS DMP | PowerPath or VERITAS DMP ^a | If CLARiiON with ATF ^b |
| log-verbose | 0 | 0x10 | 0x10 | 0 |
| log-only | 1 | 1 | 1 | 1 |
| fcplib-bind-method | 2 | FC-AL: 4 FC-SW: 2 | | |
| fcplib-bind-WWNN | none | 16-digit BCD with leading zeroes ^c | | none |
| fcplib-bind-WWPN | none | 16-digit BCD with leading zeroes ^c | | |
| fcplib-bind-DID | none | 6-digit BCD with leading zeroes ^c | | none |
| automap | 1 | 1 | 1 | 1 |
| lun-queue-depth | 30 | 20 | 20 | 20 |
| tgt-queue-depth | 0 | Symmetrix: 512 CLARiiON FC4500: 256 ^d CLARiiON FC5300: 256 ^d CLARiiON FC4700: 512 ^d CLARiiON CXseries: 512 ^d | Symmetrix: 512 CLARiiON FC4500: 256 ^d CLARiiON FC5300: 256 ^d CLARiiON FC4700: 512 ^d CLARiiON CXseries: 512 ^d | CLARiiON FC4500: 256 ^d CLARiiON FC5300: 256 ^d CLARiiON FC4700: 512 ^d CLARiiON CXseries: 512 ^d |
| lpfcNIM-lun-throttle | N/A | N/A | N/A | N/A |
| lpfcNIM-target-throttle | N/A | N/A | N/A | N/A |
| no-device-delay | 1 | 1 | 0 | 0 |
| network-on | 0 or 1 ^e | 0 or 1 ^e | 0 or 1 ^e | 0 or 1 ^e |
| xmt-que-size | 256 | 256 | 256 | N/A |
| scan-down | 1 | FC-AL: 1 FC-SW: N/A | FC-AL: 1 FC-SW: N/A | FC-AL: 1 FC-SW: N/A |
| linkdown-tmo | 30 | 60 | 60 | 60 |
| nodev-holdio | 0 | 1 | 0 | 0 |

Table 1 Emulex Driver Configuration File (lpfc.conf) Variables and Recommended Settings (table_value) (continued)

| Variable | Default Value | Recommended Setting (table_value) | | |
|-------------------------|---------------|-----------------------------------|---------------------------------------|-----------------------------------|
| | | If No PowerPath or VERITAS DMP | PowerPath or VERITAS DMP ^a | If CLARiiON with ATF ^b |
| nodev-tmo | 30 | 60 | 60 | 60 |
| delay-rsp-err | 0 | 0 | 0 | 0 |
| num-iocbs | 256 | 2048 | 2048 | 2048 |
| num-bufs | 128 | 1024 | 1024 | 1024 |
| topology | 0 | FC-AL: 4 FC-SW: 2 | FC-AL: 4 FC-SW: 2 | FC-AL: 4 FC-SW: 2 |
| ip-class | 3 | 3 | 3 | N/A |
| fcp-class | 3 | 3 | 3 | 3 |
| use-adisc | 0 | 0 | 0 | 0 |
| extra-io-tmo | 0 | 0 | 0 | 0 |
| post-ip-buf | 128 | N/A | N/A | N/A |
| dqfull-throttle-up-time | 1 | 1 | 1 | 1 |
| dqfull-throttle-up-inc | 1 | 1 | 1 | 1 |
| ack0 | 0 | 0 | 0 | 0 |
| cr-delay | 0 | 0 | 0 | 0 |
| cr-count | 1 | 1 | 1 | 1 |
| discovery-threads | 1 | 1 | 1 | 1 |
| link-speed | 0 | 0 | 0 | 0 |
| fdmi-on | 0 | 0 | 0 | 0 |

- a. PowerPath[®] v1.x and 2.x.x are supported for Symmetrix only.
- b. ATF and PowerPath cannot coexist on the same system.
- c. FC-SW only. Only one binding method can be used. With CLARiiON arrays, use only WWPN binding. Refer to the descriptions of these variables for examples.
- d. Refer to ["Optimizing the HBA driver in a CLARiiON environment" on page 50.](#)
- e. Enabled (1) or disabled (0) setting depends on the setup during driver installation.

Descriptions of lpfc.conf variables:

log-verbose

(bit mask) When set to non-zero this variable causes `lpfc` to generate additional messages concerning the state of the driver and the I/O operations it carries out. These messages may go to the system log file, `/var/adm/messages` and/or the system console.

log-only

- ◆ Set to 1 causes log messages are only logged to syslog.
- ◆ Set to 0 causes log messages are printed on the console and logged to syslog.

fcplib-bind-method

Define the method of binding to be used. This binding method is used for persistent binding and auto-mapped binding. A value of 1 will force WWNN binding, value of 2 will force WWPN binding and value of 3 will force DID binding. An `fcplib-bind-method` value of 4 will cause target ID assignment in a private loop environment to be based on the ALPA array (hard addressed). If a binding method is not specified for a port, WWNN binding will be used. Any persistent binding whose method does not match with the bind method of the port will be ignored.

fcplib-bind-WWNN

Setup persistent FCP bindings based on a target device's WorldWide Node Name(WWNN). This binding guarantees that target assignments will be preserved between reboots. The format for a bind entry is `NNNNNNNNNNNNNNNNNNNN:lpfcXtY` where `NNNNNNNNNNNNNNNNNNNN` is a 16-digit representation of the target's WWNN, `X` is the driver instance number, and `Y` is the target assignment. Multiple entries must be separated by a comma (,) with the last entry terminated with a semi-colon (;). Target assignments, with all supported LUNs must also be configured in `sd.conf` or `st.conf`. A sample entry follows:

```
fcplib-bind-WWNN="50060482cafd774d:lpfc1t0",
                  "50060482cafd776d:lpfc0t2";
```

fcplib-bind-WWPN

Setup persistent FCP bindings based on a target device's WorldWide Port Name (WWPN). This binding guarantees that target assignments are preserved between reboots. The format for a bind entry is `NNNNNNNNNNNNNNNNNNNN:lpfcXtY` where `NNNNNNNNNNNNNNNNNNNN` is a 16 digit representation of the target's WWPN, `X` is the driver instance number and `Y` is the target assignment. Multiple entries must be

separated by a comma (,) with the last entry terminated with a semi-colon (;). Target assignments, with all supported LUNs must also be configured in `sd.conf` or `st.conf`. A sample entry follows:

```
fcplib-bind-WWPN="50060482cccd7744:lpfc1t0";
```

fcplib-bind-DID

Setup persistent FCP bindings based on a target device's Port ID. This binding guarantees that target assignments are preserved between reboots. The format for a bind entry is `NNNNNN:lpfcXtY` where `NNNNNN` is a 6 digit representation of the targets Port ID, `X` is the driver instance number and `Y` is the target assignment. Multiple entries must be separated by a comma (,) with the last entry terminated with a semi-colon (;). Target assignments, with all supported LUNs must also be configured in `sd.conf` or `st.conf`. A sample entry follows:

```
fcplib-bind-DID="0000ef:lpfc0t0";
```

automap

If `automap` is 1, SCSI IDs for all FCP nodes without persistent bindings are automatically generated based on the bind method of the corresponding HBA port. If FCP devices are added to or removed from the Fibre Channel network when the system is down, there is no guarantee that these SCSI IDs will remain the same when the system is booted again. If `automap` is 0, only devices with persistent bindings are recognized by the system.

lun-queue-depth

The driver uses this value as the default limit for the number of simultaneous commands to issue to a single logical unit on a single target on the loop. A single logical unit is never sent more commands than allowed by `lun-queue-depth`; however, less may be sent when `sd-max-throttle` or `tgt-queue-depth` is reached for the entire target.

tgt-queue-depth

The driver uses this value as the default limit for the number of simultaneous commands to issue to a single target on the loop. A value of 0 causes no target throttling to occur. A single target will never be sent more commands than allowed by `tgt-queue-depth`; however, less may be sent when `sd-max-throttle` is reached for the entire target.

lpfcNtM-lun-throttle

Define the maximum number of outstanding commands to permit for any logical unit on a specific target. This value overrides `lun-queue-depth`.

lpfcNtM-tgt-throttle

Define the maximum number of outstanding commands to permit for any target, including all LUNs on that target. This value overrides `tgt-queue-depth`.

no-device-delay

This variable (0 to 30 seconds) determines the length of the interval between deciding to fail an I/O because there is no way to communicate with its particular device (for example, due to device failure or device removal) and actually failing the command. A value of zero implies no delay whatsoever. This delay is specified in seconds. A minimum value of 1 (1 second) is recommended when communicating with any Tachyon-based device.

network-on

This variable controls whether lpfc provides IP networking functionality over Fibre Channel. This variable is a Boolean: when zero (0), IP networking is disabled; when one (1), IP networking is enabled.

xmt-que-size

This variable specifies the number of network packets that can be queued or outstanding at any time in the driver. Increase this setting for better IP performance under heavy loading.

scan-down

The two scanning algorithms used to discover a node in a private loop are:

- ◆ If `scan-down` is 1, devices on the private loop are scanned starting from ALPA 0x01 through ALPA 0xEF.
- ◆ If `scan-down` is 0, devices on the private loop are scanned starting from ALPA 0xEF through ALPA 0x01.

Scan-down values 0 and 1 do not apply if a loop map is obtained.

linkdown-tmo

Determine how long the driver will wait [0 - 255] to begin linkdown processing when the hba link has become inaccessible. Linkdown processing includes failing back commands that have been waiting for the link to come back up. Units are in seconds. linkdown-tmo works in conjunction with nodev-tmo. I/O will fail when either of the two expires.

nodev-holdio

This variable controls if I/O errors are held by the driver if a device on the loop disappears. If set, I/O errors will be held until the device returns back to the loop (potentially indefinitely). The upper sd layer may retry the command once the error is returned.

nodev-tmo

This variable controls how long I/O errors are held by the driver if a device on the loop disappears. If set, I/O errors will be held for the specified number of seconds. The upper sd layer may retry the command once the error is returned.

delay-rsp-err

The driver will delay FCP RSP errors being returned to the upper SCSI layer based on the `no-device-delay` configuration parameter.

num-iocbs

This variable indicates the number of Input/Output control block (IOCB) buffers to allocate. IOCBs are internal data structures used to send and receive I/O requests to and from the LightPulse hardware. Too few IOCBs can temporarily prevent the driver from communicating with the adapter, thus lowering performance. (This condition is not fatal.) If you run heavy IP traffic, you should increase `num-iocbs` for better performance.

num-bufs

This variable specifies the number of command buffers to allocate. These buffers are used for Fibre Channel Extended Link Services (ELS), and one for each FCP command issued in SLI-2 mode. If you want to queue lots of FCP commands to the adapter, then you should increase `num-bufs` for better performance. These buffers consume physical memory and are also used by the device driver to process loop initialization and re-discovery activities. *Important: The driver must always be configured with at least several dozen ELS command buffers; we recommend at least 128.*

topology

This variable controls the Fibre Channel topology expected by lpfc at boot time. Fibre Channel offers point-to-point, fabric, and arbitrated loop topologies. This variable epath namencodes these topologies as follows:

0 Attempt loop mode, if it fails attempt point-to-point mode

- ◆ 2 Attempt point-to-point mode only
- ◆ 4 Attempt loop mode only
- ◆ 6 Attempt point-to-point mode, if it fails attempt loop mode

To make the adapter operate as an N_Port, select point-to-point mode (used for N_Port to F_Port, and N_Port to N_Port connections). To make the adapter operate in a Fibre Channel loop as an NL_Port, select loop mode (used for private loop and public loop topologies). The driver will reject an attempt to set the topology to a value not in the above list. The auto-topology settings 0 and 6 will not work unless the adapter is using firmware version 3.20 or higher.

ip-class

Fibre Channel is capable of transmitting IP data in Class 2 or Class 3. The lpfc driver defaults to using Class 3 transmission.

fcp-class

The lpfc driver is capable of transmitting FCP data in Class 2 or Class 3. The lpfc driver defaults to using Class 3 transmission.

use-adisc

This variable controls the ELS command used for FCP address authentication during discovery. If set, ADISC is used, otherwise, PLOGI is used.

extra-io-tmo

Extra timeout value, in seconds, to be applied to each FCP command sent. When connecting through a large fabric, certain devices may require a longer timeout value.

post-ip-buf

This variable specifies the number of 4K STREAMS buffers to allocate and post to the fibre channel IP ring. Increase this setting for better IP performance under heavy loading.

dqfull-throttle-up-time and **dqful-throttle-up-inc**

These parameters cause the lpfc driver to decrement a LUN's queue depth, if a queue full condition is received from the target. The queue depth will be decremented down to a minimum of 1. The variables `dqfull-throttle-up-inc` and `dqfull-throttle-up-time` are used to restore the queue depth back to the original. The `dqfull-throttle-up-time` parameter defines a time, in seconds, that is used to tell when to increase the current queue depth. If the current queue depth is not equal to the `lun-queue-depth`, and the driver `stop_send_io` flag is equal to 0 for that device, increment the current queue depth by `dqfull-throttle-up-inc` (don't exceed the `lun-queue-depth`). So, if both parameters are set to 1, then driver increments the current queue depth once per second until it hits the `lun-queue-depth`. The only other way to restore the queue depth (besides rebooting), back to the original LUN throttle, is by running the command `/usr/sbin/lpfc/resetqdepth X`. This will restore the LUN throttle of all LUNs for adapter `X` back to the original value.

ack0

If `ack0` is 1, the adapter will try to use ACK0 when running Class 2 traffic to a device. If the device doesn't support ACK0, then the adapter will use ACK1. If `ack0` is 0, only ACK1 will be used when running Class 2 traffic.

cr-delay

This value specifies a count of milliseconds after which an interrupt response generated if `cr-count` has not been satisfied. This value is set to 0 to disable the Coalesce Response feature as default.

cr-count

This value specifies a count of I/O completions after which an interrupt response is generated. This feature is disabled if `cr-delay` is set to 0.

discovery-threads

This value specifies the number of threads permissible during device discovery. A value of 1 serializes the discovery process.

link-speed

This causes lpfc to set the adapter link speed to auto-detect (0), 1 gigabit/sec (1) or 2 gigabit/sec (2). This setting only applies to the LightPulse 9002, 9002S, 9802 and 10000 adapters.

fdmi-on

This parameter controls the fdmi capability of the lpfc driver. If set to 0 (default), fdmi is disabled. A value of 1 enables fdmi without registration of "host name" port attribute, while a value of 2 enables fdmi with registration of "host name" port attribute.

Determining the driver instance number (x) in a CLARiiON environment

If the HBA driver is managing HBAs for other heterogeneous storage devices, you may wish to have the variables apply to a specific Emulex adapter. This can be done by prefixing the configuration file variables with HBA adapter instance number.

To determine to driver instance number, as represented by x when appending configuration file variables, do the following:

1. List the devices in the `/dev/rdisk` directory — select only slice `s2`. Refer to the following example:

```
atf-sun-2 [5.7]: ls /dev/rdisk/*s2
/dev/rdisk/c0t0d0s2 /dev/rdisk/c1t0d1s2 /dev/rdisk/c2t0d0s2 /dev/rdisk/c2t0d3s2
/dev/rdisk/c0t6d0s2 /dev/rdisk/c1t0d2s2 /dev/rdisk/c2t0d1s2
/dev/rdisk/c1t0d0s2 /dev/rdisk/c1t0d3s2 /dev/rdisk/c2t0d2s2
```

2. Select one LUN per controller to find the path for that controller (or adapter), as shown in the following example:

```
atf-sun-2 [5.7]: ls -al /dev/rdisk/c1t0d3s2

lrwxrwxrwx  1 root    root          54 Sep 27 14:58
/dev/rdisk/c1t0d3s2 ->
../../../../devices/pci@1f,4000/fibre-channel@2/sd@0,3:c,raw
```

Note: The path could contain **fibre-channel** or **lpfc**.

3. Use the underlined path in the example above to find the related instance number in the `/etc/path_to_inst` directory for this adapter.

```
atf-sun-2 [5.7]: grep "pci@1f,4000/fibre-channel@2"
/etc/path_to_inst | grep "\"lpfc\""

"/pci@1f,4000/fibre-channel@2" 2 "lpfc"
```

This finds the instance number (underlined in the example above) used in `/kernel/drv/lpfc.conf` and used to set the variable attributes for that adapter, for example:

```
lpfc2-topology=2;
```

Note: On occasion multiple entries exist for a particular path in the `path_to_inst` file, making it difficult to find the actual instance number being used. However, executing the command `prtconf > /tmp/output` will show all the adapters configured by the system. Looking through the output for the driver name **fibre-channel** (or **lpfc**) will show if the instance number found in step 3 is actually configured on the system.

Adding Target IDs and LUNS

EMC storage array devices are addressed using Target IDs and LUNs. The Solaris configuration file `/kernel/drv/sd.conf` should contain all Targets and LUNs that a user may want to access. Devices accessed via Emulex Fibre Channel adapters and Emulex driver can be up to 512 Targets with a maximum of 256 LUNs per target.

Before editing the current `/kernel/drv/sd.conf` file, use the following command to make a copy of it in case the file is lost or errors are made:

```
cp /kernel/drv/sd.conf /kernel/drv/sd.conf.bak
```

When editing the file `sd.conf`, follow these precautions:

- ◆ Do not delete any original data from this file.
- ◆ Do not insert hidden format characters. The file is very sensitive to hidden format characters, and a misplaced tab or other formatting character can make all subsequent entries unreadable.
- ◆ Enter all Target and LUN values in decimal format.

Use the following format to construct entries in the `sd.conf` file for the desired target ID and LUN:

```
name="sd" class="scsi" target=X lun=Y;
```

The following sample `sd.conf` file illustrates how to add LUNs, connected to a Fibre Channel HBA, to `sd.conf`. The lines in bold are added to the file. This example adds LUNs to SP A (target 5) and SP B (target 6) of a CLARiiON storage system.

```

name="sd" class="scsi" target=5 lun=0;
name="sd" class="scsi" target=5 lun=1;
name="sd" class="scsi" target=5 lun=2;
name="sd" class="scsi" target=5 lun=3;
name="sd" class="scsi" target=5 lun=4;
name="sd" class="scsi" target=5 lun=5;

name="sd" class="scsi" target=6 lun=0;
name="sd" class="scsi" target=6 lun=1;
name="sd" class="scsi" target=6 lun=2;
name="sd" class="scsi" target=6 lun=3;
name="sd" class="scsi" target=6 lun=4;
name="sd" class="scsi" target=6 lun=5;

```

If Emulex driver 5.x or older is used, you have to reboot the host for the change in the `sd.conf` file to take effect.

Driver 6.x or later supports adding new Target IDs and LUNs without rebooting even if the unassigned Target IDs and LUNs were not in `sd.conf` at the last system reboot. The instructions for dynamically adding new devices is described in the *Manual Set Emulex Documentation Drivers and Software*, which can be obtained from:

<http://www.emulex.com/ts/docfc/solframe.htm>

FC-AL specifics

The target ID needed to address a device is determined by the Fibre Channel Arbitrated Loop Physical Address (AL_PA). A loop ID of 00 (AL_PA of EF) will have LUNS behind Target ID 0, loop ID 01 has LUNs on Target ID 1, and so on.

Because each Fibre Channel port can have only one loop ID (or AL_PA), all devices accessed through a port will have the same Target ID. If you need to access existing devices that previously had multiple Target IDs, you must be aware of changes required for raw device addressing.

Note: In an arbitrated loop configuration, with `fc-bind-method=4`, SCSI IDs are hard-coded based on the Loop ID. This parameter maintains backward compatibility with EMC storage Loop ID assignment. For example, if a Symmetrix FA has a Loop ID of 32 (0x20), the `sd.conf` target is also 32.

Editing /etc/system

Operation in a Solaris environment requires that some parameters in the file `/etc/system` must be modified, as described below.

Note: Changes to `/etc/system` will not take effect until the host is rebooted.

Note: The parameter `sd_max_throttle` must be modified specifically for Fibre Channel. Other settings apply to both standard SCSI and Fibre Channel.

1. Add this line: `set sd:sd_max_throttle=20`

A maximum throttle setting of 20 means that each host device instance will have no more than 20 commands outstanding (incomplete IO's from the standpoint of the operating system) at any given time. The value of 20 was arrived at by testing the incremental gains of increasing queue depth, and it was found that a queue depth of 20 represents a point where negligible incremental performance gains will usually be reached. It does not make sense to additionally offload IO onto the stack, and thereby unnecessarily use up resources throughout the stack, for no performance gain. A balance should be found.

In the case of metadevices (which have more physical devices on the back end and can thus physically process more IO's in parallel), it may be beneficial to increase the queue depth to 32. It is important to note that in Solaris the `sd_max_throttle` settings are global, so all devices including non-meta's will also be affected.

The max throttle setting of 20 is suitable for many environments. However, in some situations this value can be further fine tuned for configuration-specific optimizations. Your local EMC performance expert can assist with fine tuning recommendations, if any.

2. Add a line to set the I/O timeout. This setting prevents the host from issuing warning messages when non-disruptive operations are performed on the EMC storage array:

```
set sd:sd_io_time = 0x3C
```

Target and LUN blocking

The Target and LUN blocking feature is a method where the user can limit the `sd` driver from probing targets and LUNs on an adapter by adapter basis. Thus, this feature can be used to reduce system bootup time.

Use the following format to construct entries in the `sd.conf` file to probe a specific adapter (`lpfcZ`) for the desired Target ID and LUN.

```
name="sd" parent="lpfc" target=X lun=Y hba="lpfcZ";
```

This entry will not cancel the effect of any other `class="scsi"` entries for `target=X` and `lun=Y`. If the user wants the `sd` driver to probe only for `target=X` and `lun=Y` on adapter `lpfcZ`, the `class="scsi"` entries for `target-X` and `lun=Y` must be deleted.



CAUTION

Do not delete the SCSI boot disk Target and LUN entry in the `sd.conf` file. If you remove it, the system will not boot.

Partitioning and labeling new devices

Use the **format** command to partition and label new Fibre Channel devices. The devices will appear under `/dev/disk`.

To partition and label new devices:

1. At the **root prompt**, type **format** and press **ENTER**.

The host searches for all disks and displays a list, placing all unlabeled disks at the beginning of the list.

2. At the **Specify Disk** prompt, enter the number of the first EMC drive.
3. The **FORMAT MENU** appears. At the **format** prompt, type **label** and press **ENTER**.
4. At the **Disk not labeled. Label it now?** prompt, type **y** and press **ENTER**.
5. Type `disk` and press **ENTER** at the prompt to display a list of the disks.
6. Repeat steps 2 through 5 for each EMC disk.

Updating the HBA firmware

To update your firmware:

1. Copy the appropriate firmware file from the CD-ROM or the Emulex website to the appropriate directory, `/usr/sbin/lpfc:`

| HBA model | File |
|-------------------------------------|--|
| LP8000E-EMC | ddXXX.awc (where <i>XXX</i> is the version; for example: dd390a7.awc) |
| LP9002-E LP9002C-E LP9002DC-E | cdXXX.awc (where <i>XXX</i> is the version; for example: cd390a7.awc) |
| LP9002S-E | rfXXX.awc (where <i>XXX</i> is the version; for example: rf390a7.awc) |
| LP9802-E | hdXXX.all (where <i>XXX</i> is the version; for example: hd100a2.all) |
| LP10000-E LP10000DC-E | tdXXX.all (where <i>XXX</i> is the version; for example: td180a2.all) |

2. Start the firmware update utility:
`./lputil`
3. Select option **3 – Firmware Maintenance**.
4. Select the adapter number to update.
5. Select option **1 – Load Firmware Image**.
6. Type the full file name of the image file (as shown in the table in step 1; **cd390a7.awc**, for example) and press **ENTER**.
7. Select option **0 – Return to Main Menu**.
8. Repeat [Step 3](#) through [Step 7](#) for any other adapters.
9. If you are upgrading the firmware on the system that will boot from the EMC storage array, update the FCode as described under [“Updating the HBA FCode” on page 45](#).
10. If the HBA driver is version 5.x or older, the host must reboot for the upgrade firmware to take effect.



CAUTION

If you are using the HBA for booting, update the FCode *immediately* after updating the firmware, because the firmware upgrade overwrites parts of the FCode.

Updating the HBA FCode

To update your FCode support, follow these steps:

1. Make sure you have updated the firmware (as described under [“Updating the HBA firmware”](#) on page 44).
2. Copy the appropriate file for Open Boot support from the CD-ROM or the Emulex website to the appropriate directory, `/usr/sbin/lpfc:`

| HBA model | File |
|-------------------------------------|--|
| LP8000E-EMC | DOXXX.PRG (where XXX is the version; for example: DO140A0.PRG) |
| LP9002-E LP9002C-E LP9002DC-E | COXXX.PRG (where XXX is the version; for example: CO140A0.PRG) |
| LP9002S-E | TSCXXX.PRG (where XXX is the version; for example: TSC240A0.PRG) |
| LP9802-E | HOXXX.PRG (where XXX is the version; for example: HO140A0.PRG) |
| LP10000-E LP10000DC-E | TOXXX.PRG (where XXX is the version; for example: TO140A0.PRG) |

3. Start the FCode update utility:


```
./lputil
```
4. Select option **3 – Firmware Maintenance**.
5. Select the adapter number to update.
6. Select the appropriate option:

| HBA Bus | Select: |
|---------|-------------------------|
| PCI | 1 – Load Firmware Image |
| SBus | 6 – Load FCode Image |

7. Enter the full file name of the image file.
8. Select option **0 – Return to Main Menu**.
9. Repeat steps [Step 4](#) through [Step 8](#) for any other adapters.

10. Type `reboot -- -r` and press ENTER to reboot the host with the `-r` (reconfigure) option.



CAUTION

Make sure your storage array device path is `/pci/lpfc`. If you see that the path is `/pci/fibre_channel`, you must download the Fcode again and reboot the system with the command `reboot -- -rv`.

Creating a single-HBA zone in a CLARiiON environment

Note: This section applies only to fabric configurations with CLARiiON storage arrays.

EMC requires single-initiator zoning. This means that each HBA has a separate zone that contains it and the SP with which it communicates. The following zoning configuration rules apply:

- ◆ Fan-out of 32 initiators registered to each SP port on an FC4700 storage system and 15 hosts to one non-FC4700 storage system.
- ◆ Fan-in of four storage systems to one host.

How you set up a zone on a switch depends on the type of switches you are using.

- ◆ DS-8B, DS-16B, DS-16B2, DS-32B2, ED-12000B — Proceed to “[Creating a DS-xB or ED-12000B switch zone for each HBA,](#)” next.
- ◆ DS-16M, DS-16M2, DS-24M2, DS-32M, DS-32M2, ED-64, ED-140M, or ED-1032 — Refer to the documentation for the switch.

Creating a DS-xB or ED-12000B switch zone for each HBA

You use the Web Tools to zone a DS-8B, DS-16B, DS-16B2, DS-32B2, or ED-12000B. If you are unfamiliar with Web Tools or with how zoning operates on these switches, refer to the Web Tools user guides, zoning reference manuals, and Quickloop reference manuals, available at <http://Powerlink.EMC.com>, under Connectrix® in the Document Library.

To create a switch zone for each HBA, follow these steps:

1. Start **Web Tools** and click **Zone Admin**.

The **Zone Administrator** window opens.

Note: You may have to enter your username and password to access the **Zone Administrator** window.

2. In Web Tools, click **Zone Settings**.

The **Zone Settings** tab opens.

3. Click **Create Zone** to open the **Create Zone** dialog box.
4. Enter the name of the new zone.
5. For each member you want to add to the zone, select the member (HBA and SPs) by World Wide Port Name and click **Add Member**.
6. After adding all members to the zone, click **Apply**.
7. Click **Config Settings**.
8. Either create a new configuration as follows or select an existing configuration:

Note: Only one zone configuration can be active at a time.

- a. Click **Create Cfg** to open the **Create Cfg** dialog box.
 - b. Enter the name of the new configuration.
9. For each zone you created, select the zone, then click **Add Member**.
 10. Click **Enable Config**, and then click **Apply**.
 11. Repeat steps [Step 1](#) through [Step 10](#) to set up the zone settings and zone configuration settings for the second HBA.
 12. Reboot the host with the **-r** (reconfigure) option:

```
reboot -- -r
```

Note: Important: You *must* reboot now so the HBA can see the targets (SPs) that you configured through zoning.

Replacing HBAs connected to shared CLARiiON systems

Note: A shared CLARiiON storage system is a storage system with Access Logix software.

Follow these steps to replace an HBA connected to a shared storage system:

1. Stop all I/O to the storage systems connected to the HBA you are replacing.
2. Remove the connection path to the old HBA from each storage system's persistent memory, using these CLI commands:

a. `navicli port -list`

b. `navicli -removeHBA`

Refer to the CLI reference manual for information on this command.

3. Shut down Solaris on the server whose HBA you are replacing.
4. Power down the server.
5. Remove the HBA you want to replace and install the new HBA.
6. Power up the server.
7. After the HBA is registered with the Host Agent running on the server, reconnect any Storage Groups that you disconnected.

The HBA is registered with the Host Agent if the Connectivity Status dialog box in Manager shows **Yes** in the **Registered** column for the HBA.

8. In any switch zones that include the HBA, change the World Wide Port Name (WWPN) of the old HBA to the WWPN of the new HBA.
9. Reboot the host with the `-r` (reconfigure) option:

```
reboot -- -r
```

Optimizing the HBA driver in a CLARiiON environment

In a CLARiiON environment, if neither the CDE nor ATF option will be installed, optimize your configuration by following the appropriate procedure:

FC4500, FC5300, and FC5700 storage systems: FC-AL

Follow these steps:

1. In `/kernel/drv/lpfc.conf`, set parameters as follows:
 - In a single-server configuration:
 - Set **tgt-queue-depth** to the recommended setting (*table_value*) as listed in [Table 1 on page 30](#).
 - Calculate **lun-queue-depth** by dividing the **tgt-queue-depth** by the maximum number of LUNs bound per SP.
Example: If eight LUNs are bound to each SP for a CX600, you set **lun-queue-depth** to **64** ($512 / 8 = 64$).
 - Set **nodev-tmo** to **20**.
 - Set **dqfull-throttle** to **0**.
 - In a multi-server configuration:
 - Calculate **tgt-queue-depth** by dividing *table_value* by the maximum number of HBAs (initiators) connected to each SP. The maximum number of initiators per SP is as follows:

| Storage array | Maximum HBAs per SP |
|-------------------|---------------------|
| FC5300 | 2 |
| FC4500 | 2 |
| FC4700 | 2 |
| CX200/300/400/500 | 2 |
| CX600/700 | 4 |

Example: For a CX600 storage system, **tgt-queue-depth** is set to **128** ($512 / 4 \text{ HBAs} = 128$).

- Calculate **lun-queue-depth** by dividing the **tgt-queue-depth** by the maximum number of LUNs bound per SP.
Example: If 10 LUNs are bound to each SP in CX600 storage system, you would set this variable to **13** ($128/10$).
 - Set **nodev-tmo** to **20**.
 - Set **dqfull-throttle** to **0**.
2. Reboot the server (with a standard reboot) to make your changes take effect:
Reboot

FC4500, FC4700, and CX-Series storage systems: FC-SW

Follow these steps:

1. In `/kernel/drv/lpfc.conf`, set parameters as follows:
 - Calculate **tgt-queue-depth** by dividing 2000 (or 256 for the FC4500) by the maximum number of HBAs (initiators) that could have access to Storage Groups on each storage system.
Example (FC4700/CX600): If the fabric consists of four servers (each with two HBAs), each connected to one SP in each storage system through switches, you set the value to **250** ($2000/8$).
Example (FC4500): If the fabric consists of four servers (each with two HBAs), each connected to one SP in each storage system through switches, you set the value to **32** ($256/8$).
 - Calculate **lun-queue-depth** by dividing the **tgt-queue-depth** by the number of LUNs contained in the largest Storage Group to be accessed from the host being configured.
Example: If this host has access to two CX600 storage systems on the fabric with a Storage Group on each storage system, you divide **tgt-queue-depth** by the number of LUNs in the largest Storage Group. If the largest Storage Group has eight LUNs, you would set this variable to **32** ($250/8$).

Note: CDE or ATF sets other parameter values after you add persistent bindings. Refer to the *EMC Navisphere Server Software for Solaris Administrator's Guide* (P/N 069001068) for more information on these parameters and their values.

2. Reboot the server (with a standard reboot) to make your changes take effect:

`Reboot`

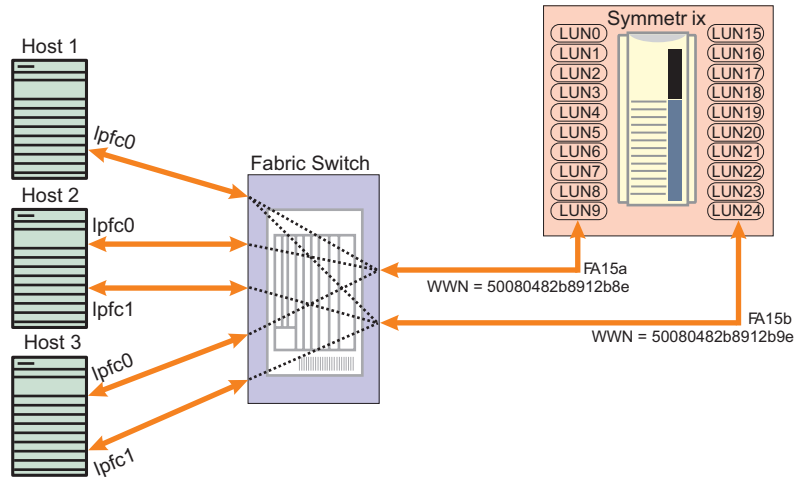
C3400/3500 storage systems

1. In `/kernel/drv/lpfc.conf`, set parameters as follows:
 - In a single-server configuration:
 - Set **`tgt-queue-depth`** to **128**.
 - Calculate **`lun-queue-depth`** by dividing the **`tgt-queue-depth`** (in this case 128) by the maximum number of LUNs bound per SP.
Example: If four LUNs are bound to each SP, you would set this variable to **32** ($128 / 4 = 32$).
 - Set **`nodev-tmo`** to **20**.
 - Set **`dqfull-throttle`** to **0**.
 - In a dual-server configuration:
 - Set **`tgt-queue-depth`** to **64**, allowing each initiator 64 outstanding I/Os per SP.
 - Calculate **`lun-queue-depth`** by dividing the **`tgt-queue-depth`** (in this case 64) by the maximum number of LUNs bound per SP.
Example: If four LUNs are bound to each SP, you would set this variable to **16** ($64 / 4 = 16$).
 - Set **`nodev-tmo`** to **20**.
 - Set **`dqfull-throttle`** to **0**.
2. Reboot the server (with a standard reboot) to make your changes take effect:

`Reboot`

Symmetrix/Fabric case study

This case study incorporates all of the information for the persistent binding setup and the host configuration files in a Solaris fabric environment.



| Host | HBA | FA | Target | LUNs |
|--------|-------|-----|--------|-----------|
| Host 1 | lpfc0 | 15a | 0 | 0-3 |
| | | 15b | 1 | 15-17 |
| Host 2 | lpfc0 | 15a | 0 | 4-6 |
| | lpfc1 | 15b | 1 | 18, 20 |
| Host 3 | lpfc0 | 15a | 0 | 7-9 |
| | lpfc1 | 15b | 1 | 19, 21-24 |

Host 1 In /kernel/drv/lpfc.conf:

```
fcplib-bind-WWPN= "50080482B8912B8E:lpfc0t0",
"50080482B8912B9E:lpfc0t1";
```

In /kernel/drv/sd.conf:

```
name="sd" parent="lpfc" target=0 lun=0 hba="lpfc0";
name="sd" parent="lpfc" target=0 lun=1 hba="lpfc0";
name="sd" parent="lpfc" target=0 lun=2 hba="lpfc0";
name="sd" parent="lpfc" target=0 lun=3 hba="lpfc0";
name="sd" parent="lpfc" target=1 lun=15 hba="lpfc0";
name="sd" parent="lpfc" target=1 lun=16 hba="lpfc0";
name="sd" parent="lpfc" target=1 lun=17 hba="lpfc0";
```

Sun2 In /kernel/drv/lpfc.conf:

```
fcplib-bind-WWPN= "50080482B8912B8E:lpfc0t0",
"50080482B8912B9E:lpfc1t1";
```

In /kernel/drv/sd.conf:

```
name="sd" parent="lpfc" target=0 lun=4 hba="lpfc0";
name="sd" parent="lpfc" target=0 lun=5 hba="lpfc0";
name="sd" parent="lpfc" target=0 lun=6 hba="lpfc0";
name="sd" parent="lpfc" target=1 lun=18 hba="lpfc1";
name="sd" parent="lpfc" target=1 lun=20 hba="lpfc1";
```

Sun3 In /kernel/drv/lpfc.conf:

```
fcplib-bind-WWPN= "50080482B8912B8E:lpfc0t0",
"50080482B8912B9E:lpfc1t1";
```

In /kernel/drv/sd.conf:

```
name="sd" parent="lpfc" target=0 lun=7 hba="lpfc0";
name="sd" parent="lpfc" target=0 lun=8 hba="lpfc0";
name="sd" parent="lpfc" target=0 lun=9 hba="lpfc0";
name="sd" parent="lpfc" target=1 lun=19 hba="lpfc1";
name="sd" parent="lpfc" target=1 lun=21 hba="lpfc1";
name="sd" parent="lpfc" target=1 lun=22 hba="lpfc1";
name="sd" parent="lpfc" target=1 lun=23 hba="lpfc1";
name="sd" parent="lpfc" target=1 lun=24 hba="lpfc1";
```

Configuring a Boot Device on the Storage Array

Solaris hosts have been qualified for booting from EMC storage array devices interfaced through Fibre Channel as described in the *EMC Support Matrix*. This chapter describes the process to configure a storage array device as a boot device.

- ◆ [Configuring a Symmetrix boot device](#) 56
- ◆ [Configuring a CLARiiON boot device](#) 65

Configuring a Symmetrix boot device

Boot support for Symmetrix is available to Emulex HBAs in Solaris hosts as described in the *EMC Support Matrix*.

Requirements

The designated Symmetrix boot device must meet the following requirements:

- ◆ The boot device must have enough disk space to hold the Solaris operating system.
- ◆ For better performance, the boot device should not share the spindle with any other devices. For example, assume devices 304, 203, 405, and 103 occupy physical device C1M1. If the device 203 is being used for booting, no hosts should use device 304, 405, or 103.
- ◆ The boot device must have the similar partition structures, and each partition must be at least as large as the source partition (the partition from where the image of the partition is being copied).
- ◆ The installation requires a host drive that will act as the source of the image for the Symmetrix boot drive.
- ◆ The installation requires administrator understanding of the data backup from the host internal boot drive to the Symmetrix device.

The procedure described in this section assumes that you have installed the Emulex HBA(s), driver(s), and Symmetrix device (over arbitrated loop) onto the Solaris host, and that the Solaris operating system sees the Fibre Channel drives.

If necessary, update the HBA firmware and Open Boot support to at least the minimum levels shown in the previous table.

Procedure

Follow these steps (described in detail later) to configure a boot device:

- ◆ Verify Symmetrix information
- ◆ Configure partitions
- ◆ Create a file system

- ◆ Install a Bootblk
- ◆ Copy required files
- ◆ Modify OpenBoot

Verifying Symmetrix information

Identify the controller instance and Symmetrix device number for the installation of Solaris. Refer to [“Adding Target IDs and LUNS” on page 39](#) for information on Loop ID assignment.

Configuring partitions

1. Use the **format** command to verify that the sizes of the partitions on the Symmetrix device chosen for the Solaris installation are large enough to copy the current Solaris 7 operating system partitions. Examine the partitions of the host source drive where the current operating system resides:
 - a. At the %> prompt, type **format** and press **ENTER**.
 - b. When prompted **choose disk 0**, press **ENTER**.
 - c. At the **format>** prompt, type **partition** and press **ENTER**.
 - d. At the **partition>** prompt, type **print** and press **ENTER**.

Sample output:

| Part | Tag | Flag | Cylinders | Size |
|------|------------|------|-----------|-----------|
| 0 | root | wm | 0-335 | 124.69 MB |
| 1 | swap | wm | 336-792 | 169.59 MB |
| 2 | backup | um | 0-5846 | 2.12GB |
| 3 | unassigned | wm | 0 | 0 |
| 4 | unassigned | wm | 0 | 0 |
| 5 | unassigned | wm | 0 | 0 |
| 6 | usr | wm | 739-2305 | 561.40 MB |
| 7 | home | wm | 2306-5846 | 1.28GB |

2. Select the Symmetrix device on which to install the Solaris operating system as follows:
 - a. At the **partition>** prompt, type **quit** and press **ENTER** to return to the **format** menu.
 - b. At the **format>** prompt, type **disk** and press **ENTER**.

- c. Type **1** and press **ENTER** when information similar to the following appears:

```
AVAILABLE SELECTIONS
...
1. c1t0d0 <EMC-SYMMETRIX-5265 cyl 4088 alt 2 hd
15
   sec 64> /sbus@1f,0/fce@1,400000/sd@0,0
...
specify disk (enter its number):
```

3. Repartition the Symmetrix device (if necessary) to model the partition information from the host source drive in order to match the drive configuration.
 - a. At the **format** prompt, type **partition** and press **ENTER**.
 - b. At the **partition** prompt, type **modify** and press **ENTER**.
 - c. After the partition in the Symmetrix device has been created, type **modify** and press **ENTER** at the **format** prompt.

Creating file systems

Create file systems on the required partitions in the designated Symmetrix boot device.

Below is an example in which the operating system is being copied to a Symmetrix Device of Target 3 LUN 0 on controller 1:

```
newfs /dev/rdsk/c1t3d0s0
newfs /dev/rdsk/c1t3d0s6
newfs /dev/rdsk/c1t3d0s7
```

To use a different Symmetrix Device, change **t3** to **t<Symmetrix Device target number>**. To use a different controller, change **c1** to **c<controller number>**. You must create both the root partition (slice 0) and the **/usr** partition (slice 6). You should also create other partitions (**/export/home**, **/var**, **/opt**) to mirror the current layout. Use the **newfs** command to create the file systems.

Installing a bootblk

Install a *bootblk* (the information required by the host to boot the OS) on the root partition of the Symmetrix boot device.

1. Use the **'uname -a'** command to determine the architecture of the workstation. This determines the directory in **/usr/platform** where the bootblk will be found. The example below gives `sun4u` as the architecture, and subdirectory for **/usr/platform**.

Example: At the `%>` prompt, type **uname -a** and press **ENTER** to display a line similar to the following:

```
SunOS patriot 5.7 Generic_106541-07 sun4u Sparc SUNW,Ultra -4
```

2. At the `%>` prompt, enter the following to install a bootblk onto the Symmetrix boot device:

```
/usr/sbin/installboot /usr/platform/sun4u/lib/fs/ufs/bootblk /dev/rdisk/  
c<controller number>t<Symmetrix device target number>d0s0
```

For example, entering the following installs a bootblk onto a boot device of Target 3 LUN 0 on controller 1:

```
/usr/sbin/installboot /usr/platform/sun4u/lib/fs/ufs/bootblk /dev/rdisk/  
c1t3d0s0
```

Copying required files

Use the **ufsdump** and **ufsrestore** commands to copy the required files and directories from the current host source drive to the Symmetrix boot device.

1. At the `%>` prompt, type **mount /dev/dsk/c1t3d0s0 /mnt** and press **ENTER**.

This mounts the root directory of the Symmetrix device to **/mnt**.

2. Use the **ufsdump** command to create the required directory structure on the new Symmetrix device and copy the files.

Below is an example where the current operating system is located on **/dev/dsk/c0t0d0**.

Example: At the `%>` prompt, type the following and press and press **ENTER**:

```
ufsdump 0f - /dev/dsk/c0t0d0s0 | ( cd /mnt; ufsrestore rf - )
```

When the above command completes, the Symmetrix device (**c1t3d0s0**) will have the complete image of the root partition.

3. In the `/mnt/etc` directory update the `vfstab` file to indicate the Symmetrix boot device address to be mounted during boot. Modify all partitions that will be located on the Symmetrix boot device.
 - a. At the `%>` prompt, type `cd /mnt/etc` and press **ENTER**.
 - b. At the `%>` prompt, type `vi vfstab` and press **ENTER**.

Example — Before modification:

```
#device      device      mount FS    fsck  mount  mount
#to mount to fsck        point type pass  at boot options
#
/dev/dsk/c0t0d0s1 -          -      swap -     no     -
/dev/dsk/c0t0d0s0 /dev/rdisk/c0t0d0s0 /      ufs  1     no     -
/dev/dsk/c0t0d0s6 /dev/rdisk/c0t0d0s6 /usr   ufs  1     no     -
swap - /tmp tmpfs - yes -
```

Example — After modification:

```
#device      device      mount FS    fsck  mount  mount
#to mount to fsck        point type pass  at boot options
#
/dev/dsk/c1t3d0s1 -          -      swap -     no     -
/dev/dsk/c1t3d0s0 /dev/rdisk/c1t2d0s0 /      ufs  1     no     -
/dev/dsk/c1t3d0s6 /dev/rdisk/c1t2d0s6 /usr   ufs  1     no     -
swap - /tmp tmpfs - yes -
```

Note: To increase system performance, you can leave the swap partition on the internal boot drive by leaving the fourth line (`/dev/dsk/c0t0d0s1 - - swap- no -`) unchanged.

4. At the `%>` prompt, type `umount /mnt` and press **ENTER** to unmount the root partition.
5. Repeat steps [Step 1](#), [Step 2](#), and [Step 4](#) for the `/usr` partition. In the current root directory:
 - a. At the `%>` prompt, type `mount /dev/dsk/c1t3d0s6 /mnt` and press **ENTER**.
 - b. At the `%>` prompt, type the following and press **ENTER**:


```
ufsdump 0f - /dev/dsk/c0t0d0s6 | ( cd /mnt; ufsrestore rf -)
```
 - c. At the `%>` prompt, type `umount /mnt` and press **ENTER**.
6. Repeat steps [Step 1](#), [Step 2](#), and [Step 4](#) for any other partitions to be mounted from the Symmetrix boot device.

Modifying OpenBoot

Follow this procedure to modify OpenBoot:

1. Halt the system and issue a reset to get to the OpenBoot environment:
 - a. At the %> prompt, type **halt** and press **ENTER**.
 - b. At the **OK>** prompt, type **setenv auto-boot? false** and press **ENTER**, so the system will display the **OK>** prompt after reset.
 - c. At the **OK>** prompt, type **reset-all** and press **ENTER**.
2. Specify the topology for the target Fibre Channel boot disk:
 - a. At the **OK>** prompt, type the following and press **ENTER**
`" <device path name>" select-dev`
 (Example: `" /pci@1f,4000/lpfc@4" select-dev`)
 - b. At the **OK>** prompt, type the appropriate command and press **ENTER**:
`FC-AL: set-fc-al`
`FC-SW: set-ptp`
 - c. At the **OK>** prompt, type **unselect-dev** and press **ENTER**.
3. At the **OK>** prompt, type **reset-all** and press **ENTER** to get to the OpenBoot environment.
4. At the **OK>** prompt, type **printenv boot-device** and press **ENTER** to verify the default boot device. The resulting display should be similar to the following example:


```
boot-device disk net
```
5. Set up the new alias for your local boot disk:
 - a. At the **OK>** prompt, type **devalias** and press **ENTER**.
 - b. Note the first appearance of the long path name associated with your local boot disk. For example:
`disk /pci@1f,4000/scsi@3/disk@0,0`
 - c. At the **OK>** prompt, type **nvalias localdisk <path name>** and press **ENTER**. This assigns the alias **localdisk** to the local boot disk.

6. Set up the boot ID for the Symmetrix device boot disk:
 - a. At the **OK>** prompt, type **reset** and press **ENTER** to reset the host.
 - b. After the system has reset, at the **OK>** prompt, type **probe-scsi-all** and press **ENTER** to find the AL-PA and WWPN of the Symmetrix boot device.

Example of output:

```
probe-scsi-all
/pci@1f,4000/lpfc@5
Target none ALPA e2 WWPN 5006.0482.bbff.4e1f
Unit 0 Disk EMC SYMMETRIX 5265
Unit 3 Disk EMC SYMMETRIX 5265
Unit 4 Disk EMC SYMMETRIX 5265

/pci@1f,4000/lpfc@4
Target none ALPA e4 WWPN 5006.0482.bbff.4e0f
Unit 0 Disk EMC SYMMETRIX 5265
Unit 1 Disk EMC SYMMETRIX 5265
Unit 2 Disk EMC SYMMETRIX 5265
```

- c. Set the boot device ID, using the below as an example.

Example — Assume the Symmetrix boot device has this configuration:

- Path: **/pci@1f,4000/lpfc@4**
- Alpa: **e4**
- WWPN: **5006.0482.bbff.4e0f**
- Target: **2**
- LUN: **0**

Follow these steps to set the boot device ID:

- i. At the **OK>** prompt, type **"/pci@1f,4000/lpfc@4" select-dev** and press **ENTER**.
- ii. At the **OK>** prompt, type the appropriate command and press **ENTER**:
 - FC-AL: did e4 0 2 set-boot-id**
 - FC-SW: wwpn 5006.0482.bbff.4e0f 0 2 set-boot-id**
- iii. At the **OK>** prompt, type **unselect-dev** and press **ENTER**.

Note: To remove a boot ID just assigned:

- i. At the **OK>** prompt, type "**/pci@1f,4000/lpfc@4**" **select-dev** and press **ENTER**.
 - ii. At the **OK>** prompt, type **remove-boot-id #** and press **ENTER**.
 - iii. At the **OK>** prompt, type **unselect-dev** and press **ENTER**.
-

7. Set up the alias and boot device for your new Symmetrix boot disk:
 - a. At the **OK>** prompt, type **nvalias symmdisk <pathname>** and press **ENTER**.
Example: nvalias symmdisk /pci@1f,4000/lpfc@4/sd@2,0
 - b. At the **OK>** prompt, type **nvstore** and press **ENTER** to save your alias.
 - c. At the **OK>** prompt, type **setenv boot-device symmetrix** and press **ENTER**.
8. Reboot the system with your new boot disk:
 - a. At the **OK>** prompt, type **setenv auto-boot? true** and press **ENTER**, so your system will not stop at the **OK>** prompt after reset.
 - b. At the **OK>** prompt, type **boot symmdisk** and press **ENTER** to boot the host with the Symmetrix boot device.

Troubleshooting

This section lists some possible problems and describes their solutions:

| | |
|----------|--|
| Problem | During boot process cannot mount or fsck . |
| Cause | /etc/vfstab file on the Symmetrix boot device did not updated correctly. |
| Solution | At the OK> prompt, type boot localdisk ENTER to boot the system using internal disk. Correct the file /etc/vfstab on the Symmetrix boot device. |

| | |
|----------|--|
| Problem | After entering <code>boot disk</code> , messages say that the loaded file is not executable. |
| Cause | There might not be a boot device on the target disk, or the copy from local to Symmetrix device was unsuccessful. |
| Solution | At the <code>OK></code> prompt, type <code>boot localdisk</code> <code>ENTER</code> to boot from the internal disk. Recreate the Symmetrix boot disk. |

| | |
|----------|--|
| Problem | System hangs for a long time after displaying driver information, or reboots just after displaying the driver information. |
| Cause | Possible incorrect topology in the <code>/kernel/drv/lpfc.conf</code> file on the Symmetrix boot device. |
| Solution | At the <code>OK></code> prompt, type <code>boot localdisk</code> <code>ENTER</code> to boot from the internal disk. Correct the <code>/kernel/drv/lpfc.conf</code> on the Symmetrix device. |

Useful monitor commands

Here are some system monitor commands that can be useful after selecting a boot ID:

| Command | Function |
|------------------------|---|
| <code>.boot-id</code> | Prints the current boot device ID |
| <code>.version</code> | Prints the current version of Open Boot |
| <code>.topology</code> | Prints the current topology |
| <code>.nvram</code> | Prints the current flags for Open Boot |

Configuring a CLARiiON boot device

The current version of Open Boot supports FC-AL, private loop, public loop, and fabric point-to-point from a single host. It also supports multi-initiators and multi-LUNs (0 through 255).

The following is a procedure for installing the Solaris operating system onto a storage system LUN (drive). When the installation procedure is complete, the host can boot and run from the LUN (drive).

Note: Be sure to back up any critical files on the local boot disk.

Prerequisites

Before starting this procedure make sure that:

- ◆ the host has a local boot disk (internal hard drive).
- ◆ the capacity of the intended (target) Fibre Channel disk is large enough to hold all the file systems and swap slice of the local current boot disk.
- ◆ you use persistent bindings (assigning a specific SCSI ID to a specific WWPN or DID) if the Fibre Channel adapter is connected to more than one logical disk drive.
- ◆ you correlate the intended boot disk displayed by the **probe-scsi-all** command to the devices displayed by the operating system.

Boot disk configuration

Use this procedure to make a bootable system disk from any size logical disk. This procedure also requires that you use a local boot disk to build the Fibre Channel boot disk.

1. At the **ok>** prompt, boot the server's internal disk to set up the new disk by entering the following command:

boot

2. If you do not see any Fibre Channel disks after booting the system, you may need to do one or both of the following
 - Enter the **touch /reconfigure** command and then reboot.
 - Edit the **/kernel/drv/lpfc.conf** file on the boot disk to change the topology from **4** to **2** or from **2** to **4**.
3. When Solaris has successfully rebooted, use the **format** command to do the following:

Note: The following example assumes that you have selected a logical drive designated as **c1t0d0** (controller 1, target 0, lun 0).

- Select the logical drive to become boot disk (for example, **c1t0d0**).
 - Select the partition option and partition disk as desired.
 - Select the label option and write volume label to target disk.
4. To install the boot block on the target disk, enter the following command:

```
installboot /usr/platform'uname-i'/lib/fs/ufs/bootblk /dev/rdisk/c1t0d0s0
```

5. To create a file system for each partition that will contain a mounted file system, enter the following commands:

```
newfs -v /dev/rdisk/c1t0d0s0 (will become root)
newfs -v /dev/rdisk/c1t0d0s6 (will become usr)
newfs -v /dev/rdisk/c1t0d0s7 (will become export/home)
```

6. To create temporary mount points for the new partitions so they can be mounted for copying, enter the following commands:

```
mkdir /root2
mkdir /usr2
mkdir /export2
```

7. Mount the new partitions to the appropriate directories.
8. Copy the applicable file systems. An example command sequence for the root file system is:

```
cd /root2
ufsdump 0f - /dev/dsk/c0t0d0s0 | ufsrestore rf -
```

9. Edit **/root2/etc/vfstab** to point to the new boot disk as the physical location of mount points for **root**, **swap**, **usr**, and so on.

Change the current entries as follows:

- **/dev/dsk/c0t0d0s0** and **/dev/rdisk/c0t0d0s0** to show **c1t0d0s0** (root)
 - **/dev/dsk/c0t0d0s6** and **/dev/rdisk/c0t0d0s6** to show **c1t0d0s6** (usr)
 - **/dev/dsk/c0t0d0s7** and **/dev/rdisk/c0t0s0s7** to show **c1t0d0s7** (export)
 - Change entry for swap to show **c1t0d0s3**
10. If multiple targets exist on a Fibre Channel adapter, you must edit **/root2/kernel/drv/lpfc.conf** to set up a persistent binding that will ensure that the desired logical disk is always assigned the correct target ID. Refer to the instructions in the **lpfc.conf** file to set persistent binding.

The disk is now ready to use as a boot disk.

11. Shut down the system.
12. At the **ok>** prompt enter the following command:

```
reset-all
```

Boot setup

1. To display the open boot driver version, enter the following command sequence at the **ok>** prompt:


```
select /lpfc  
.version  
unselect-dev
```
2. Change the alias for the current local boot disk from **disk** to another name (for example, **localdisk**) as follows:
 - a. Enter the following command:


```
Devalias
```
 - b. Record the long pathname after the first mention of **disk**, and use that pathname in the following command:


```
nvalias localdisk <path name>
```

This assigns the alias **localdisk** to the local boot disk.

- Determine the device WWPN, DID or AL-PA by entering the following command:

probe-scsi-all

- Record the actual WWPN, DID or AL-PA and the corresponding boot entry.
- Select the appropriate topology (point-to-point or FC-AL) for the intended (target) Fibre Channel boot disk:

```
select /xxxx
where xxxx is the full pathname to the boot device you
recorded from the probe-scsi-all command.
```

For example:

```
/pci@2,2000/lpfc@2
set-fc-a1 (for arbitrated loop) or set-ptp (for fabric)
unselect-dev
reset-all
```

- Set the boot device ID.

- To use WWPN, enter the following commands:

select /xxxx

where **xxxx** is the full pathname to the boot device you recorded from the **probe -scsi -all** command. For example:
/pci@2,2000/lpfc@2

wwpn <wwpn> <lun> <target id> set-boot-id

where:

<wwpn> must be in hex
<lun> is in hex; to change to decimal type **d\$ <lun>**
<target id> is in hex; to change to decimal,
 type **d\$ <target id>**

For example, a valid boot device ID using the WWPN is:

```
22000020.37997f70 d# 140 d# 10 set-boot-id
unselect-dev
reset-all
```

- To use DID (public loop), enter the following commands:

select /xxxx

where **xxxx** is the full pathname to the boot device you recorded from the **probe -scsi -all** command. For example:
_/pci@2,2000/lpfc@2

did <did> <lun> <target id> set-boot-id

where:

<did> must be in hex

<lun> is in hex; to change to decimal, type **d\$ <lun>**

<target id> is in hex; to change to decimal,

type **ad\$<<target id>**

For example, a valid boot device ID using the DID is:

2009e1 d# 100 d# 10 set-boot-id

unselect-dev

reset-all

- To use AL-PA (private loop), enter the following commands:

select /xxxx

where **xxxx** is the full pathname to the boot device you recorded from the **probe -scsi -all** command. For example:

/pci@2,2000/lpfc@2

did <alpa> <lun> <target id> set-boot-id

where:

<alpa> must be in hex

<lun> is in hex; to change to decimal, type **d\$ <lun>**

<target id> is in hex; to change to decimal,

type **d# <target id>**

For example, a valid boot device ID using ALPA is:

_e1 d# 100 d# 10 set-boot-id

unselect-dev

reset-all

7. To remove the boot ID you just assigned, enter the following commands:

select /xxxx

where **xxxx** is the full pathname to the boot device you recorded from the **probe -scsi -all** command. For example:

__/pci@2,2000/lpfc@2

remove-boot-id (to clear boot ID settings)

unselect-dev

reset-all

Troubleshooting suggestions

The following table lists symptoms and possible causes for problems you may experience when using a storage-system LUN as a boot device.

| Symptom | Possible cause |
|---|--|
| During system initialization, the boot sequence cannot mount or filecheck /usr/vfstab on the boot disk, or the boot disk is not updated correctly. | Persistent binding is not implemented or not implemented correctly. |
| After entering boot disk, a message displays stating that the file that was loaded is not executable. | No boot on target disk because copy from local disk to target disk was unsuccessful. |
| System hangs for a long time after displaying driver information, or System reboots right after displaying driver information. | The topology may be incorrect. Check the topology value in the /kernel/drv/lpfc.conf file for the target disk. |

Helpful ok prompt commands

| | |
|---------------------------|---|
| <code>select /lpfc</code> | Selects the lpfc device. |
| <code>.boot-id</code> | Prints current boot device ID. |
| <code>.version</code> | Print current version of open boot. |
| <code>.topology</code> | Prints current topology. |
| <code>.nvram</code> | Prints out current flags for open boot. |
| <code>unselect-dev</code> | Deselects the lpfc device. |

Booting from CLARiiON over PowerPath

You can use either a native-named device or *emcpower* device as a boot device. If using an *emcpower* device, the host adapter on the *emcpower* device must support booting in its FCode.

Using a PowerPath device as the boot device provides load balancing and path failover for the boot device. Native-named devices, however, do not provide boot time boot path failover.

Note: This procedure assumes PowerPath is already installed.

Boot from native Solaris device

Follow these steps to use a native device:

1. Select the LUN that will be used for booting by running the **format** command.
2. On the target LUN selected in step 1, create `/`, `/usr`, `/var`, `/export/home`, `/var`, `/opt`, `swap`, and any other required partitions that match the current boot disk's partitions. You must make all of the partitions greater than that of the current boot disk's partitions.
3. Label the disk to save the updated partitions by issuing the **label** command while still in the **format** utility.
4. Create a new file system for each partition, excluding `swap` and `backup`.

Root partition example: `newfs /dev/rdisk/c2t0d0s0`

5. Create a directory and mount each partition as in the following example:

```
mkdir /bootarray
mount /dev/dsk/c2t0d0s0 /bootarray
mkdir /bootarray/usr
mount /dev/dsk/c2t0d0s6 /bootarray/usr
```

6. Change to the root directory of the LUN you have set up and dump the O/S: For example:

```
cd /bootarray
ufsdump 0f - /dev/dsk/c0t0d0s0 | ufsrestore rf -
```

Repeat this for each partition you created.

- Record the complete path of the boot LUN by running the **format** command and taking note of the path listed directly below the device. For example:

```
/ssm@0,0/pci@1c,600000/lpfc@1/sd@0,0
```

- Once the dump is done, edit `/bootarray/etc/vfstab` to change the original partitions to reflect the partitions on the new boot disk. For example:

```
vi /bootarray/etc/vfstab
```

Change the lines shown in bold below as follows:

Before:

```
#device    device    mount    FS        fsck    mount    mount
#to mount  to fsck   point    type      pass    at boot  options
#
#/dev/dsk/c1d0s2 /dev/rdisk/c1d0s2 /usr    ufs       1        yes      -
fd        - /dev/fd fd        - no      -
/proc    - /proc proc    - no      -
/dev/dsk/c0t0d0s1 - - swap    - no      -
/dev/dsk/c0t0d0s0 /dev/rdisk/c0t0d0s0 /        ufs       1        no      -
/dev/dsk/c0t0d0s6 /dev/rdisk/c0t0d0s6 /usr    ufs       1        no      -
swap     - /tmp tmpfs   - yes     -
```

After:

```
#device    device    mount    FS        fsck    mount    mount
#to mount  to fsck   point    type      pass    at boot  options
#
#/dev/dsk/c1d0s2 /dev/rdisk/c1d0s2 /usr    ufs       1        yes      -
fd        - /dev/fd fd        - no      -
/proc    - /proc proc    - no      -
/dev/dsk/c2t0d0s1 - - swap    - no      -
/dev/dsk/c2t0d0s0 /dev/rdisk/c2t0d0s0 /        ufs       1        no      -
/dev/dsk/c2t0d0s6 /dev/rdisk/c2t0d0s6 /usr    ufs       1        no      -
swap     - /tmp tmpfs   - yes     -
```

- Add the following lines to `/bootarray/etc/system`:

```
rootfs:ufs
rootdev:/ssm@0,0/pci@1c,600000/lpfc@1/sd@0,0:a
```

- Edit `/bootarray/etc/dumpadm.conf` and change the original swap device to the new swap device.

Note: You do not have to edit `dumpadm.conf` for Solaris 2.6 or earlier.

11. Install the boot block on the new boot device by running the following:

```
installboot /usr/platform/`uname -i`/lib/fs/ufs/bootblk /dev/rdisk/c2t0d0s0
```

12. Bring the host down to the OBP by issuing the **halt** command.
13. While in OBP, issue the **reset-all** command.
14. Issue the **show-devs** command, and select the correct path to the device to be used as the new boot device. For example:

```
" /ssm@0,0/pci@1c,600000/lpfc@1" select-dev
```

15. To set the correct topology, type the following and press **ENTER**:

- Fabric: **set-ntp**
- Loop: **set-fc-al**

16. To display all Fibre Channel devices along with WWPN of the target SP from which you are booting, issue the **show-children** command.

17. Set the boot ID of the new boot device:

- a. Make note of the actual WWPN, DID, or ALPA returned from the **show-children** command, and copy down the corresponding boot entry.

- b. Set the boot ID:

- For point-to-point (WWPN):
`wwpn <WWPN> <LUN> <target ID> set-boot-id`
- For public loop (DID):
`did <DID> <LUN> <target ID> set-boot-id`
- For private loop (ALPA):
`did <ALPA> <LUN> <target ID> set-boot-id`

18. Create an alias for the new boot device:

```
nvalias emcboot /ssm@0,0/pci@1c,600000/lpfc@1/sd@0,0:a  
nvstore
```

19. You are now ready to boot:

```
unselect-dev  
reset-all  
boot emcboot
```

Boot from emcpower device

Follow these steps to use an emcpower device:

1. Select the LUN that will be used for booting by running the **powermt display** command. For example:

powermt display dev=0

Output from example:

```
Pseudo name=emcpower0a
CLARiiON ID=WRE00021500561
Logical device ID=6006016AF9080000D6577E33A769D611
state=alive; policy=CLAROpt; priority=0; queued-I/Os=0
=====
----- Host -----      - Stor -      -- I/O Path -      -- Stats ---
### HW Path                I/O Paths    Interf.    Mode    State  Q-I/Os  Errors
=====
 0 ssm@0,0/pci@1c,700000/lpfc@2  c1t0d8s0    SP A0    active  alive   0   0
 0 ssm@0,0/pci@1c,700000/lpfc@2  c1t1d8s0    SP B0    active  alive   0   0
 0 ssm@0,0/pci@1c,700000/lpfc@2  c1t2d8s0    SP A1    active  alive   0   0
 0 ssm@0,0/pci@1c,700000/lpfc@2  c1t3d8s0    SP B1    active  alive   0   0
 1 ssm@0,0/pci@1c,600000/lpfc@1  c2t0d8s0    SP A0    active  alive   0   0
 1 ssm@0,0/pci@1c,600000/lpfc@1  c2t1d8s0    SP B0    active  alive   0   0
 1 ssm@0,0/pci@1c,600000/lpfc@1  c2t2d8s0    SP A1    active  alive   0   0
 1 ssm@0,0/pci@1c,600000/lpfc@1  c2t3d8s0    SP B1    active  alive   0   0
 2 ssm@0,0/pci@1d,700000/lpfc@1  c3t0d8s0    SP A0    active  alive   0   0
 2 ssm@0,0/pci@1d,700000/lpfc@1  c3t1d8s0    SP B0    active  alive   0   0
 2 ssm@0,0/pci@1d,700000/lpfc@1  c3t2d8s0    SP A1    active  alive   0   0
 2 ssm@0,0/pci@1d,700000/lpfc@1  c3t3d8s0    SP B1    active  alive   0   0
 3 ssm@0,0/pci@1d,600000/lpfc@1  c4t0d8s0    SP A0    active  alive   0   0
 3 ssm@0,0/pci@1d,600000/lpfc@1  c4t1d8s0    SP B0    active  alive   0   0
 3 ssm@0,0/pci@1d,600000/lpfc@1  c4t2d8s0    SP A1    active  alive   0   0
 3 ssm@0,0/pci@1d,600000/lpfc@1  c4t3d8s0    SP B1    active  alive   0   0
```

Now run the **format** command.

2. On the target LUN selected in step 1, create `/`, `/usr`, `/var`, `/export/home`, `/var`, `/opt`, `swap`, and any other required partitions that match the current boot disk's partitions. You must make all of the partitions greater than that of the current boot disk's partitions.
3. Label the disk to save the updated partitions by issuing the **label** command while still in the **format** utility.
4. Create a new file system for each partition, excluding `swap` and `backup`.

Root partition example:

```
newfs /dev/rdsk/emcpower0a
```

5. Create a directory and mount each partition as in the following example:

```
mkdir /bootarray
mount /dev/dsk/emcpower0a /bootarray
mkdir /bootarray/usr
mount /dev/dsk/emcpower0g /bootarray/usr
```

6. Change to the root directory of the LUN you have set up and dump the O/S. For example:

```
cd /bootarray
ufsdump 0f - /dev/dsk/c0t0d0s0 | ufsrestore rf -
```

Repeat this for each partition you created.

7. Record the complete path of the boot LUN by running the following command:

```
ls -l /dev/dsk/emcpower0a
```

Output from command:

```
lrwxrwxrwx 1 root other 33 Jun 4 09:06 /dev/dsk/emcpower0a ->
../../devices/pseudo/emcp@0:a,blk
```

Record the `/pseudo/emcp@0:a,blk`.

8. Once the dump is done, edit `/bootarray/etc/vfstab` to change the original partitions to reflect the partitions on the new boot disk.

Example: `vi /bootarray/etc/vfstab`

Change the lines shown in bold below as follows:

Before:

| #device | device | mount | FS | fsck | mount | mount |
|--------------------------|---------------------------|-------------|-------------|-----------|-----------|---------|
| #to mount | to fsck | point | type | pass | at boot | options |
| # | | | | | | |
| #/dev/dsk/c1d0s2 | /dev/rdsk/c1d0s2 | /usr | ufs | 1 | yes | - |
| fd | - /dev/fd | fd | no | - | | |
| /proc | - /proc | proc | no | - | | |
| /dev/dsk/c0t0d0s1 | - | - | swap | no | - | |
| /dev/dsk/c0t0d0s0 | /dev/rdsk/c0t0d0s0 | / | ufs | 1 | no | - |
| /dev/dsk/c0t0d0s6 | /dev/rdsk/c0t0d0s6 | /usr | ufs | 1 | no | - |
| swap | - /tmp | tmpfs | yes | - | | |

After:

```
#device device mount FS fsck mount mount
#to mount to fsck point type pass at boot options
#
#/dev/dsk/c1d0s2 /dev/rdisk/c1d0s2 /usr ufs 1 yes -
fd - /dev/fd fd - no -
/proc - /proc proc - no -
/dev/dsk/emcpower0b - - swap - no -
/dev/dsk/emcpower0a /dev/rdisk/emcpower0a / ufs 1 no -
/dev/dsk/emcpower0g /dev/rdisk/emcpower0g /usr ufs 1 no -
swap - /tmp tmpfs - yes -
```

9. Add the following lines to the end of `/bootarray/etc/system`:

```
forceload: drv/sd
forceload: drv/emcp
rootfs:ufs
rootdev:/pseudo/emcp@0:a,blk
```

10. Edit `/bootarray/etc/dumpadm.conf` and change the original swap device to the new swap device.

Note: You do not have to edit `dumpadm.conf` for Solaris 2.6 or earlier.

11. Install the boot block on the new boot device by running the following:

```
installboot /usr/platform/`uname -i`/lib/fs/ufs/bootblk /dev/rdisk/emcpower0a
```

12. To find the boot device information to reconfigure the boot disk EEPROM setting, issue the **powermt display** command as you did in step 1, and issue **ls -l** on any one of the devices that appears in the output of **powermt display**. For example:

```
ls -l c1t0d0s0
```

Output from command:

```
lrwxrwxrwx 1 root other 33 Jun 4 09:06 /dev/dsk/c1t0d0s0 ->../
/devices/ssm@0,0/pci@1c,700000/lpfc@2/sd@0,8:a
```

Record the `ssm@0,0/pci@1c,700000/lpfc@2/sd@0,8:a`.

13. Bring the host down to the OBP by issuing the **halt** command.
14. While in OBP, issue the **reset-all** command.
15. Issue the **show-devs** command, and select the correct path to the device to be used as the new boot device (recorded in step [Step 11](#)).

For example:

```
" /ssm@0,0/pci@1c,700000/lpfc@2" select-dev
```

16. To set the correct topology, type the following and press **ENTER**:

- ◆ Fabric: **set-ptp**
- ◆ Loop: **set-fc-al**

17. To display all Fibre Channel devices along with WWPN of the target SP from which you are booting, issue the **show-children** command.

18. Set the boot ID of the new boot device:

a. Make note of the actual WWPN, DID, or ALPA returned from the **show-children** command, and copy down the corresponding boot entry.

b. Set the boot ID:

- For point-to-point (WWPN):

```
wwpn <WWPN> <LUN> <target ID> set-boot-id
```
- For public loop (DID):

```
did <DID> <LUN> <target ID> set-boot-id
```
- For private loop (ALPA):

```
did <ALPA> <LUN> <target ID> set-boot-id
```

19. Create an alias for the new boot device:

```
nvalias emcpower0a /ssm@0,0/pci@1c,600000/lpfc@1/sd@0,0:a
nvstore
```

20. You are now ready to boot:

```
unselect-dev
reset-all
boot emcpower0a
```


Symbols

/etc/system, editing 41

B

boot device, CLARiiON, configuring 65

boot device, Symmetrix, configuring 56

C

case study, Symmetrix/fabric 53

D

driver instance number, determining
(CLARiiON) 38

driver, HBA

installing 15

obtaining 15

optimizing in CLARiiON environment 50

upgrading

PCI 23

SBus 19

E

EMC Fibre Channel, incorporating 27

Emulex/Solaris environment 10

etc/system, editing 41

F

fabric environment, preparing for 27

failover software, CLARiiON, removing 15

FCode, HBA, updating 45

firmware, HBA, updating 44

H

HBA driver. *See* driver, HBA

HBA, replacing (CLARiiON) 49

I

instance number, driver, determining
(CLARiiON) 38

L

labeling devices 43

lpfc.conf, editing 29

P

partitioning devices 43

persistent binding 27

S

Solaris/Emulex environment 10

U

upgrading the driver

PCI 23

SBus 19

Z

zone, single-HBA, creating (CLARiiON) 47

zoning 11

