

Workstations



Sun Blade 150
650 MHz USII CPU



Sun Blade 1500
1 GHz USIIIi CPU



Sun Blade 2500
2x 1.28 GHz USIIIi CPU



Sun Ray 1g



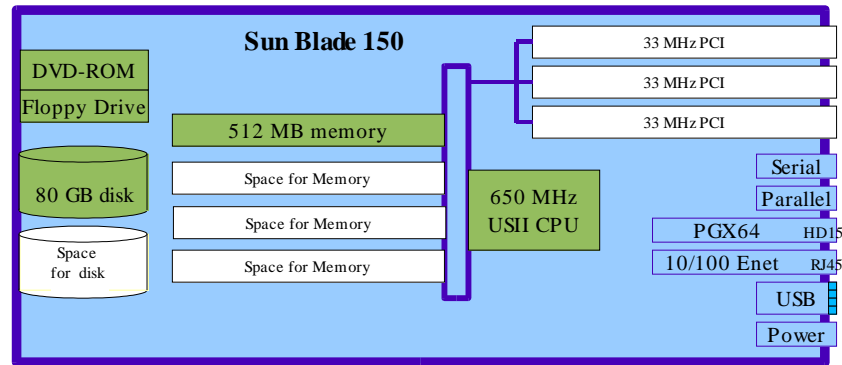
Sun Ray 100



Sun Ray 150



Sun Blade 150 Workstation Detail



Sun Blade 150

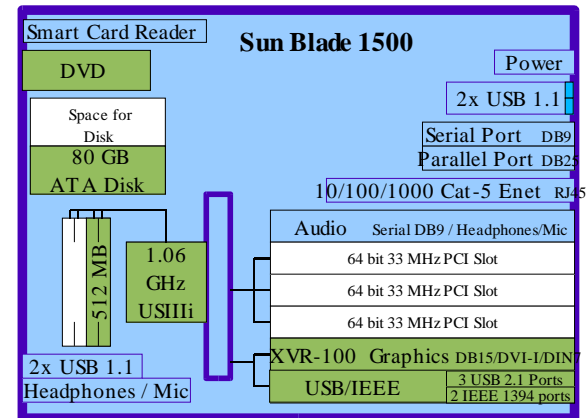
1 CPU -550 or 650 MHz
512 MB memory (2 GB max)
80 GB internal disk (2 max)
DVD-ROM (CD-RW Optional)
Floppy Drive
3 PCI Slots - 33 MHz

Sun Blade 1500 Workstation Detail



Sun Blade 1500

- 1 GHz CPU
- 512 MB memory (4 GB max)
- 80 GB ATA-100 internal disk (2 max)
- DVD ROM Drive
- Smart Card Reader
- 4 USB 1.1, 3 USB 2.0 and 2 IEEE 1394 ports
- Sun XVR-100 Graphics Accelerator
- Optional Sun XVR-500
- 2 serial, 1 parallel ports
- Gigabit Ethernet on-board
- 5 PCI Slots
 - 1 x 64-bit 66 MHz
 - 2 x 64-bit 33 MHz
 - 2 x 32-bit 33 MHz



1.06 GHz CPU, 512 MB memory, 80 GB disk, XVR 100

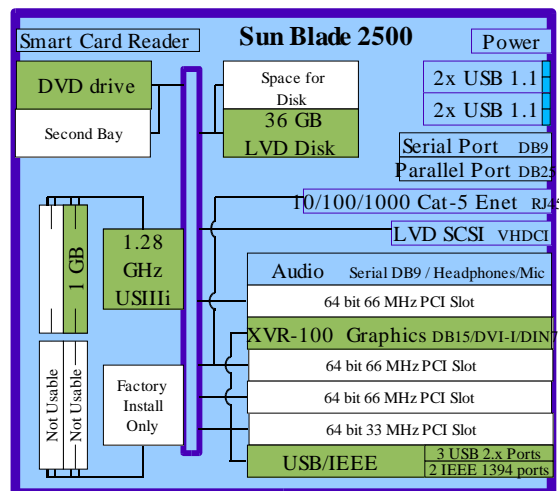
Sun Blade 2500 Workstation Detail



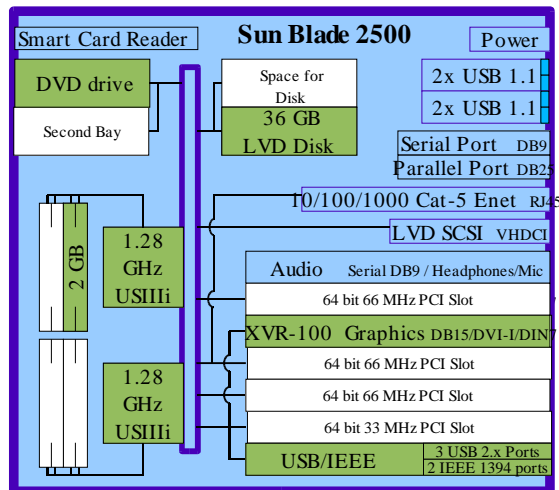
Sun Blade 2500 Workstation

Capacity:

- 2 CPU's - 1.28 GHz each
- 8 GB memory (4 GB per CPU)
- 2 internal 36 GB Ultra160 SCSI disks
- 6 PCI Cards - 3x 66/33 MHz, 3x 33 MHz
- 1 10/100/1000Base -T Ethernet Port
- DVD Drive
- Smart Card Reader



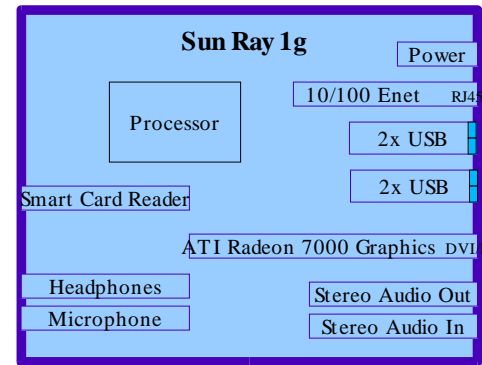
1 CPU, 1 GB memory, 36 GB disk, XVR 100



2 CPU's, 2 GB memory, 36 GB disk, XVR 500



Sun Ray Detail



Sun Ray 1g with 24" LCD Monitor

Smart Card Reader conforming to ISO-7816-1

ATI Radeon 7000 Graphics, 24-bit graphics,

Up to 1920x1200 @ 75 Hz, DVI/I Connector

Supports Sun's 24" LCD Flat Panel monitor and
via included HD15 adapter :

Sun's 17-in. and 21-in Monitors

Sun's 19-in. LCD flat panel

Standard VGA compatible monitors

10BASE-T/100BASE-T Ethernet (RJ-45)

Four standard Universal Serial Bus (USB) Type A ports, powered

Four 16-bit stereo audio ports using standard 0.125-inch (3.5-mm) jacks

Front - headphone(out) and microphone(in)

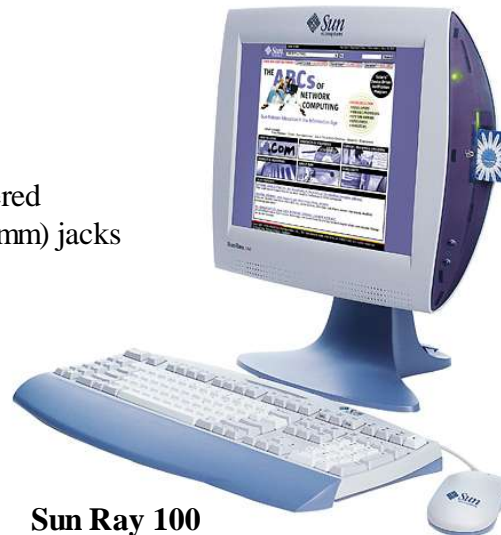
Rear - line-in and line-out

Supports Type 6 USB keyboard and Type 6 USB mouse

Ships with

Stand

DVI/I to HD15 Adapter



Sun Ray 100

Integrated 17" CRT



Sun Ray 150

Integrated 15" LCD



Sun Monitors



17 inch Color CRT
1280 x 1024 Max Resolution
Attached HD15 video Cable



19 inch LCD
1280 x 1024 Max Resolution
DVI-I Video Connector
HD15 Connector



22 inch FD Trinitron CRT
1600 x 1200 Max Resolution
Attached 13W3 Video Cable
Separate HD15 Connector



24.1 inch AM TFT LCD
1920 x 1200 Max Resolution
Ships with:
13W3/13W3 Video Cable
DVI-D/DVI-D Video Cable
S-Video Cable
C-Video Cable
USB Cable

