



Product Presentation

Your Name Here

Your Job Function Here

March 25, 2004



Volume Servers



B1600 Blades

Chassis with 16 Blade Servers
Administration Tools



V210 Server

2 USIIIi CPU's - 1 GHz
8 GB memory
2 internal 36 GB disks



V100 Server

1 USII CPU - 650 MHz
4 GB Memory
2 internal disks 40 GB IDE disks



V240 Server

2 USIIIi CPU's - 1.28 GHz
8 GB memory
4 internal 36 GB disks



V120 Server

1 USII CPU - 650 MHz
4 GB Memory
2 internal disks 36 GB SCSI disks



V440 Server

4 USIIIi CPU's - 1.28 GHz
16 GB memory
4 internal 36 GB Disks

Volume Servers



280R Server
2 USIII CPU's - 1.2 GHz
8 GB memory
2 internal 36 GB Disks



V480 Server
4 USIII CPU's - 1.2 GHz
32 GB memory
2 internal 73 GB Disks



V250 Server
2 USIIIi CPU's - 1.28 GHz
8 GB memory
8 internal 73 GB Disks



V880 Server
8 USIII CPU's - 1.2 GHz
64 GB memory
12 internal 146 GB disks

Volume Servers

Linux or Solaris x86



V20z Server

2 AMD Opteron CPU's - 1.6, 1.8 or 2.2 GHz
16 GB memory
2 internal 73 GB disks
Solaris x86 or Linux



V60x Server

2 Intel CPU's - 2.8 or 3.2 GHz
6 GB memory
3 internal 73 GB disks
Solaris x86 or Linux



V65x Server

2 Intel CPU's - 3.2 GHz
12 GB memory
6 internal 73 GB disks
Solaris x86 or Linux

Workstations



Sun Blade 150
650 MHz USII CPU



Sun Blade 1500
1 GHz USIIIi CPU



Sun Blade 2500
2x 1.28 GHz USIIIi CPU



Sun Ray 1g



Sun Ray 100



Sun Ray 150

Enterprise Servers



E2900 Server
12 USIV CPU's
96 GB memory



E4900 Server
12 USIV CPU's
96 GB memory
2 Domains



E6900 Server
24 USIV CPU's
192 GB memory
4 Domains



E20K Server
36 USIV CPU's
288 GB memory
9 domains



E25K Server
72 USIV CPU's
576 GB memory
18 domains

Disk Storage



S1
3 146 GB LVD Disks



3310
4 146 GB U320 Disks



3310
12 146 GB LVD Disks



3510
12 146 GB FC Disks
2 GB Cache



6120 Array
28 146 GB FC Disks
4 TB
2 GB Cache



6320
11 6120 Arrays
Dual 16 port 2 GB Switches
1 Service Processor
45 TB
22 GB Cache



D240
DVD
2 73 GB Disks
DDS-4 Tape



9970
128 Disks, 18 TB
48 Host interfaces
32 GB cache



9980
1024 Disks, 147 TB
64 Host interfaces
64 GB cache

Tape Storage



L8 Tape Library
1 Drive: SDLT320, LTO
or LTO2
8 Cartridges



L25 Tape Library
Drives: 2 SDLT320 or 2 LTO
Cartridges: 21 SDLT320 or 25 LTO

Tape Drive Comparison

Type	Throughput		Capacity
	MB/sec	GB/hr	GB/tape
SDLT320	16	57	160
LTO	15	54	100
LTO2	30	108	200
9840C	30	108	40
9940B	30	108	200

All capacities are native uncompressed capacities.



L100 Tape Library
Drives: 6 SDLT320 or 6 LTO
Cartridges: 100 SDLT320
or 84 LTO



L180 Tape Library
Drives: 10 SDLT320, 10 LTO2
or 6 9840
174 Cartridges



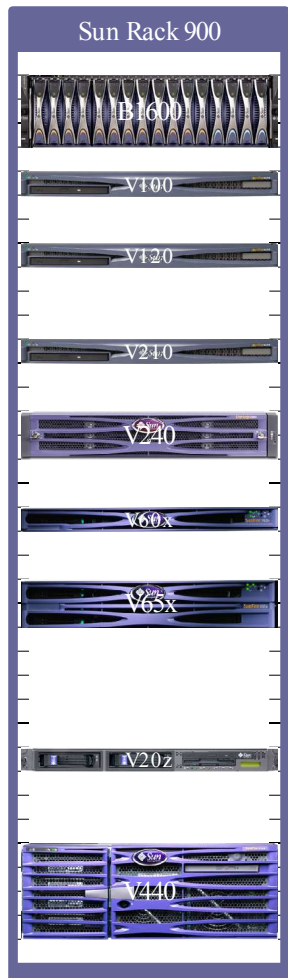
L700 Tape Library
20 SDLT320, 20 LTO2, 12 9840,
or 12 9940 Drives
678 Cartridges



L6000 Tape Library
80 9840, or 80 9940B Drives
6000 Cartridges
Can Link 26 L6000's together


Volume Server Details

Sun Rack 900



- B1600 Blades**
16 Blade Servers
- V100 Server**
1 CPU, 1 Disk
- V120 Server**
1 CPU, 1 Disk
- V210 Server**
2 CPU's, 2 Disks
- V240 Server**
2 CPU's, 4 Disks
- V60x Server**
2 CPU's, 2 Disks
- V65x Server**
2 CPU's, 6 Disks
- V20z Server**
2 CPU's, 2 Disks
- V440 Server**
4 CPU's, 4 Disks

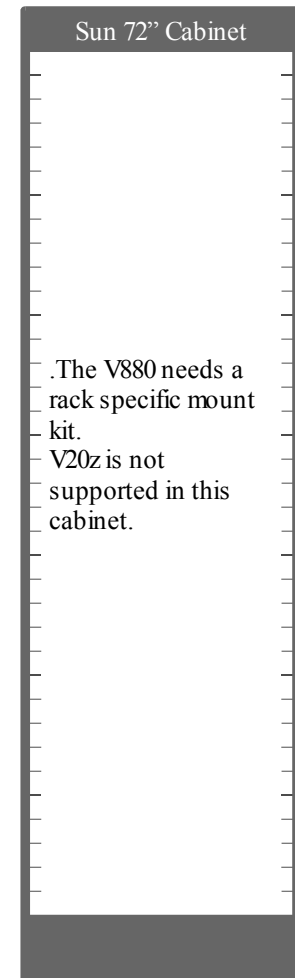
Sun Rack 900



- V280 Server**
2 CPU's, 2 Disks
- V480 Server**
4 CPU's, 2 Disks
- V880 Server**
8 CPU's, 12 Disks

V880 Rack Mount Kit

Sun 72" Cabinet



The V880 needs a rack specific mount kit.
V20z is not supported in this cabinet.

Sun Fire Blades

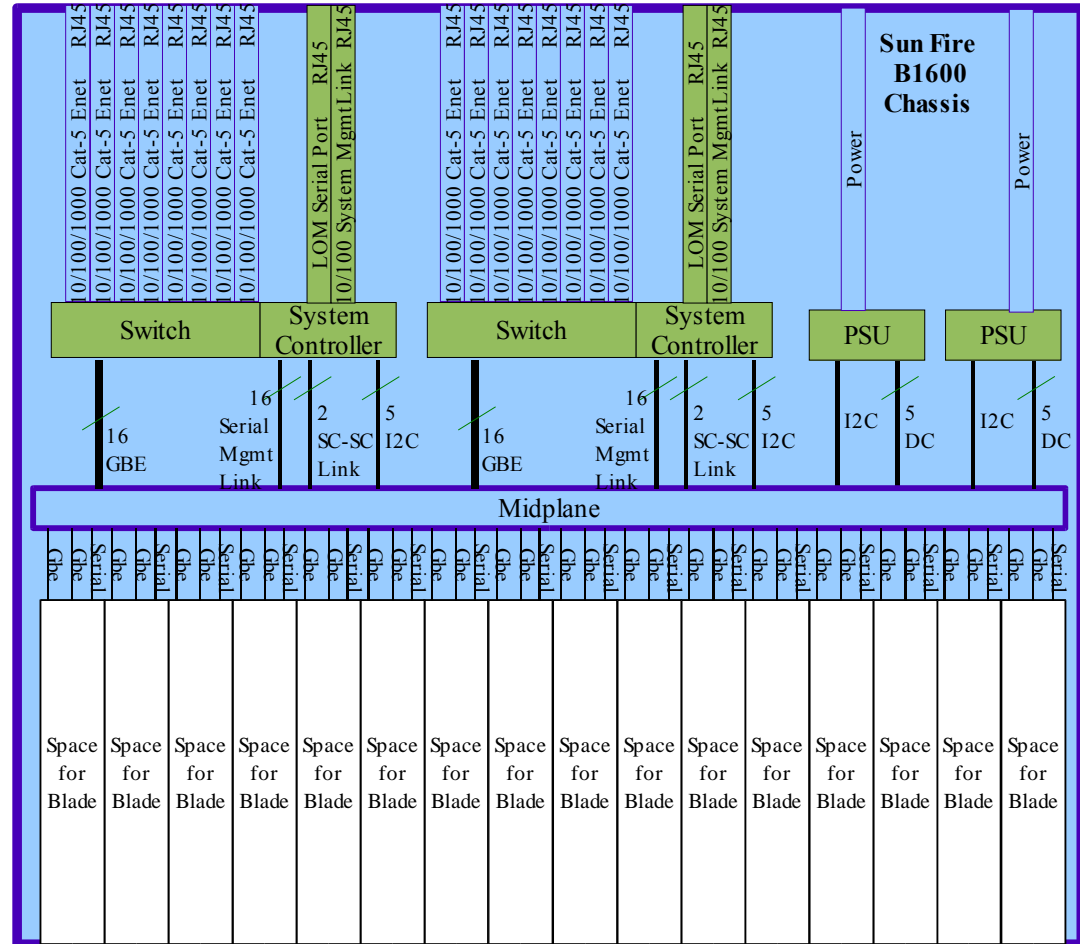
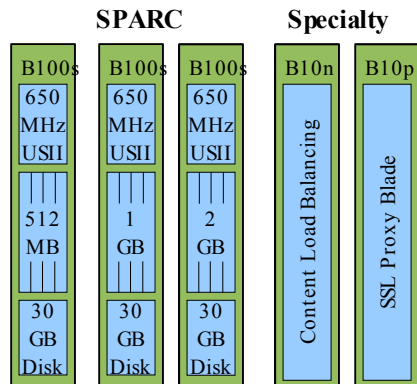
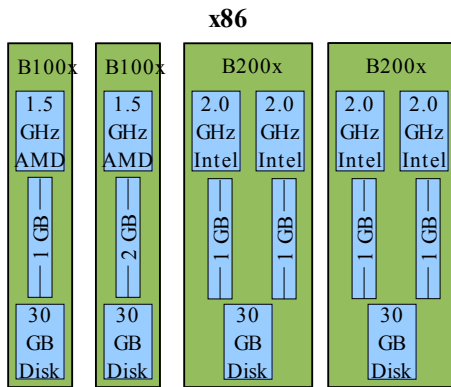


Sun Fire B1600

Integrated Switches & System Controller
Redundant Power, 3 RU Chassis

Ships with:

Rack Mount Kit for Sun Rack 900
& Sun 72" Cabinet

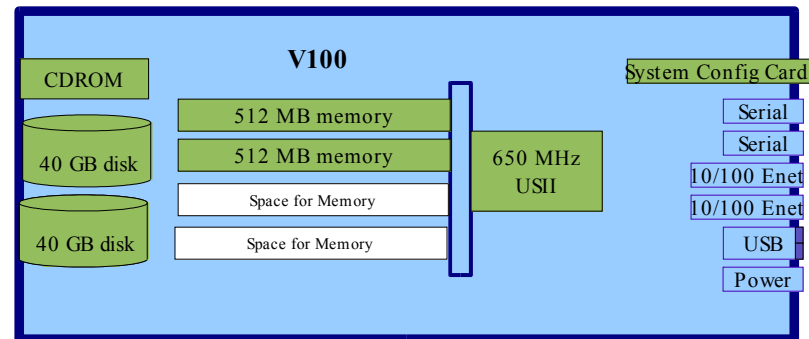


V100 Server



V100

- 1 USII CPU - 650 MHz
- 1 GB memory (4 GB Max)
- 2 internal disks (IDE) - 40 GB each
- CD-ROM
- 1 Rack Unit High (1.75 in.)
- Included Rack Mount Kit fits:
Sun 900 Rack, Sun 72" Cab, Sun Fire Cab

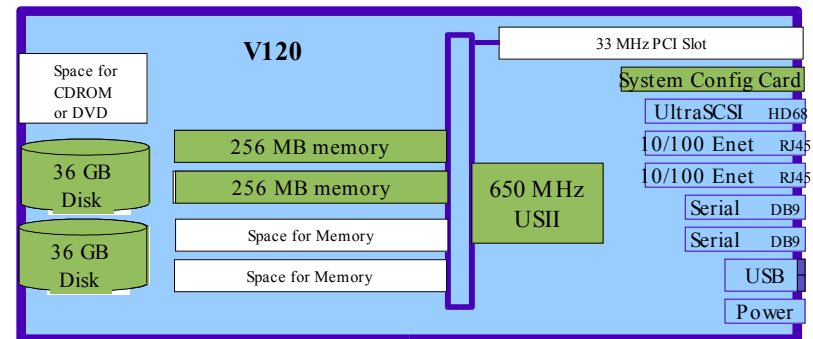


V120 Server



V120

- 1 USII CPU - 650 MHz
- 1 GB memory (4 GB max)
- 36 GB internal SCSI disk (2 max)
- Slot for CD-ROM or DVD
- 33 MHz PCI slot
- 1 Rack Unit High (1.75 in.)
- Included Rack Mount Kit fits Sun 900 Rack, Sun 72" Cab, Sun Fire Cab



V210 Server



V210 Server

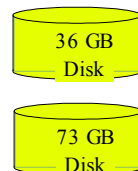
Capacity:

- 2 USIIIi CPU's - 1.06 GHz each
- 8 GB memory
- 2 internal 36 or 73 GB LVD disks
- 1 PCI Cards - 66 MHz
- 4 10/100/1000Base -T Ethernet Ports
- DVD Drive Option
- Sun Crypto Accelerator Card Option
- Advanced Lights Out Management (ALOM) Card
- System Configuration Card
- Single Power Supply.
- Single Power Cord
- 1 Rack Unit high

Ships with:

- Rack Mounting with cable management
fits Sun 900 Rack, Sun 72" Cab, Sun Fire Cab
- System Key
- RJ-45 to DB-9 Adapter
- RJ-45 to DB-25 Adapter
- Cat5 RJ-45 cable

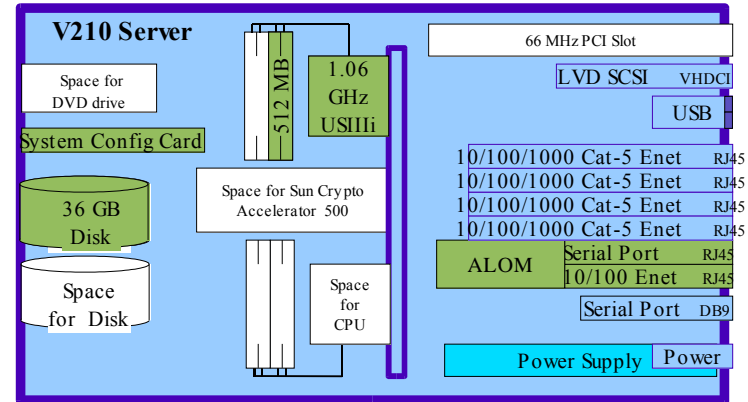
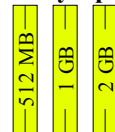
Disk Options



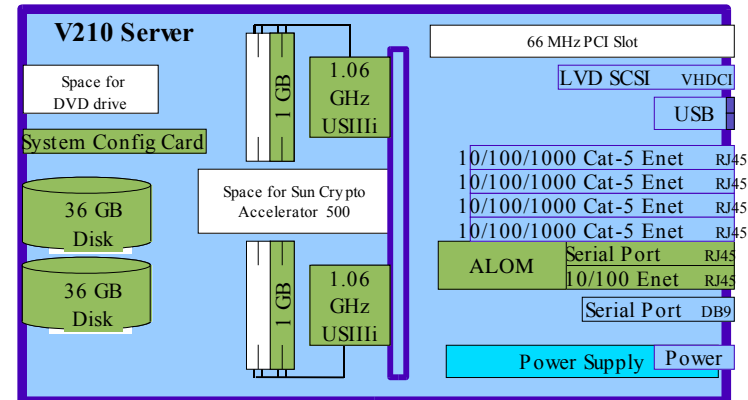
DVD Option



Memory Options



1 CPU, 512 MB memory, 1x 36 GB disk, base configuration



2 CPU, 2 GB memory, 2x 36 GB disk, base configuration

V240 Server



V240 Server

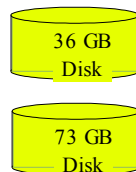
Capacity:

- 2 USIIIi CPU's - 1.06 or 1.28 GHz each
- 8 GB memory
- 4 internal 36 or 73 GB LVD disks
- 3 PCI Cards - 1x 66 MHz, 2x 33 MHz
- 4 10/100/1000Base -T Ethernet Ports
- DVD Drive Option
- Sun Crypto Accelerator Card Option
- Advanced Lights Out Management (ALOM) Card
- System Configuration Card
- Redundant Power Supplies.
- 2 Power Cords
- 2 Rack Units high

Ships with:

- Rack Mounting with cable management
- fits Sun 900 Rack, Sun 72" Cab, Sun Fire Cab
- System Key
- RJ-45 to DB-9 Adapter
- RJ-45 to DB-25 Adapter
- Cat5 RJ-45 cable

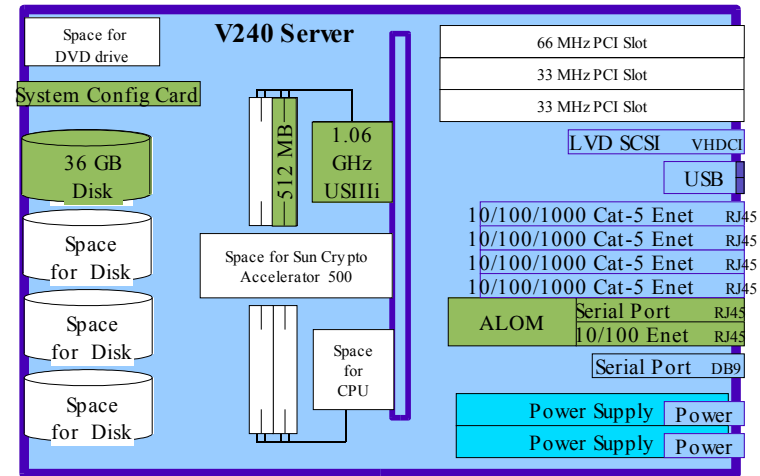
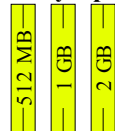
Disk Options



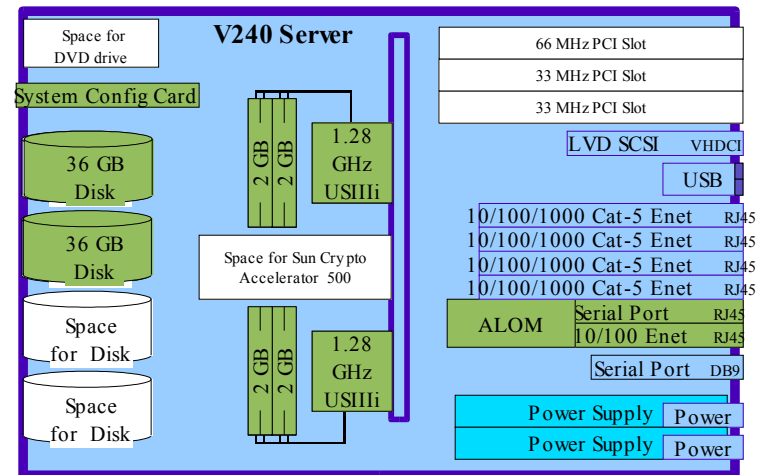
DVD Option



Memory Options



1 CPU, 512 MB memory, 1x 36 GB disk, base configuration



2 CPU, 8 GB memory, 2x 36 GB disk, base configuration

V250 Server



V250 Server

Capacity:

- 2 USIIIi CPU's - 1.06 or 1.28 GHz each
- 8 GB memory (4 GB per CPU)
- 8 internal 36 or 73 GB Ultra160 SCSI disks
- 6 PCI Cards - 3x 66/33 MHz, 3x 33 MHz
- 1 10/100/1000Base -T Ethernet Port
- DVD Drive
- Optional DDS4- DAT tape drive
- Advanced Lights Out Management (ALOM) Card
- System Configuration Card
- Redundant Power Supplies.
- 2 Power Cords

Disk Options

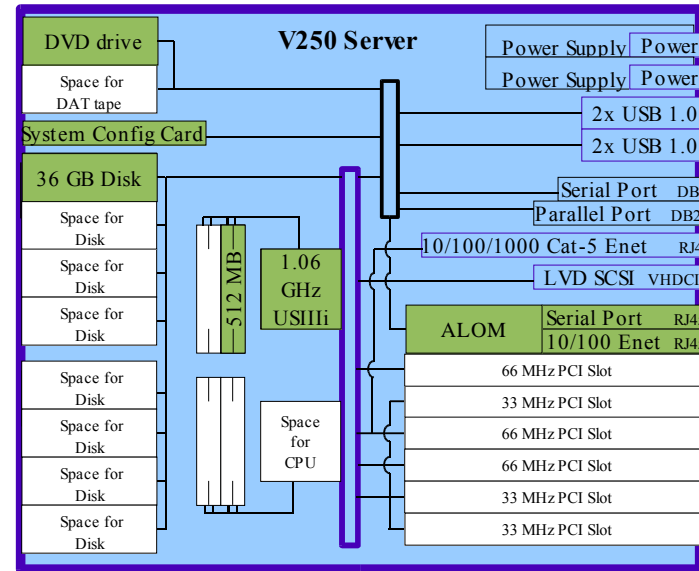
- 36 GB Disk
- 73 GB Disk

Tape Option

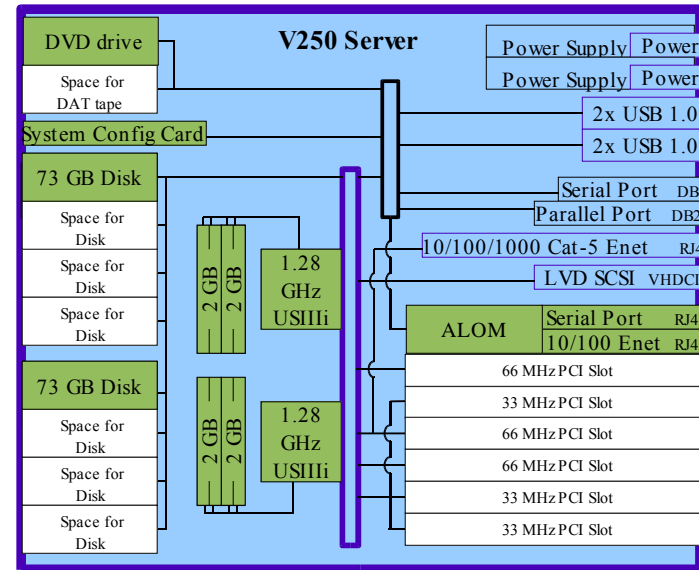
- DDS-4 Tape

Memory Options

- 512 MB
- 1 GB
- 2 GB



1 CPU, 512 MB memory, 1x 36 GB disk, base configuration



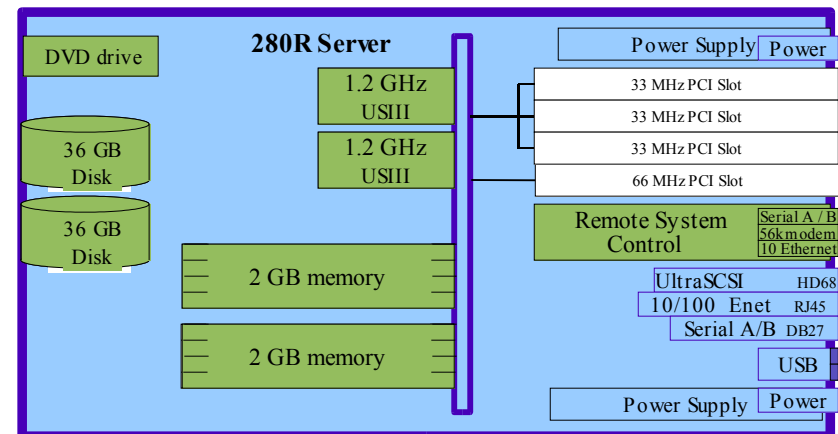
2 CPU's, 8 GB memory, 2x 73 GB disk, base configuration

280R Server



280R Server

- 2 USIII CPU's - 1.2 GHz
- 4 GB memory (8 GB max)
- 2 internal 36 GB disks
- 4 PCI Cards - 1x 66 MHz, 3x 33 MHz
- DVD Drive
- N+1 Power & Fans.
- Dual Power Cords
- 4 Rack Units (7 in.) high
- Included Rack Mount Kit fits
- Sun 900 Rack, Sun 72" Cab, Sun Fire Cab



V440 Server



V440 Server

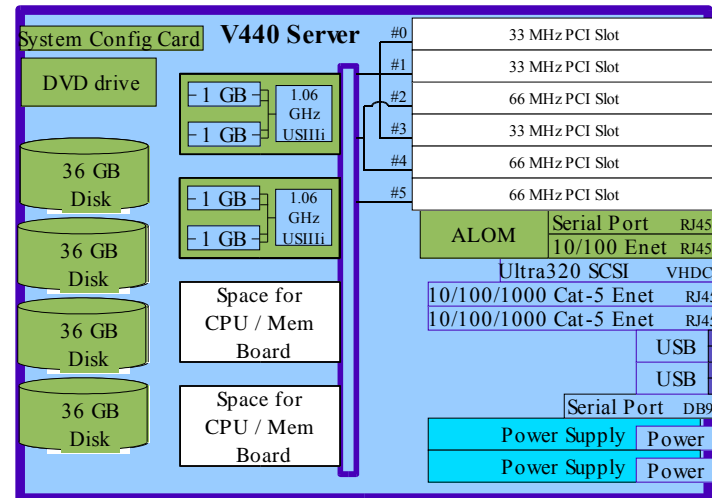
Capacity:

- 4 USIIIi CPU's - 1.062 or 1.28 GHz each
- 16 GB memory (4 GB per CPU)
- 4 internal 36 or 73 GB Ultra320 SCSI disks
- 6 PCI Cards - 3x 66/33 MHz, 3x 33 MHz
- 2 10/100/1000Base -T Ethernet Ports
- DVD Drive
- Advanced Lights Out Management (ALOM) Card
- System Configuration Card
- Redundant Power Supplies.
- 2 Power Cords
- 4 Rack Units high

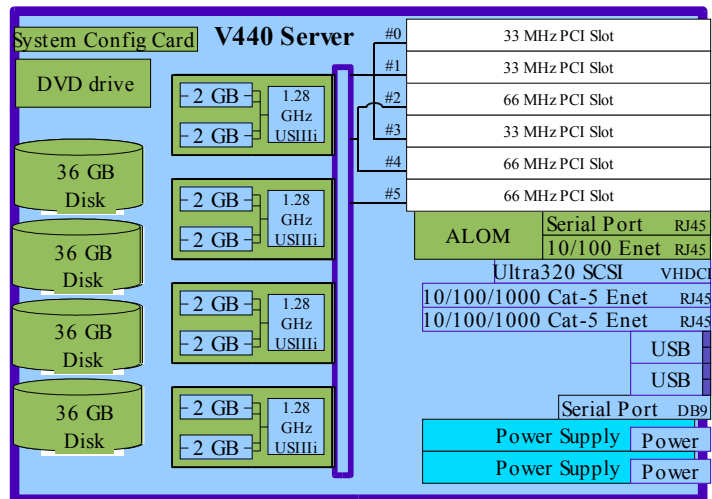
Ships with:

- Rack Mounting with cable management
- fits Sun 900 Rack, Sun 72" Cab, Sun Fire Cab
- System Key
- RJ-45 to DB-9 Adapter
- RJ-45 to DB-25 Adapter
- Cat5 RJ-45 cable

Disk Options



2 CPU's, 4 GB memory, 4 x 36 GB disk, base configuration



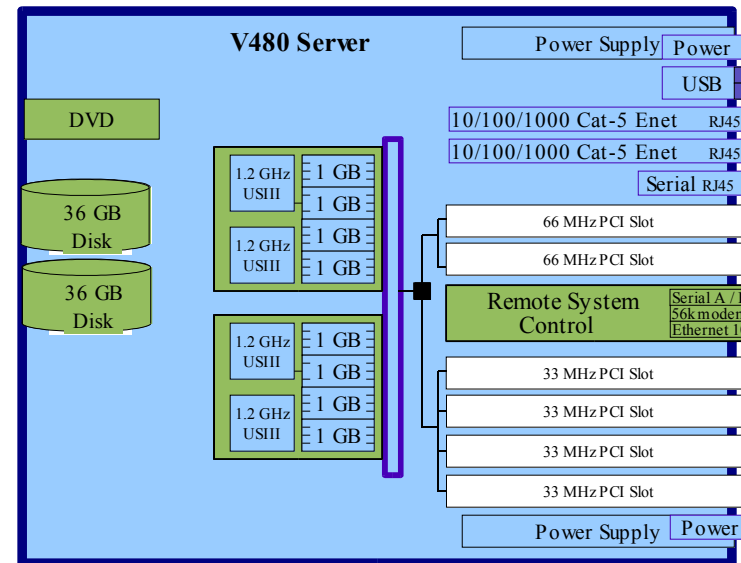
4 CPU's, 16 GB memory, 4 x 36 GB disk, base configuration

V480 Server



V480 Server

- 4 USIII CPU's – 1.2 GHz
- 32 GB memory
- 2 internal 73 GB FCAL disks
- DVD
- 6 PCI Cards - 2x 66 MHz, 4x 33 MHz
- 2x 10/100/1000 Cat-5 Ethernet
- N+1 Power & Fans.
- Dual Power Cords
- 5 Rack Units (8.75 in.) high
- Included Rack Mount Kit fits
- Sun 900 Rack & Sun 72" Cabinet

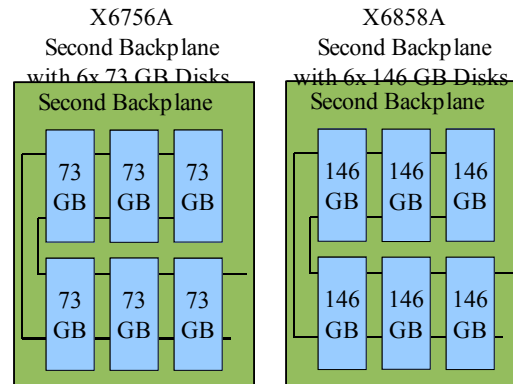
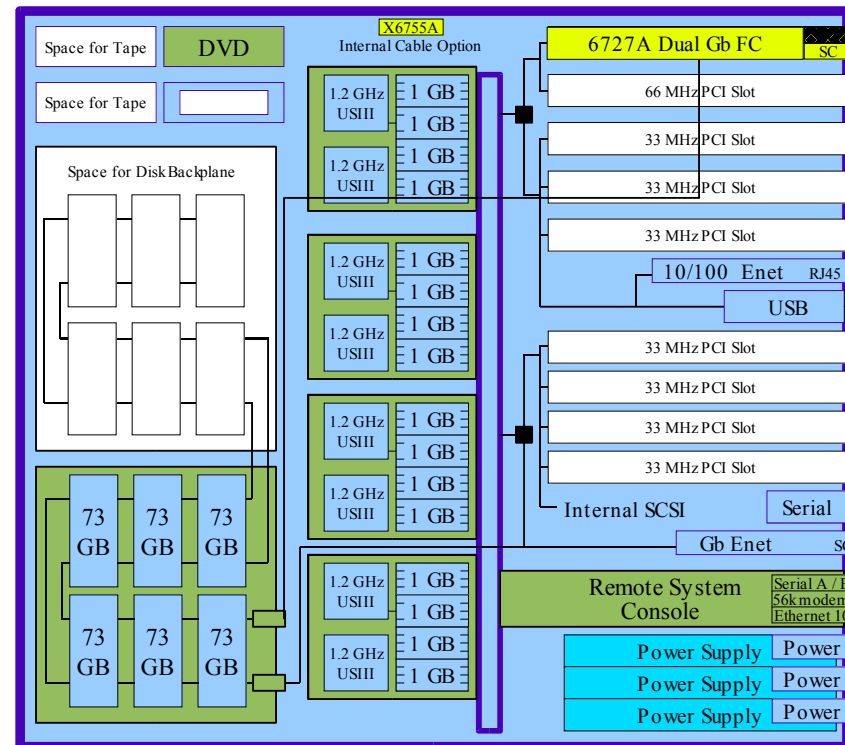


V880 Server



V880 Server

- 8 USIII CPU's - 1.2 GHz
- 16 GB memory (64 GB max)
- 6 internal 73 GB FCAL disks (12 max)
- DVD
- 9 PCI Cards - 2x 66 MHz, 7x 33 MHz
- 10/100 Enet
- Fiber 1000 Enet
- N+1 Power & Fans.
- 3 Power Cords
- 17 Rack Units high
- X9638A Sun 900 Rack Mount Kit
- X9628A Sun 72" Cabinet Mount Kit



V20z Server



V20z Server

Capacity:

- 1 or 2 AMD Opteron CPU's - 1.6, 1.8 or 2.2 GHz
- 1 - 16 GB memory
- 1-2 internal U320 SCSI (36/73) disk drives
- CD + Floppy Drive
- 2 PCI-X Card Slots - 133/66 MHz
 - 1 Full-Size 133/66 MHz, 1 Low Profile 66 MHz
- 2 10/100/1000 BaseT Ethernet Ports
- 1 USB port
- PS/2 keyboard / mouse support
- IPMI System Processor
- 1 power cord
- 1 Rack Unit high
- X9274A Rack Mount Kit for Sun Rack 900
- Not Supported in 72" Cabinet

Ships with:

Linux Resource CD (drivers, IPMI utils, etc.)

PCI-X Cards

Low Profile (also fits Full Size Slot)

9265A	U320 SCSI	VHDCI VHDCI
9271A	1000/100/10 Enet	RJ45
9272A	1000/100/10 Enet	RJ45 RJ45

133 MHz Only

9279A	2 Gb FC-AL	LC
-------	------------	----

Full Size Only

9273A	Quad 1000/100 Enet	RJ45
-------	--------------------	------

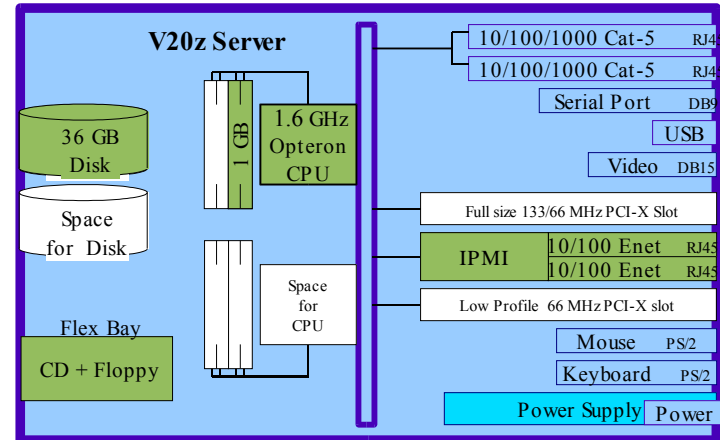
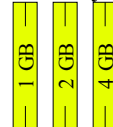
Disk Options



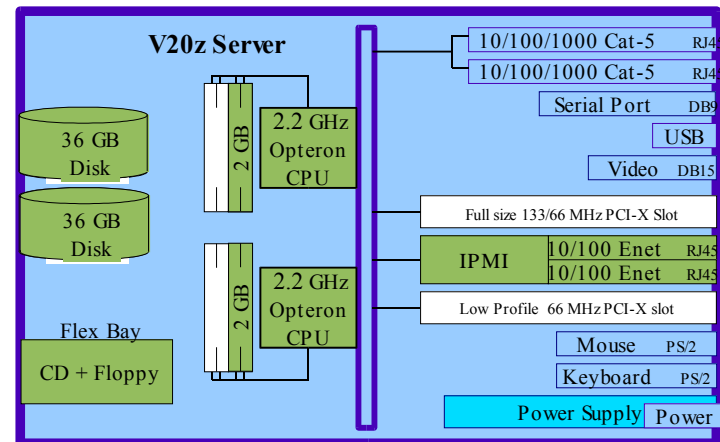
Flex Bay Options

DVD + Floppy

Memory



1x 1.6 GHz CPU, 1 GB memory, 1x 36 GB disk configuration



2x 2.2 GHz CPU's, 4 GB memory, 2x 36 GB disk configuration

V60x Server



V60x Server

Capacity:

- 1 or 2 Intel Xeon 2.8 or 3.2 GHz CPU's
- 512MB- 6 GB memory
- 1-3 internal U-320 LVD (36/73) disk drives
- CD + Floppy Drive
- 2 PCI-X Card Slots - 100/66/33 MHz
 - 1 Full-Size, 1 Low-Profile PCI
- 2 10/100/1000 BaseT Ethernet Ports
- 3 USB ports
- PS/2 keyboard / mouse support
- Graphics support up to 1600 x 1200
- IPMI for remote management
- 1 power cord
- 1 Rack Unit high
- X5030A Rack Mount Kit for Sun Rack 900 & 72" Cabinet
- X5137A Serial & RJ45 dongle kit

Ships with:

Linux Resource CD (drivers, IPMI utils, etc.)

Disk Options

- 36 GB Disk
- 73 GB Disk

PCI Card Options

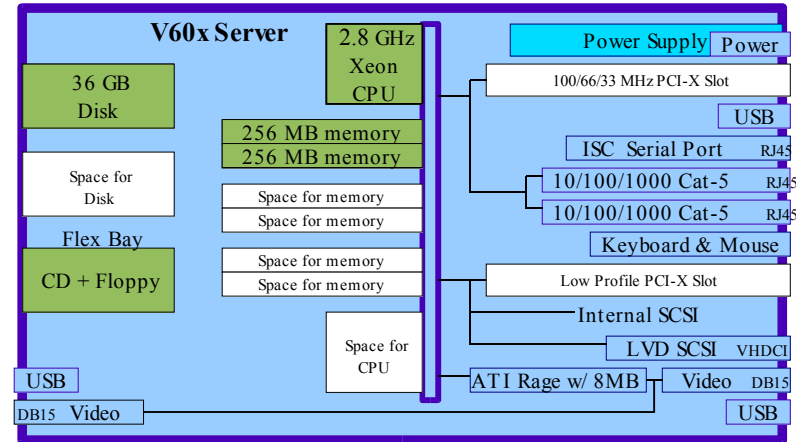
- 5132A RAID Controller
- 5133A 1 Gb FC

Flex Bay Options

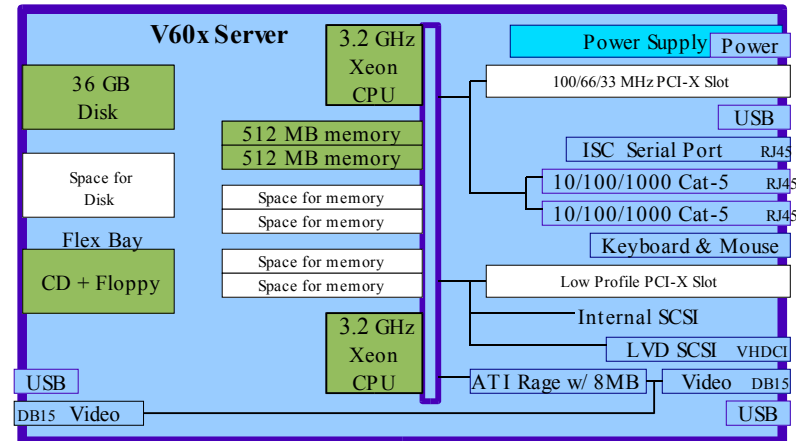
- DVD + Floppy
- 36 GB Disk
- 73 GB Disk

Memory Options

- | | | |
|---------------|---------------|-------------|
| 256 MB memory | 512 MB memory | 1 GB memory |
| 256 MB memory | 512 MB memory | 1 GB memory |



1x 2.8 GHz CPU, 512 MB memory, 1x 36 GB disk configuration



2x 3.2 GHz CPU's, 1 GB memory, 1x 36 GB disk configuration

V65x Server



V65x Server

Capacity:

- 1 or 2 Intel Xeon CPU's, 2.8 GHz or 3.2 GHz
- 512MB- 12 GB memory
- 1-6 internal U-320 LVD (36/73) disk drives
- CD + Floppy Drive
- 6 PCI-X Cards - 100/66/33 MHz
- 3 Full-size PCI slots, 3 Low-profile slots
- 2 10/100/1000 BaseT Ethernet Ports
- 3 USB ports
- PS/2 keyboard / mouse support
- Graphics support up to 1600 x 1200
- IPMI for remote management
- Redundant Power Supply Option.
- 1 Power Cords per Power Supply
- 2 Rack Units high
- X5030A Rack Mount Kit for Sun Rack 900 & 72" Cabinet
- X5137A Serial & RJ45 dongle kit

Ships with:

Linux Resource CD (drivers, IPMI utils, etc.)

DISK Options

- 36 GB Disk
- 73 GB Disk

PCI Card Options

- 5132A RAID Controller
- 5133A 1 Gb FC

Flex Bay Options

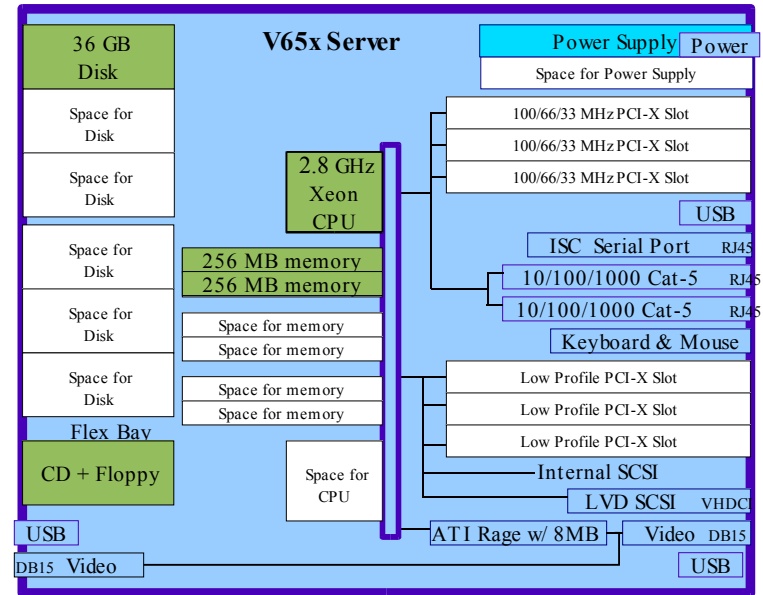
- DVD + Floppy

Redundant Power Option

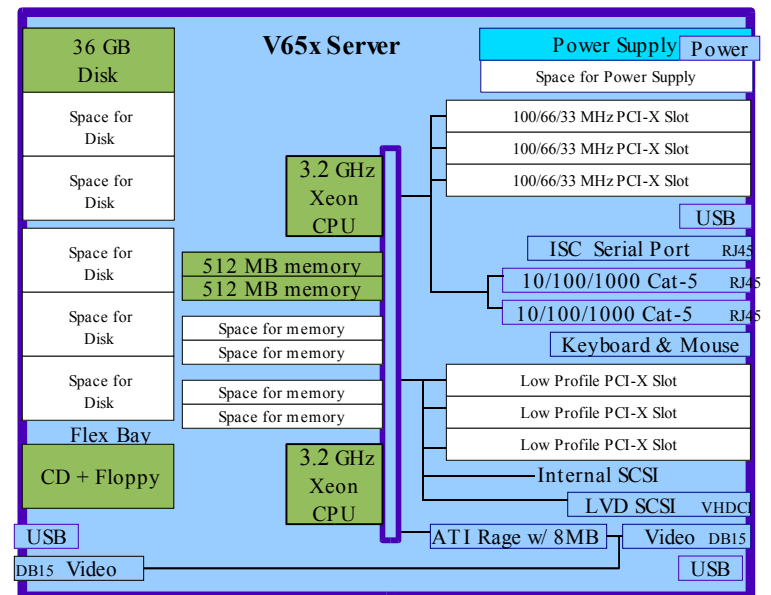
- 2nd Power Supply

Memory Options

- | | | | |
|---------------|---------------|-------------|-------------|
| 256 MB memory | 512 MB memory | 1 GB memory | 2 GB memory |
| 256 MB memory | 512 MB memory | 1 GB memory | 2 GB memory |

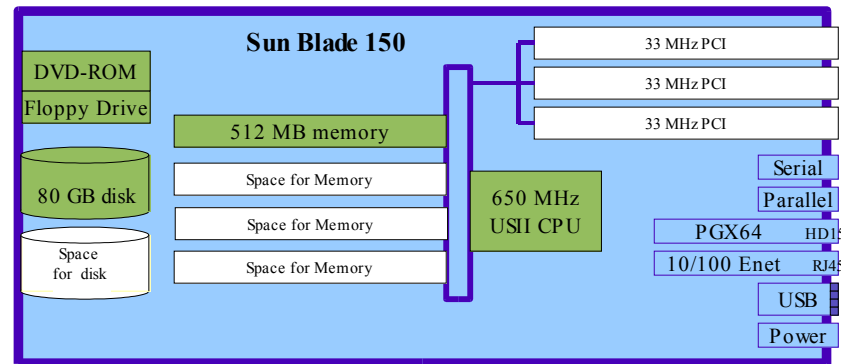


1x 2.8 GHz CPU, 512 GB memory, 1x 36 GB disk configuration



2x 3.2 GHz CPU, 1 GB memory, 1x 36 GB disk configuration

Sun Blade 150 Workstation



Sun Blade 150

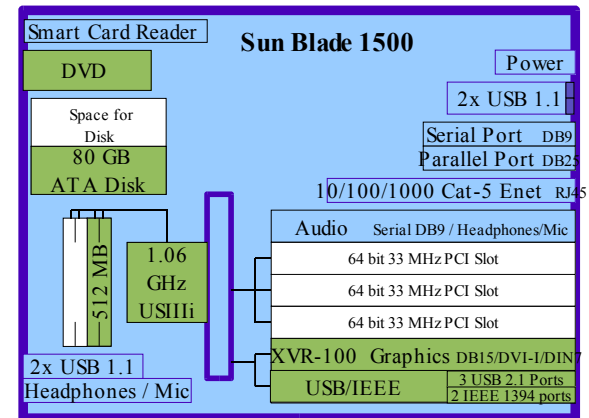
- 1 CPU -550 or 650 MHz
- 512 MB memory (2 GB max)
- 80 GB internal disk (2 max)
- DVD-ROM (CD-RW Optional)
- Floppy Drive
- 3 PCI Slots - 33 MHz

Sun Blade 1500 Workstation



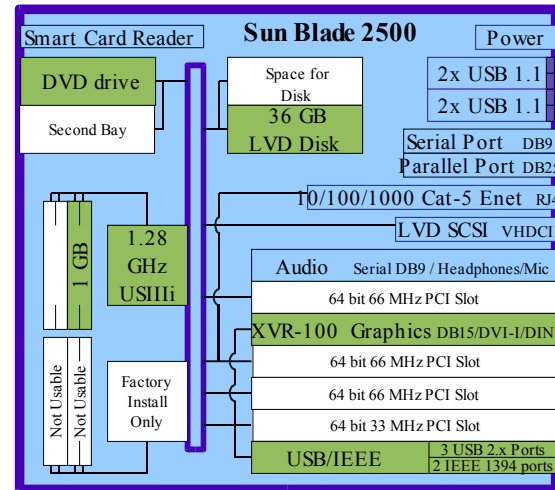
Sun Blade 1500

- 1 GHz CPU
- 512 MB memory (4 GB max)
- 80 GB ATA-100 internal disk (2 max)
- DVD ROM Drive
- Smart Card Reader
- 4 USB 1.1, 3 USB 2.0 and 2 IEEE 1394 ports
- Sun XVR-100 Graphics Accelerator
- Optional Sun XVR-500
- 2 serial, 1 parallel ports
- Gigabit Ethernet on-board
- 5 PCI Slots
 - 1 x 64-bit 66 MHz
 - 2 x 64-bit 33 MHz
 - 2 x 32-bit 33 MHz



1.06 GHz CPU, 512 MB memory, 80 GB disk, XVR 100

Sun Blade 2500 Workstation

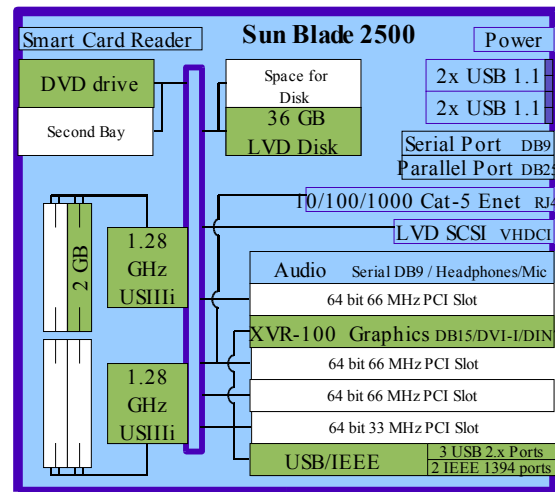


1 CPU, 1 GB memory, 36 GB disk, XVR 100

Sun Blade 2500 Workstation

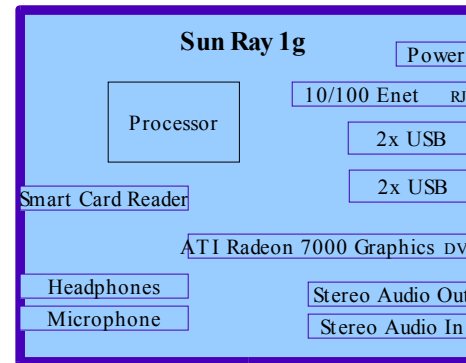
Capacity:

- 2 CPU's - 1.28 GHz each
- 8 GB memory (4 GB per CPU)
- 2 internal 36 GB Ultra160 SCSI disks
- 6 PCI Cards - 3x 66/33 MHz, 3x 33 MHz
- 1 10/100/1000Base -T Ethernet Port
- DVD Drive
- Smart Card Reader



2 CPU's, 2 GB memory, 36 GB disk, XVR 500

Sun Rays



Sun Ray 1g with 24" LCD Monitor

Smart Card Reader conforming to ISO-7816-1

ATI Radeon 7000 Graphics, 24-bit graphics,

Up to 1920x1200 @ 75 Hz, DVI/I Connector

Supports Sun's 24" LCD Flat Panel monitor and via included HD15 adapter :

- Sun's 17-in. and 21-in Monitors

- Sun's 18-in. LCD flat panel

- Standard VGA compatible monitors

10BASE-T/100BASE-T Ethernet (RJ-45)

Four standard Universal Serial Bus (USB) Type A ports, powered

Four 16-bit stereo audio ports using standard 0.125-inch (3.5-mm) jacks

- Front - headphone(out) and microphone(in)

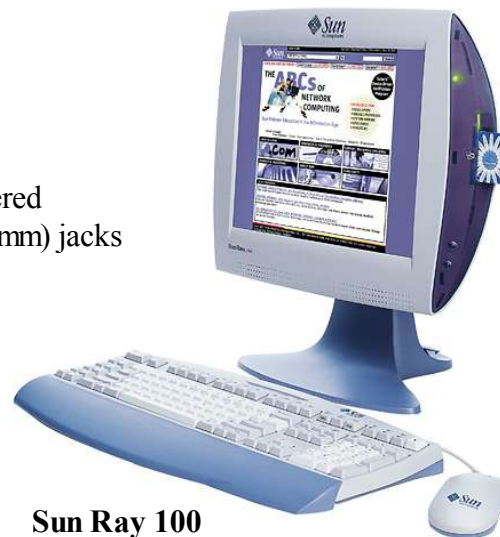
- Rear - line-in and line-out

Supports Type 6 USB keyboard and Type 6 USB mouse

Ships with

Stand

DVI/I to HD15 Adapter



Sun Ray 100
Integrated 17" CRT



Sun Ray 150
Integrated 15" LCD

Sun Monitors



17 inch Color CRT
1280 x 1024 Max Resolution
Attached HD15 video Cable



19 inch LCD
1280 x 1024 Max Resolution
DVI-I Video Connector
HD15 Connector
DVI-D to DVI-D cable
HD15 to HD15 cable



22 inch FD Trinitron CRT
1600 x 1200 Max Resolution
Attached 13W3 Video Cable
Separate HD15 Connector



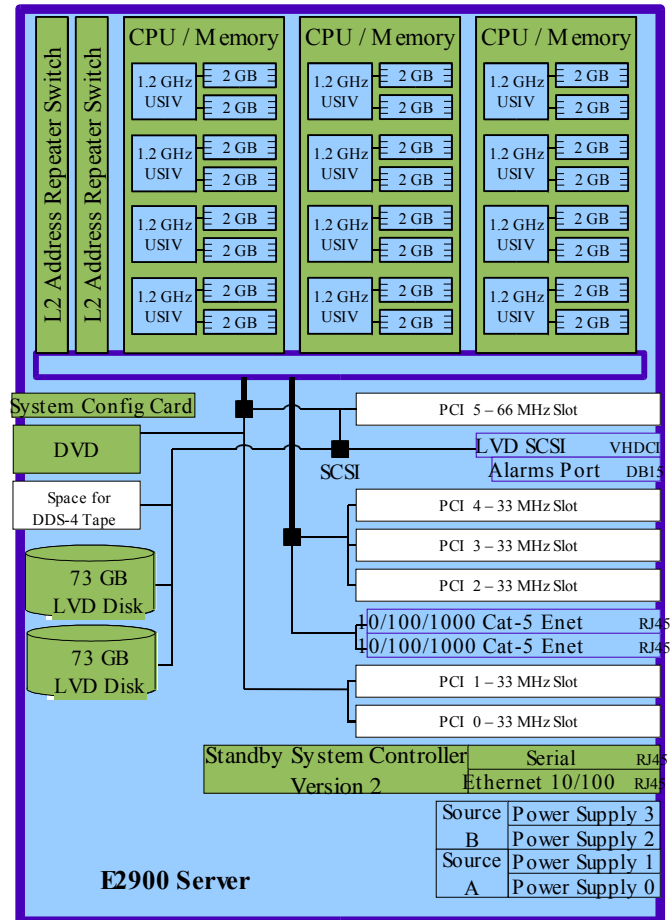
24.1 inch AM TFT LCD
1920 x 1200 Max Resolution
Ships with:
13W3/13W3 Video Cable
DVI-D/DVI-D Video Cable
S-Video Cable
C-Video Cable
USB Cable

E2900 Server

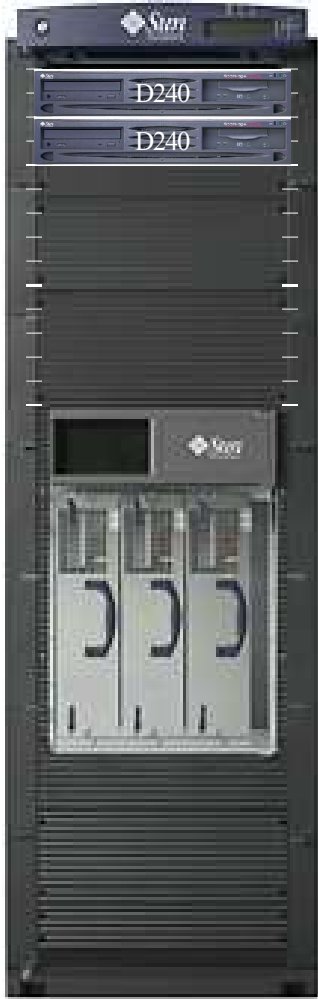


E2900 Server

- 12 USIV CPU's - 1.2 GHz (1.05 GHz available)
- 48 GB memory (96 GB max)
- 2 internal 73 GB LVD SCSI disks
- DVD
- DDS-4 Tape Option
- 6 PCI Cards - 1x 66 MHz, 5x 33 MHz
- 2x 10/100/1000 Cat-5 Ethernet
- 2N Power & Fans.
- 4 Power Cords
- 12 Rack Units high
- Included Rack Mount Kit works with Sun 900 Rack & Sun 72" Cabinet

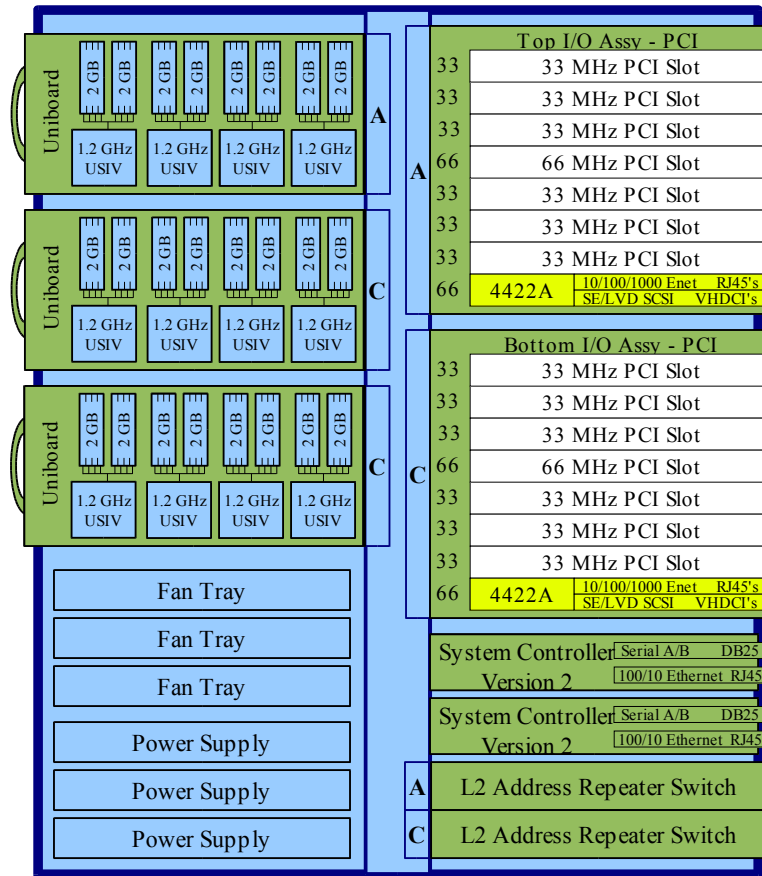


E4900 Server



2 D240 Media Trays
 Each with: DVD
 2 x 73 GB disks
 DDS-4 Tape Drive

E4900 Server
 12 USIV CPU's - 1.2 GHz (1.05 GHz available)
 48 GB Memory (96 GB max)



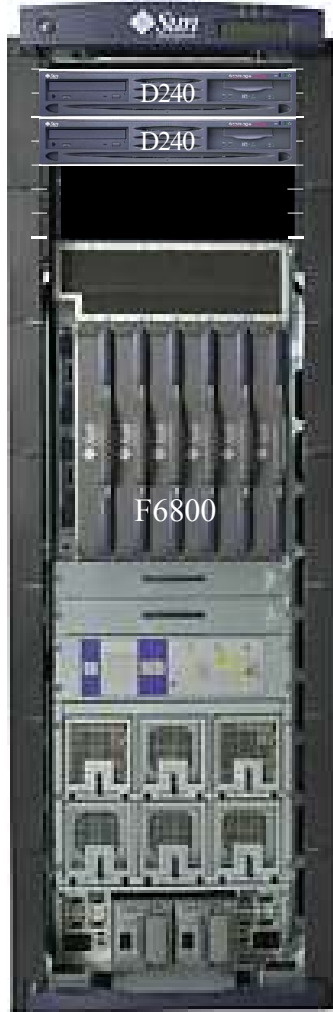
Domain Configuration

Label	Function	Segment	CPU's	Memory
A	Production	0	4	8 GB
B	(not available)			
C*	Staging	1	8	16 GB
D*	(not available)			

* Segmenting the system enables use of these Domains

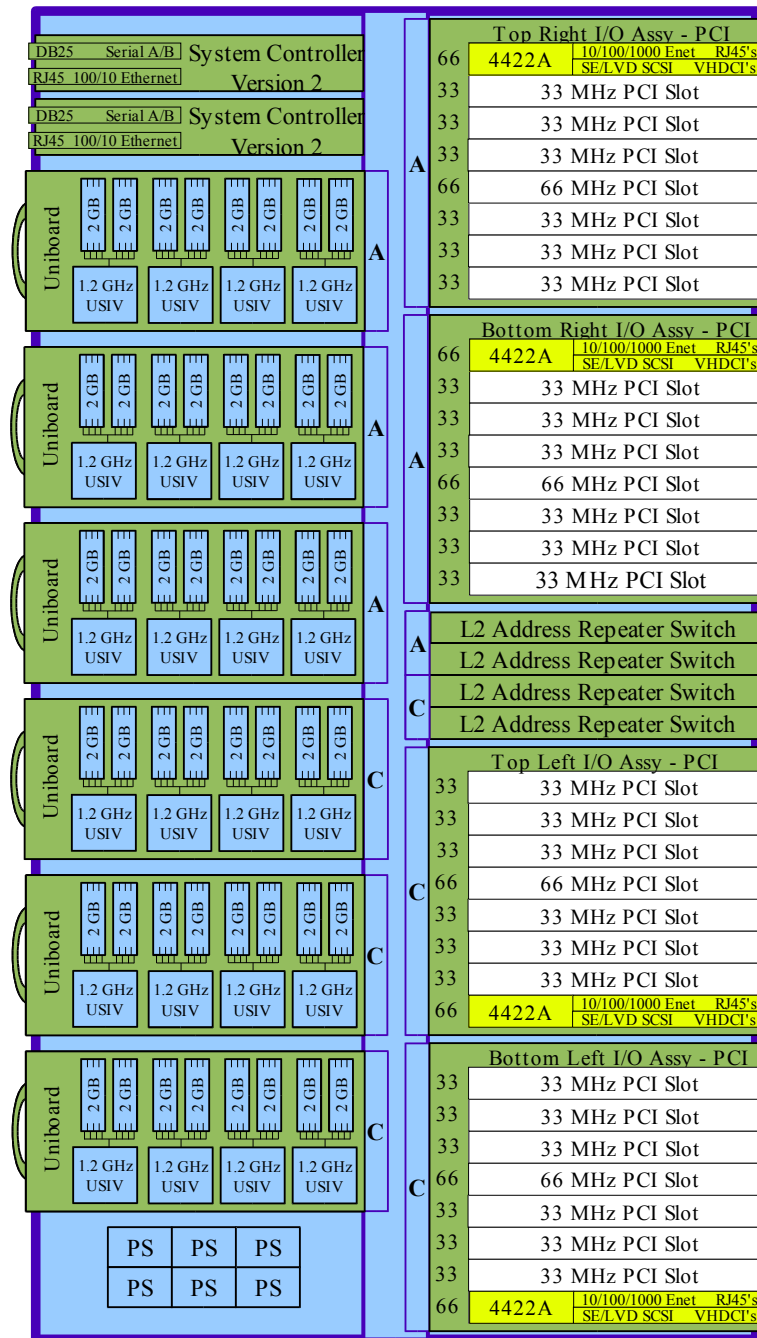
NOTE: Each Domain requires at least one CPU / Memory Board and one I/O Assembly.

E6900 Server



2 D240 Media Trays
 Each with: DVD
 2 x 73 GB disks
 DDS-4 Tape Drive

E6900 Server
 24 USIV CPU's - 1.2 GHz
 (1.05 GHz available)
 96 GB Memory (192 GB max)



Domain Configuration

Label	Function	Segment	CPU's	Memory
A	Production	0	12	48 GB
B	(available)	0		
C*	Staging	1	12	48 GB
D*	(available)	1		

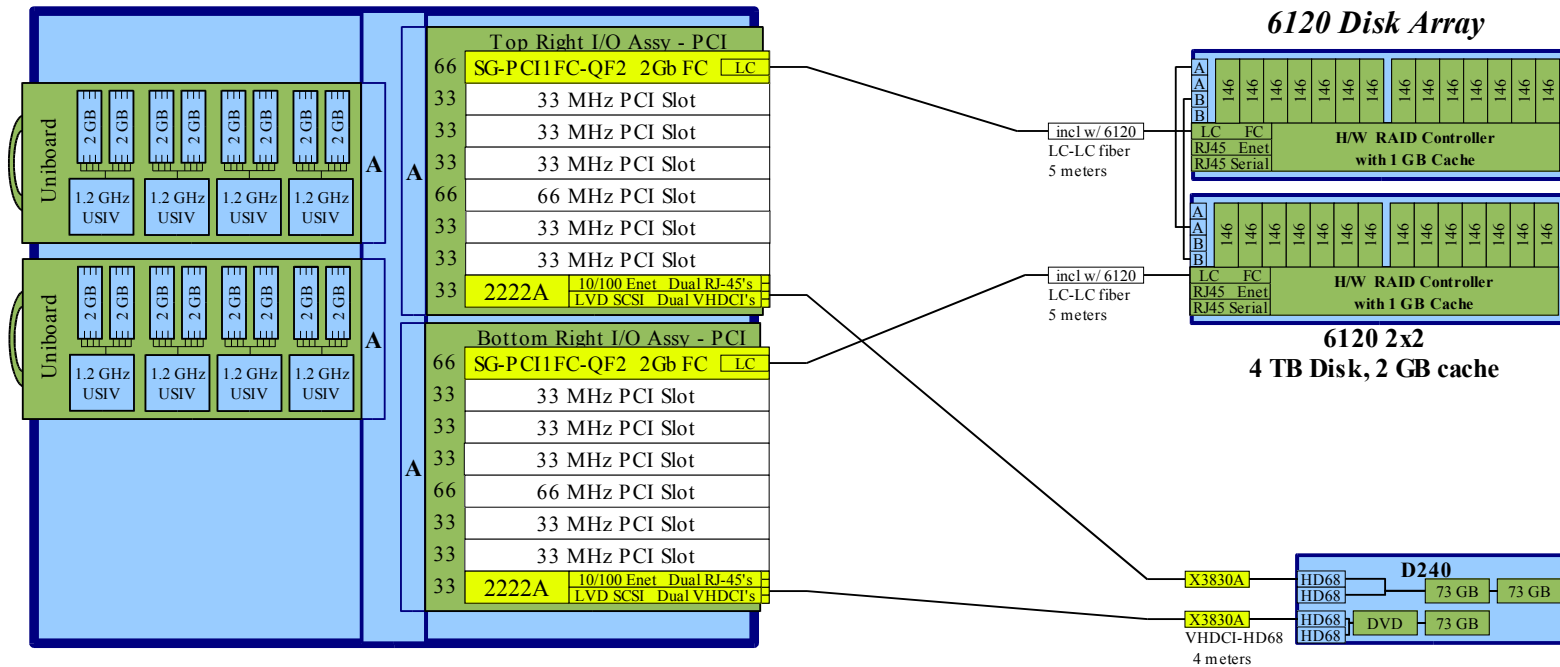
* Segmenting the system enables use of these Domains

NOTE: Each Domain requires at least one CPU / Memory Board and one I/O Assembly.

Domain Example



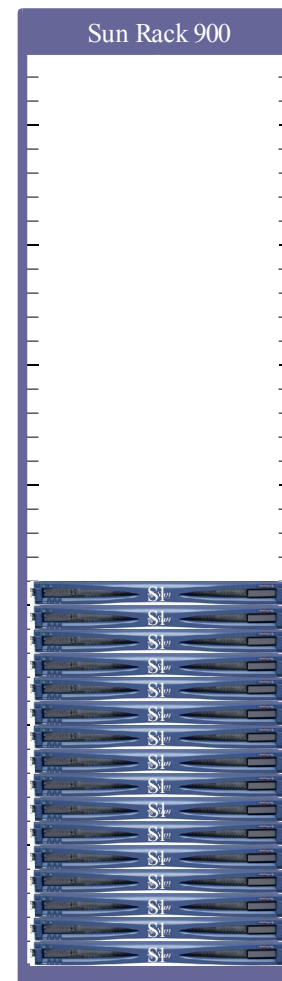
Domain A: Production



E20K/E25K Server Details



Sun Fire E25K Server
72 USIV CPU's
576 GB memory
18 domains



Boot Disks
Mirrored S1's

E25K Server



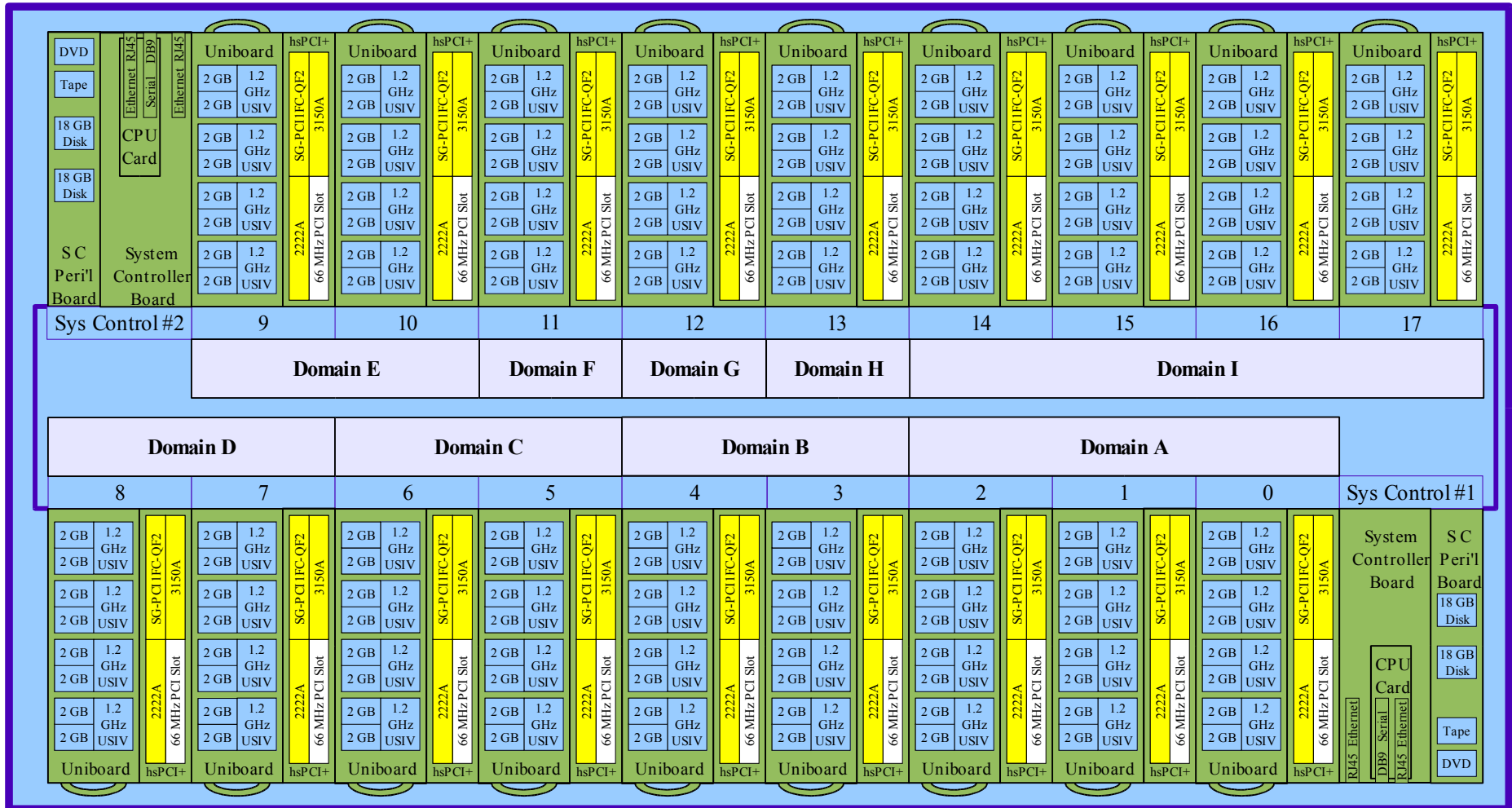
Domain	Use	CPU's	Memory	Usable Disk
A	Production	12	48 GB	290 GB*
B	Production	8	32 GB	608 GB*
C	Production	8	32 GB	524 GB*
D	Production	8	32 GB	276 GB*
E	Production	8	32 GB	55 GB*

*has mirror of same size for backup

Domain	Use	CPU's	Memory	Usable Disk
F	Test	4	16 GB	276 GB
G	Dev	4	16 GB	220 GB
H	B Test & Dev	4	16 GB	608 GB
I	App Rel Testing	16	48 GB	939 GB
Total			72	288 GB

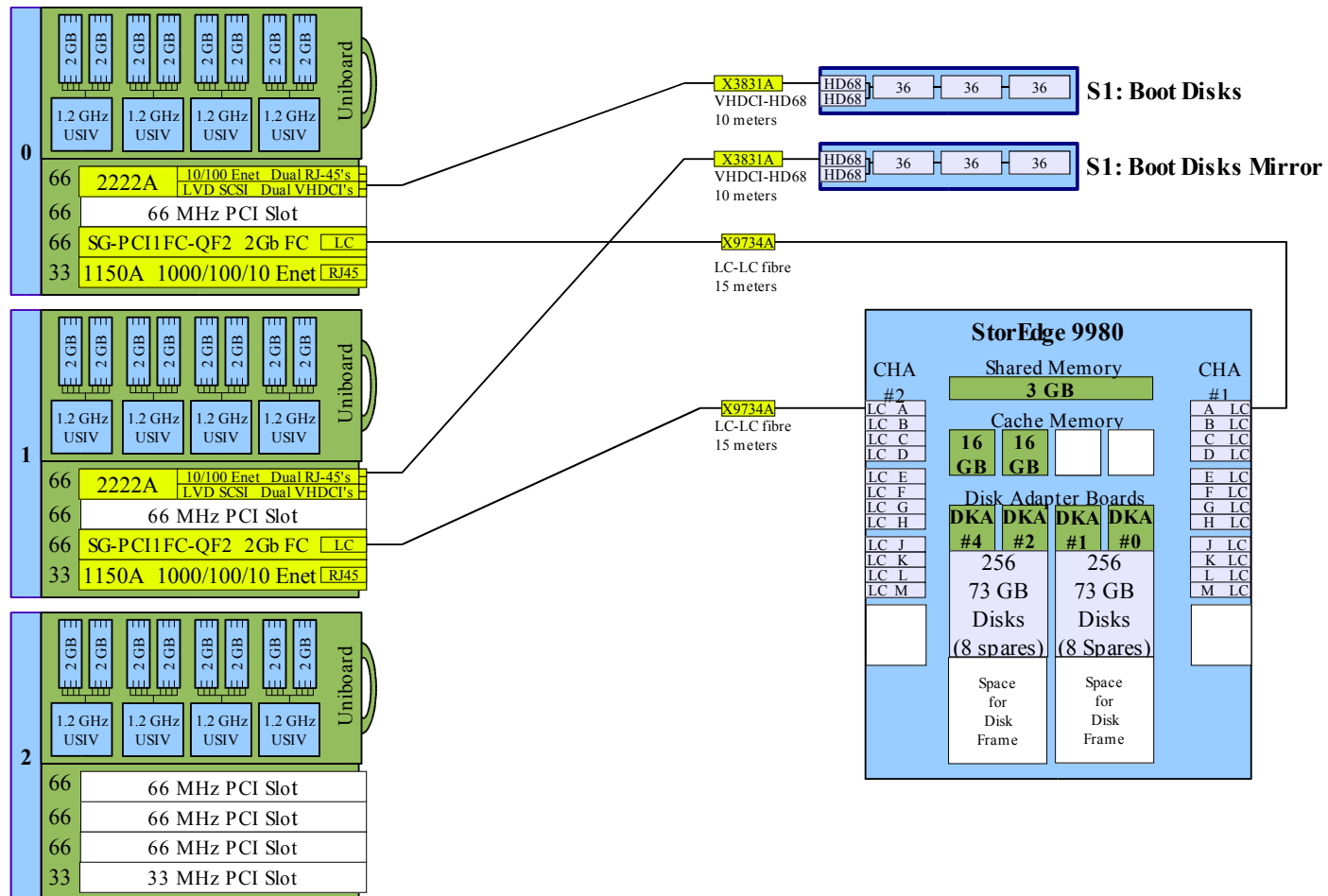
Available: 2867 GB
6.6 TB

E25K Back



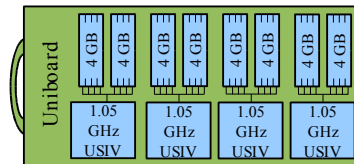
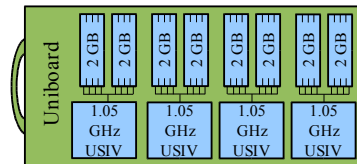
E25K Front

E20K/E25K Domain Example

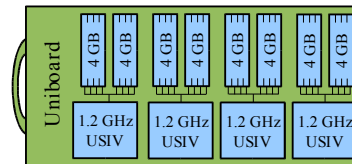
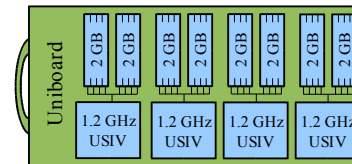


E4900/E6900/E20K/E25K CPU Board Options

**US IV
1.05 GHz**



**USIV
1.2 GHz**



PCI Card Options

PCI Cards

66/33 MHz PCI Cards

1150A 1000/100/10 Enet RJ45	Last Order Data: 4/16/04
3150A 1000/100/10 Enet RJ45	
1151A Gb Enet MFM	Last Order Data: 4/16/04
3151A Gb Enet MFM	
6799A Gb FC SC	
6727A Dual Gb FC SC SC	
SG-XPCI1FC-QF2 2Gb FC LC	Was 6767A
SG-XPCI2FC-QF2 2Gb FC LC LC	Was 6768A
SG-XPCI1FC-JF2 JN1 2Gb LC	
SG-XPCI2FC-JF2 JN1 2Gb LC LC	
6758A Dual LVD SCSI VHDCI VHDCI	
2222A 10/100 Enet Dual RJ45's LVD SCSI Dual VHDCI's	Last Order Data: 6/09/04
4422A 10/100/1000 Enet RJ45's SE/LVD SCSI VHDCI's	
4444A 10/100/1000 Enet RJ45's	Full Length: does not fit into V2900/V1280

33 MHz PCI Cards

1034A Quad 100 Enet RJ45	Last Order Data: 8/24/04
6540A UltraSCSI VHDCI VHDCI	
6541A UltraSCSI Diff VHDCI VHDCI	
1071A HIPPI/P 1.1	
1155A High Speed Serial 2.0	
1157A ATM 155 4.0 MFM	
2156A Serial Async 3.0	
1074A SCI cluster	

SCSI Cables

HD68 - HD68

X1134A HD68-HD68 0.8 meter	X1139A HD68-HD68 2 meters	X3810A HD68-HD68 4 meters	X979A HD68-HD68 12 meters
----------------------------------	---------------------------------	---------------------------------	---------------------------------

VHDCI - HD68

X1132A VHDCI-HD68 0.8 meter	X3832A VHDCI-HD68 2 meters	X3830A VHDCI-HD68 4 meters	X3831A VHDCI-HD68 10 meters
-----------------------------------	----------------------------------	----------------------------------	-----------------------------------

VHDCI - VHDCI

X1136A VHDCI-VHDCI 0.8 meter	X1137A VHDCI-VHDCI 1.2 meters	X1138A VHDCI-VHDCI 2 meters	X3830B VHDCI-VHDCI 4 meters
		X3831B VHDCI-VHDCI 10 meters	

Fibre Cables

SC - SC Fibre

X973A SC-SC fibre 2 meters	X9715A SC-SC fibre 5 meters	X978A SC-SC fibre 15 meters
		X9739A SC-SC fibre 100 meters

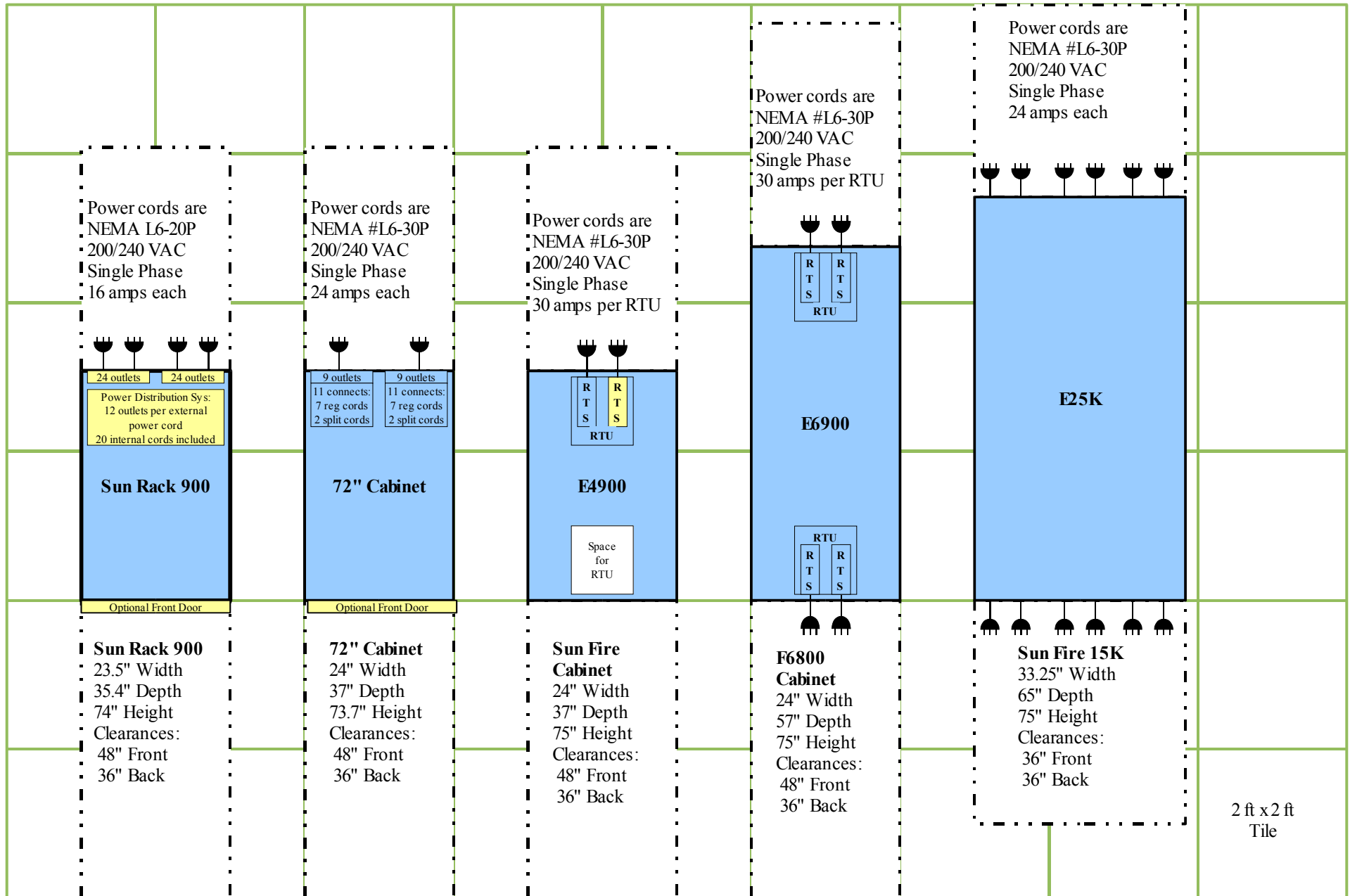
SC - LC Fibre

X9721A SC-LC fibre 0.4 meter	X9722A SC-LC fibre 2 meters	X9723A SC-LC fibre 5 meters	X9724A SC-LC fibre 15 meters
		X9735A SC-LC fibre 25 meters	X9737A SC-LC fibre 50 meters

LC / LC Fibre

X9732A LC-LC fibre 2 meters	X9733A LC-LC fibre 5 meters	X9734A LC-LC fibre 15 meters
	X9736A LC-LC fibre 25 meters	X9738A LC-LC fibre 50 meters

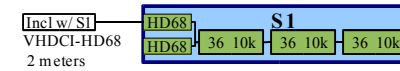
Site Plan



Disk Array Details



S1



S1 Disk Array

2 or 3 36, 73, or 146 GB LVD SCSI disks

Will also operate as SCSI-2

1 Rack Unit

Rack Mount Kits:

X6919A: Rack Mount Kit for Sun 900 Rack & Sun 72" Cab

X6920A: Sun Fire Cabinet Rack Mount Kit

Ships with:

Incl w/ S1	Incl w/ S1
HD68-HD68	VHDCI-HD68
2 meters	2 meters

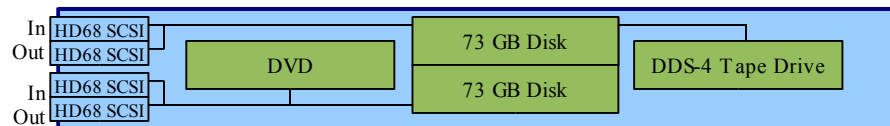
Disk Options

36 10k 36 10k 36 10k

73 10k 73 10k 73 10k

146 10k 146 10k 146 10k

D240



D240 Media Tray

DVD

2 x 73 GB disks

DDS-4 Tape Drive

-or-

DVD

3 x 73 GB disks -or-

-or-

4 x 73 GB disks

Features:

N+1 Power & Fans

Hot Swappable Power & Fans

Dual power cords

Dual or Single Ultra SCSI connections

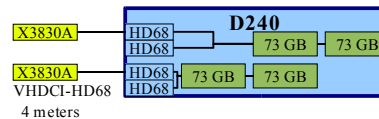
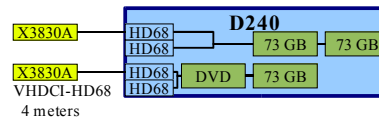
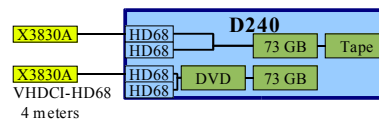
2 Rack Units (3.5 in.) high

Rack Mount Kits:

Included: Sun 72" Cab & Sun Fire Cab

X6839A: Sun Rack 900 Mount Kit

Configuration Options



3120 SCSI Array



StorEdge 3120 SCSI Array

2, 3, or 4 Ultra320 SCSI Disks: 36GB 15K,
73GB 10K, 73GB 15K, 146GB 10K

Configurable to single or dual busses

Supports 1 or 2 hosts

N+1 Power & Fans

Dual power cords

1 Rack Units (1.75 in) high

JBOD only array

Can not be daisy chained

Not yet qualified as boot device

Rackmount Kit for Sun Rack 900 & Sun 72" Cabinet :

XTA-30001URK-19U

Sun Fire Cabinet support later.

Host Bus Adapters:

6758A Dual LVD SCSI	VHDCI VHDCI
---------------------	----------------

2222A	10/100 Enet Dual RJ45's LVD SCSI Dual VHDCI's
-------	--

4422A	10/100/1000 Enet RJ45's SE/LVD SCSI VHDCI's
-------	--

9265A U320 SCSI	VHDCI VHDCI
-----------------	----------------

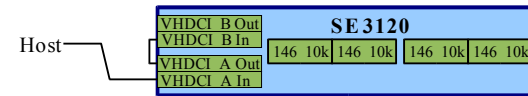
V20z only

Cables:

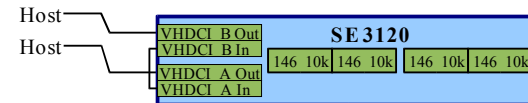
X1136A VHDCI-VHDCI 0.8 meter	X1137A VHDCI-VHDCI 1.2 meters	X1138A VHDCI-VHDCI 2 meters
------------------------------------	-------------------------------------	-----------------------------------

X3830B VHDCI-VHDCI 4 meters	X3831B VHDCI-VHDCI 10 meters
-----------------------------------	------------------------------------

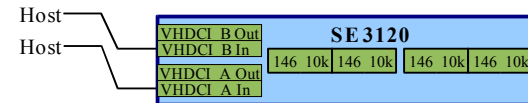
JBOD Array Configurations



1 Host, Single Bus



2 Host Connections, Single Bus



2 Host Connections, Dual Bus

Disk Options

36 15k	36 15k	36 15k	36 15k
--------	--------	--------	--------

73 10k	73 10k	73 10k	73 10k
--------	--------	--------	--------

73 15k	73 15k	73 15k	73 15k
--------	--------	--------	--------

146 10k	146 10k	146 10k	146 10k
---------	---------	---------	---------

3310 SCSI Array



StorEdge 3310 SCSI Array

5-12 LVD SCSI Disks: 36GB 10K, 36GB 15K,
73GB 10K, 73GB 15K, 146GB 10K
5 TB raw disk total(RAID & 2 JBOD arrays)
Configurable to single or dual busses
N+1 Power & Fans
Dual power cords
2 Rack Units (3.5 in) high

RAID Array:

Up to 2 H/W Raid Controllers
512 MB cache for each controller
Built-in Battery

JBOD Array

Use as standalone or as expansion
to a RAID Array.
Raid Controllers can NOT be added to
JBOD Arrays

Rackmount Kit for Sun 72" Cabinet:
XTA-3310-RK-19L

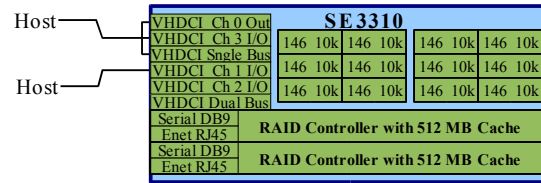
Host Bus Adapter:

6758A Dual LVD SCSI	VHDCI
	VHDCI

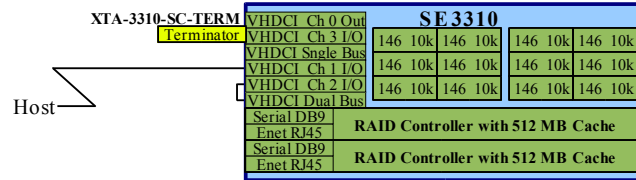
Cables:

X1136A	X1137A	X1138A
VHDCI-VHDCI	VHDCI-VHDCI	VHDCI-VHDCI
0.8 meter	1.2 meters	2 meters
X3830B	X3831B	
VHDCI-VHDCI	VHDCI-VHDCI	
4 meters	10 meters	

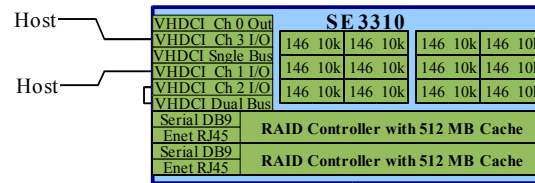
RAID Array Configurations



1 or 2 Host Connections, Single Bus

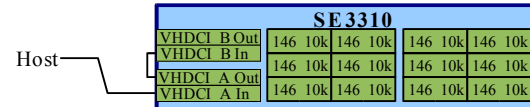


1 Host Connection, Dual Bus

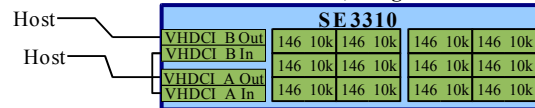


2 Host Connections, Dual Bus

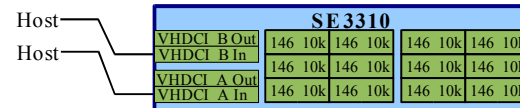
JBOD Array Configurations



1 Host, Single Bus

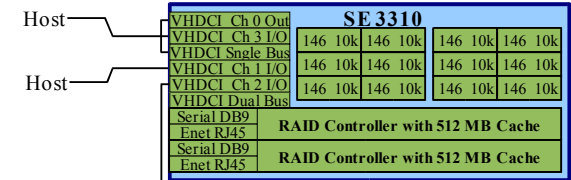


2 Host Connections, Single Bus

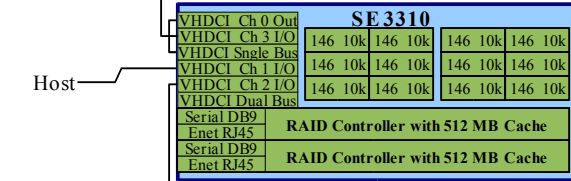
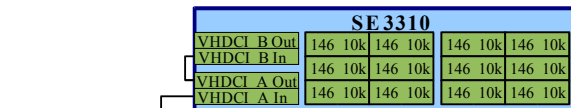


2 Host Connections, Dual Bus

RAID Array Sets



1 or 2 Host Connections
each array on separate Bus



1 Host Connection
each array on separate Bus

Disk Options

36 15k	36 15k	36 15k	36 15k	73 10k	73 10k	73 10k	73 10k	73 15k	73 15k	73 15k	73 15k	146 10k	146 10k	146 10k	146 10k
36 15k	36 15k	36 15k	36 15k	73 10k	73 10k	73 10k	73 10k	73 15k	73 15k	73 15k	73 15k	146 10k	146 10k	146 10k	146 10k
36 15k	36 15k	36 15k	36 15k	73 10k	73 10k	73 10k	73 10k	73 15k	73 15k	73 15k	73 15k	146 10k	146 10k	146 10k	146 10k

3510 FC Array



StorEdge 3510 Fibre Channel Array
 5x-12x 36, 73, or 146 GB FC Disks
 5.1 TB max raw disk total (1 RAID & 2 JBOD Arrays)
 N+1 Power & Fans
 Dual power cords
 2 Rack Units (3.5 in) high

RAID Array:
 Up to 2 H/W Raid Controllers
 1 GB cache for each controller
 Built-in Battery Backup

JBOD Array:
 Use as standalone or as expansion to a RAID Array.
 Raid Controllers can be added to JBOD Arrays.

Rackmount Kit for 72" Cabinet:
 XTA-3310-RK-19L

Host Bus Adapters:

- SG-XPCI1FC-QF2 2Gb FC

LC

- SG-XPCI2FC-QF2 2Gb FC

LC

Cables:

- | |
|--------|
| X9732A |
|--------|

 LC-LC fibre 2 meters
- | |
|--------|
| X9733A |
|--------|

 LC-LC fibre 5 meters
- | |
|--------|
| X9734A |
|--------|

 LC-LC fibre 15 meters
- | |
|--------|
| X9736A |
|--------|

 LC-LC fibre 25 meters
- | |
|--------|
| X9738A |
|--------|

 LC-LC fibre 50 meters

SFP:

LC SFP

 XSFP-SW-2GB

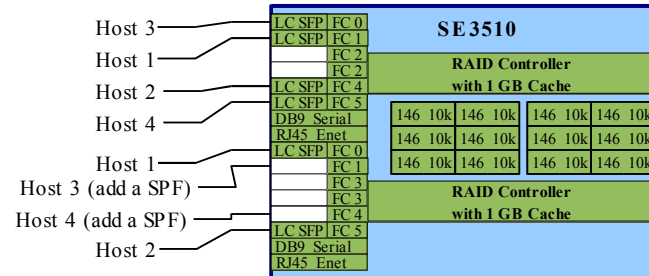
36 15k	36 15k	36 15k	36 15k
36 15k	36 15k	36 15k	36 15k
36 15k	36 15k	36 15k	36 15k

73 10k	73 10k	73 10k	73 10k
73 10k	73 10k	73 10k	73 10k
73 10k	73 10k	73 10k	73 10k

73 15k	73 15k	73 15k	73 15k
73 15k	73 15k	73 15k	73 15k
73 15k	73 15k	73 15k	73 15k

146 10k	146 10k	146 10k	146 10k
146 10k	146 10k	146 10k	146 10k
146 10k	146 10k	146 10k	146 10k

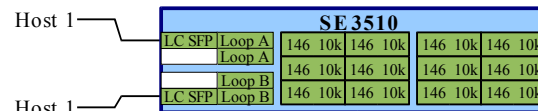
RAID Array Configuration



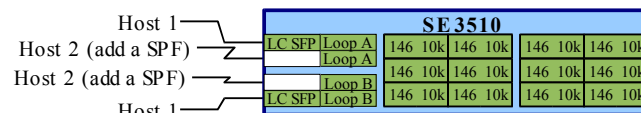
Dual RAID Controllers
 8 single host connections or
 4 redundant host connections

Single RAID Controller is supported
 4 single host connections

JBOD Array Configurations

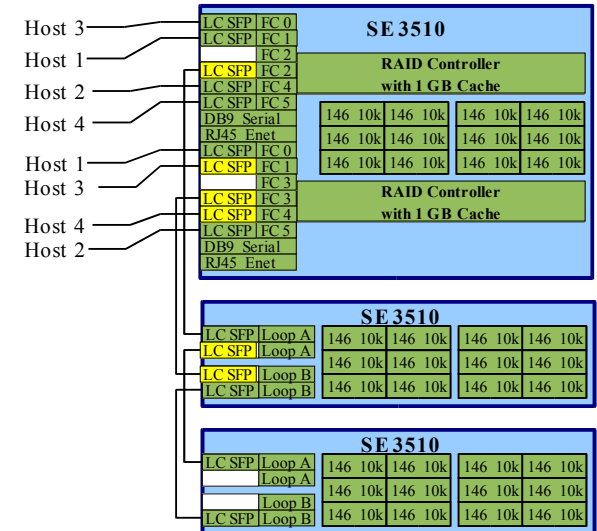


2 single host connections or
 1 redundant host connection



2 redundant host connections

RAID Array Sets



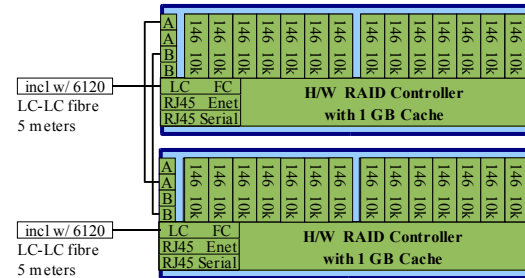
Dual RAID Controller
 8 single host connections or
 4 redundant host connections
Dual JBOD Arrays

Single RAID Controller is supported
 4 single host connections

Single JBOD Array is supported

Disk Options

6120 FC Array



6120 Array Set
4 TB Disk, 2 GB cache

StorEdge 6120 Array

- 7-14 36, 73, or 146 GB FC Disks per tray
- 12 TB max raw disk total (2 RAID & 4 Expansion Trays)
- N+1 Power & Fans
- Dual power cords
- 3 Rack Units (3.5 in) high each tray

RAID Array:

- H/W Raid Controller
- 1 GB cache
- Built-in Battery Backup

Expansion Array:

- Use as expansion to a RAID Array.
- Raid Controllers can be added to Expansion Arrays.

Rack Mount Kit:

- X6886A 3 RU Rackmount Kit for Sun Rack 900, 72" Cabinet, and SunFire Cabinet:

Ships with:

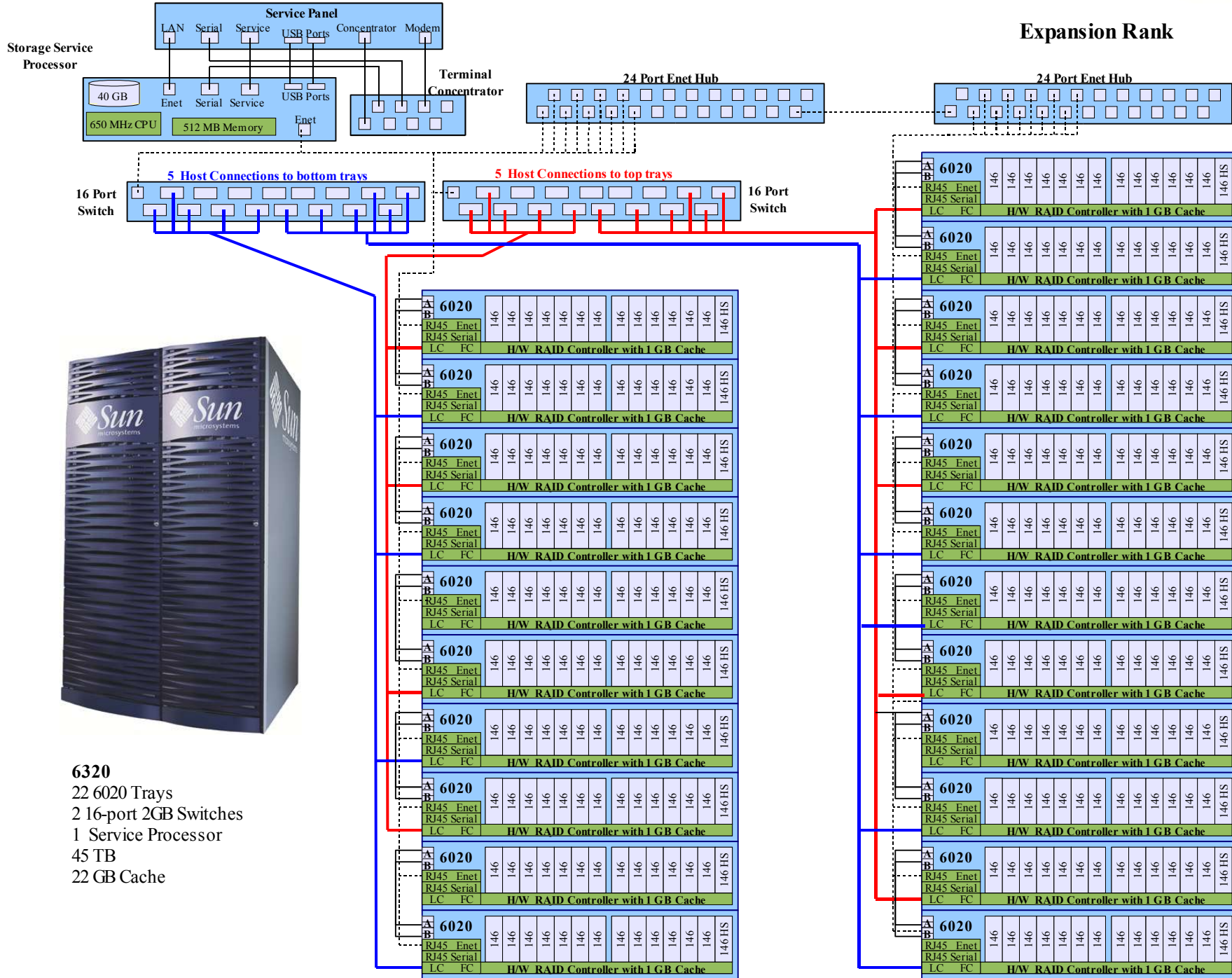
- 5 meter LC-LC cable
- 6 meter RJ45-RJ45 Enet cable

Disk Options

7 to 14 disks per tray



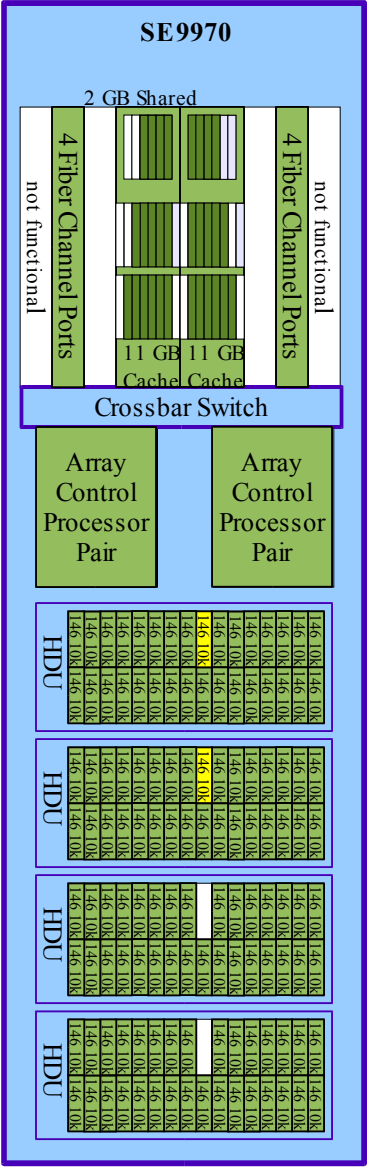
6320



Expansion Rank

- 6320
- 22 6020 Trays
- 2 16-port 2GB Switches
- 1 Service Processor
- 45 TB
- 22 GB Cache

SE9970



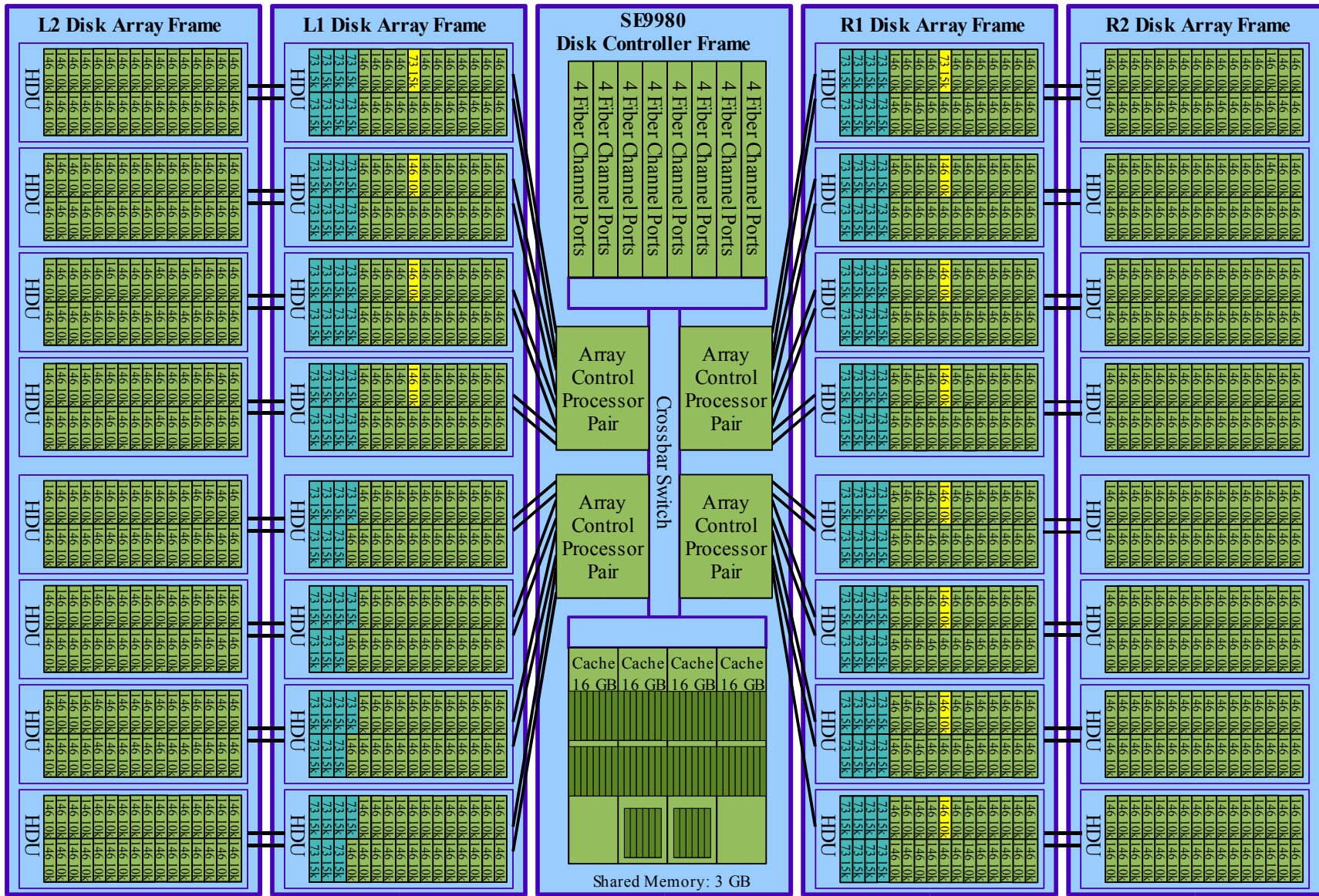
SE9970 Capacity:
 128 Disks: 36/73/146 GB each
 18 TB raw
 32 GB cache

Available Disks:

- 36 GB 15k
- 3 GB 10k
- 73.1 GB 15k
- 146 GB 10k

Global hot spare disks:
■ Spare must be same size and rpm as working disk.

SE9980



SE9980 Capacity:
 1024 Disks: 36/73/146 GB each
 147 TB raw
 64 GB cache

Available Disks:

■ 36 GB 15k
 ■ 3 GB 10k
 ■ 7.3 GB 15k
 ■ 146 GB 10k

Global hot spare disks:

■ Spare must be same size and rpm as working disk.



Your Name Here

Your Email Address Here

