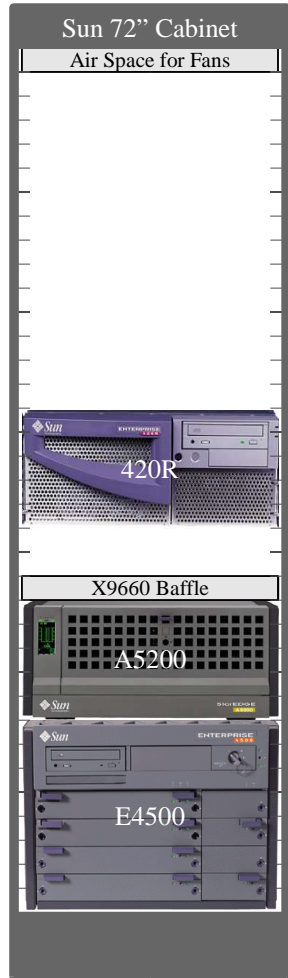


EOL Server Products



420R Server
 4 CPU's
 4 GB memory
 2x 36 GB Disks

A5200 Disk Array
 14x 36 GB FC Disks

E4500 Server
 12 CPU's
 12 GB memory



L7 Tape Library
 1 Drive, 7 Cartridges
 2 per 5 RU

D2
 12x 36 GB Disks

E250 Server

E450 Server



Enterprise 10000
 36 CPU's
 36 GB Memory



cPCI Parts for F4800 & F6800 Servers

For F4800-F6800

I/O Assy - cPCI			
3 (33)	1232A SunSwift <table border="1"><tr><td>UltraSCSI</td></tr><tr><td>10/100 Enet</td></tr></table>	UltraSCSI	10/100 Enet
UltraSCSI			
10/100 Enet			
2 (33)	33MHz cPCI Slot		
1 (66)	66 Mhz cPCI Slot		
0 (66)	66 Mhz cPCI Slot		

For F6800 Right Side Only
(Assy is installed flipped)

Top Right I/O Assy - cPCI			
0 (66)	66 Mhz cPCI Slot		
1 (66)	66 Mhz cPCI Slot		
2 (33)	33MHz cPCI Slot		
3 (33)	1232A SunSwift <table border="1"><tr><td>UltraSCSI</td></tr><tr><td>10/100 Enet</td></tr></table>	UltraSCSI	10/100 Enet
UltraSCSI			
10/100 Enet			

cPCI

66 Mhz cPCI Cards

6748A	SC
	SC
1261A Gigabit Ethernet	
SC-XPCI1FC-JN2 JN1 2GB	LC

33 Mhz cPCI Cards

1234A Quad Ethernet	
1232A	UltraSCSI
	10/100 Enet
6549A	UltraSCSI Diff
	UltraSCSI Diff

cPCI Cards with Last Order Dates

1266A ATM 155	03-DEC-2003
1268A ATM 622	03-DEC-2003



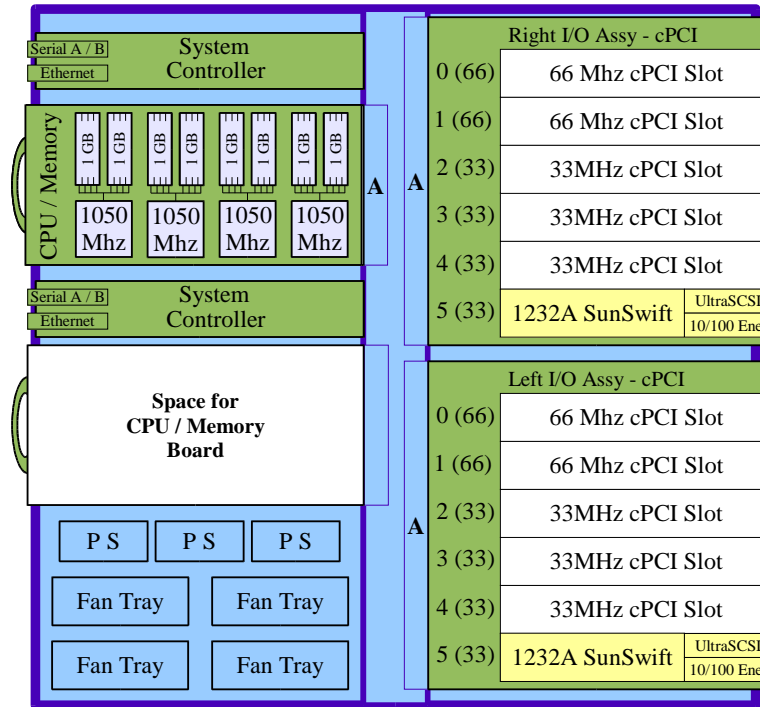
F3800 Server Detail



3800 Server

Capacity:
 8 CPU's
 64 GB Memory
 12 Compact PCI slots
 8.5 Rack Units (15 in.) high

As Quoted:
 4 CPU's
 16 GB Memory



As Quoted

Domain Configuration

Label	Function	Segment	CPU's	Memory
A	Production	0	4	16 GB
B	(not available)			
C*	(available)	1		
D*	(not available)			

* Segmenting the system enables use of these Domains

NOTE: Each Domain requires at least one CPU / Memory Board and one I/O Assembly.



250 Server
Detail



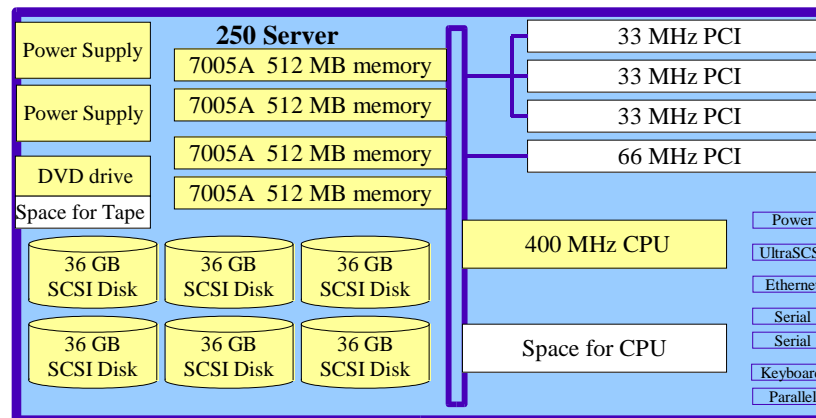
Enterprise 250 Server

Capacity:

- 2 CPU's 400MHz
- 2 GB memory
- 6 internal 36 GB SCSI disks
- 4 PCI Cards - 1x 66 Mhz, 3x 33 Mhz
- N+1 Power & Fans.
- 7 Rack Units

As Quoted:

- 1 CPU – 000 Mhz
- 1 GB Memory
- 2 internal 36 GB FCAL disks
- DVD Drive



As Quoted

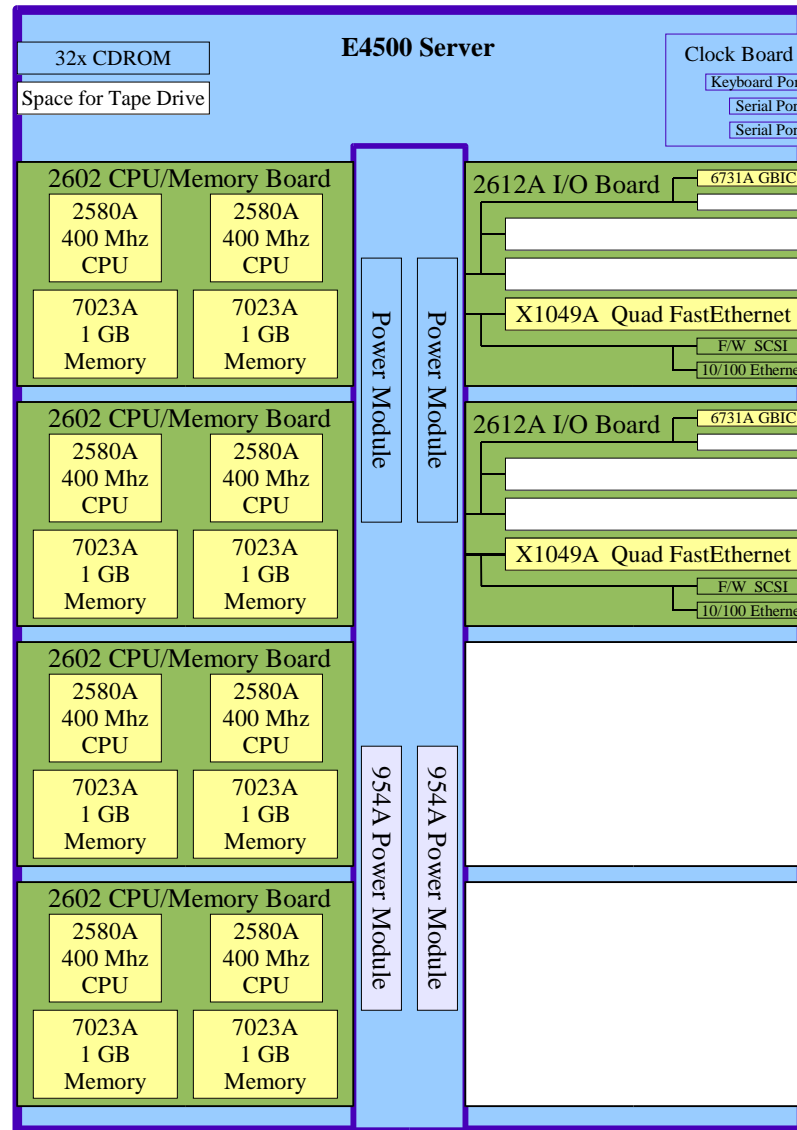


E4500 Server Detail



E4500 Server

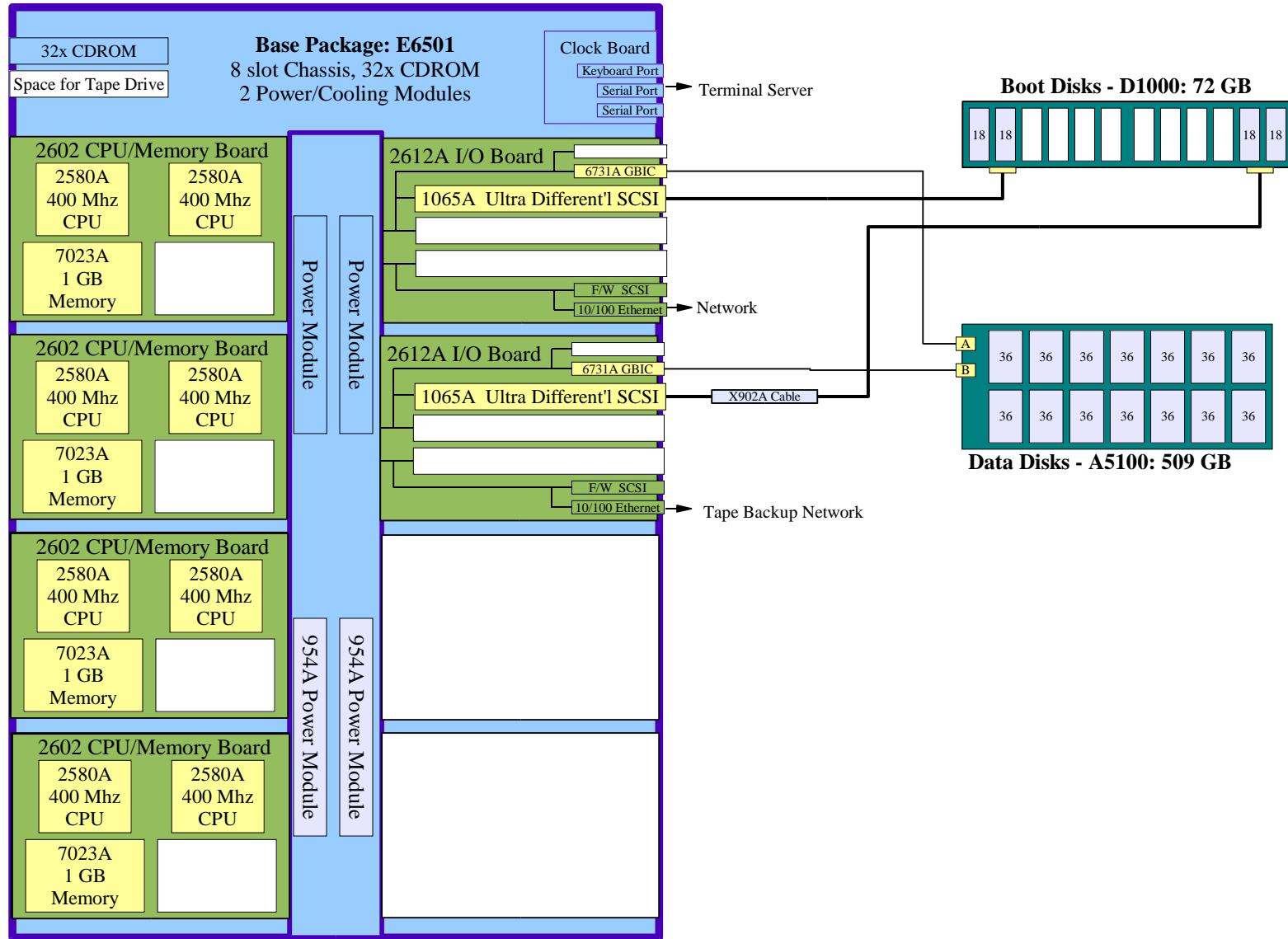
Capacity:
 8 Slots - 4 front, 4 back
 12 cpu's - 400 Mhz (using 6 slots)
 28 GB memory
 N+1 Power & Fans.
 8 Rack Units (14 in.) high



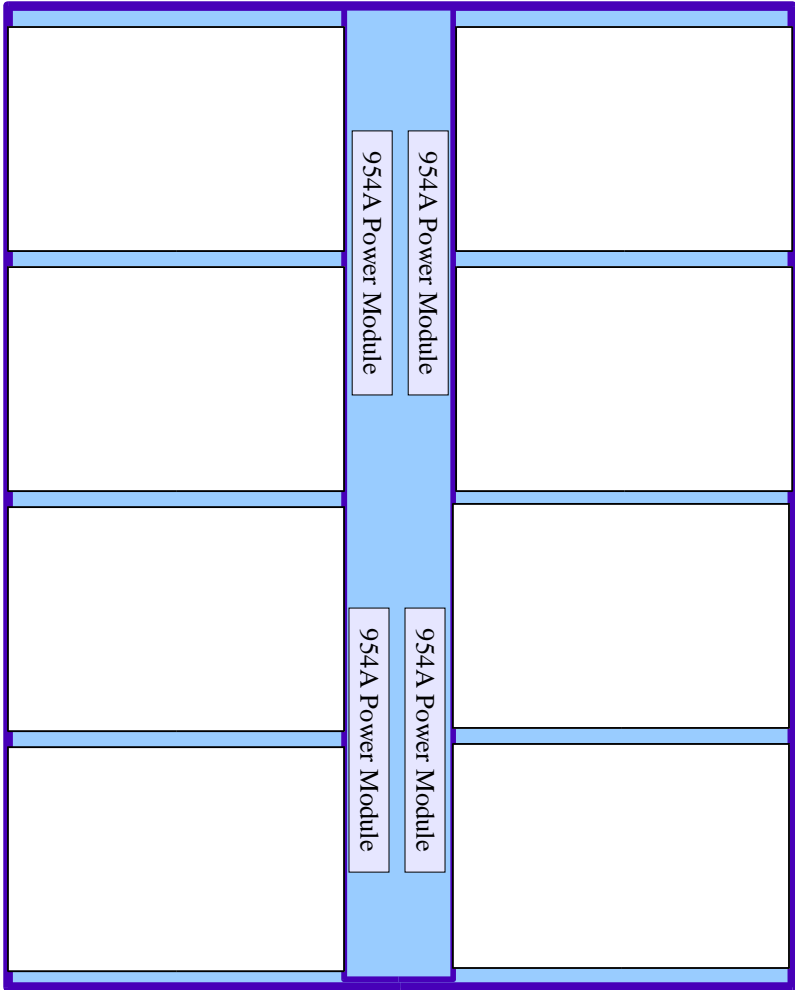
As Configured



E6500 Server Top Half Detail



E6500 Server Bottom Half Detail



Enterprise 420R Server Detail



420R Server

Capacity:

4 cpu's - 450 Mhz

4 GB memory

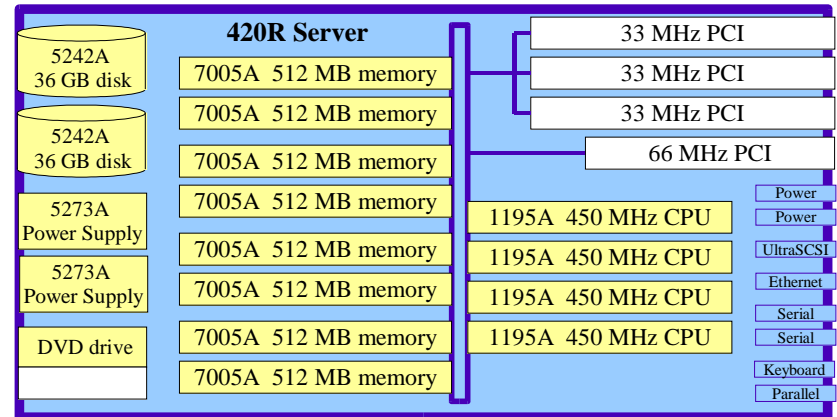
2 internal disks - 36 GB each

4 PCI Cards - 1x 66 Mhz, 3x 33 Mhz

N+1 Power & Fans.

Dual Power Cords

4 Rack Units (7 in.) high



As Configured

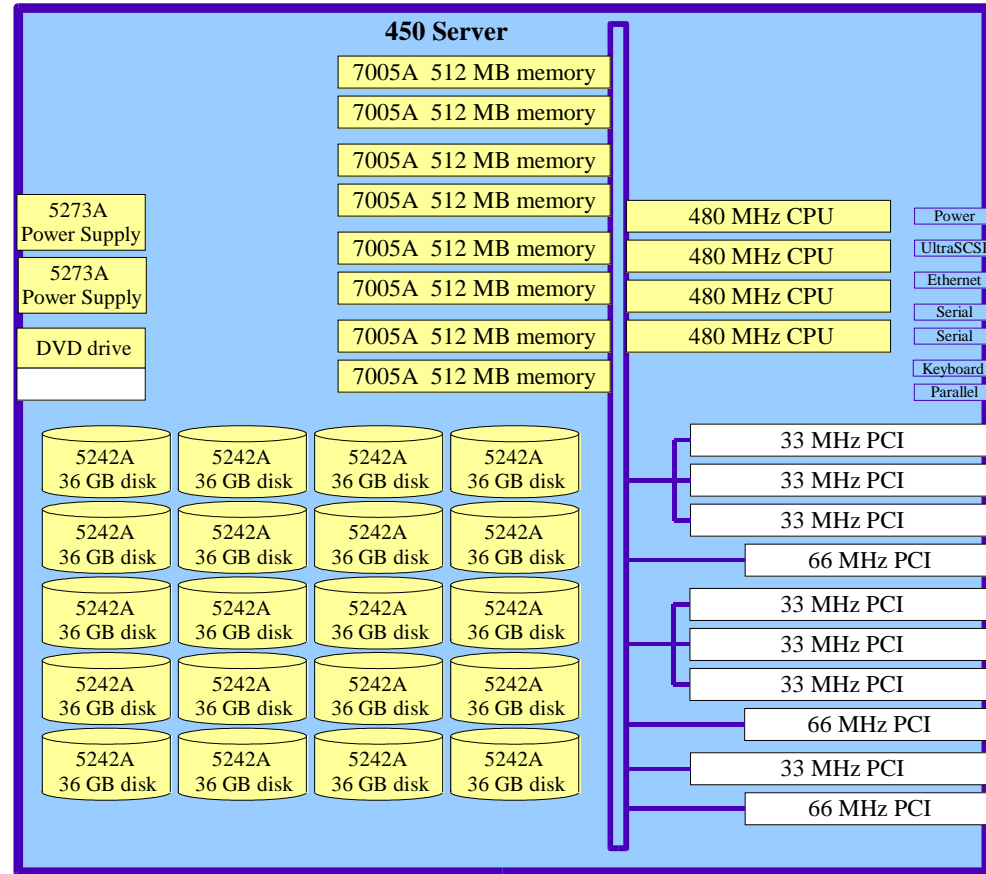


Enterprise 450 Server Detail



Enterprise 450 Server

Capacity:
 4 cpu's - 480 Mhz
 4 GB memory
 20 internal disks - 36 GB each
 10 PCI Cards - 3x 66 Mhz, 7x 33 Mhz
 N+1 Power & Fans.
 14 Rack Units



As Configured



Enterprise 220R Server Detail



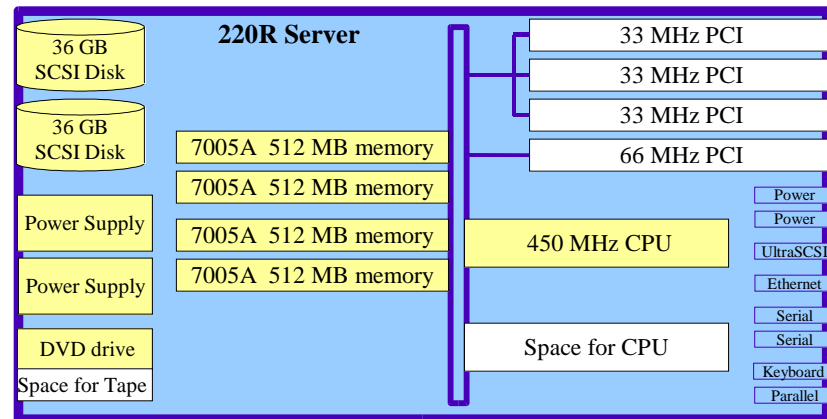
Sun Fire 220R Server

Capacity:

- 2 CPU's 450MHz
- 2 GB memory
- 2 internal 36 GB SCSI disks
- 4 PCI Cards - 1x 66 Mhz, 3x 33 Mhz
- N+1 Power & Fans.
- Dual Power Cords
- 4 Rack Units (7 in.) high

As Quoted:

- 1 CPU – 450 Mhz
- 1 GB Memory
- 2 internal 36 GB FCAL disks
- DVD Drive



As Quoted

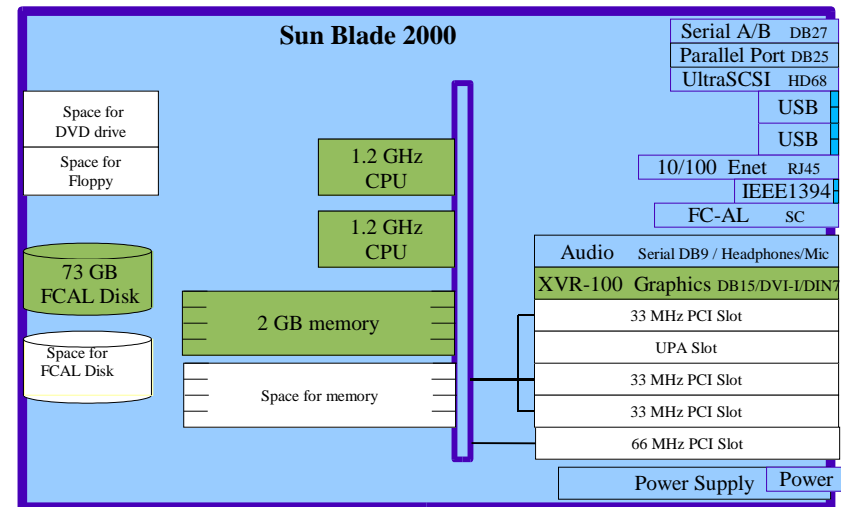


Sun Blade 2000 Workstation Detail



Sun Blade 2000

- 2 CPU's - 1.2 GHz
- 2 GB Memory (8 max)
- Internal 73 GB FCAL disk (2 max)
- Slot for DVD Drive
- Slot for Floppy Drive
- 4 PCI Card Slots - 1x 66 MHz, 3x 33 MHz
- XVR 100 Graphics Card
- 2 UPA slots
- 2 IEEE 1394 ports



Sun Monitors



18.1 inch LCD
1280 x 1024 Max Resolution
DVI-I Video Connector
HD15 Connector



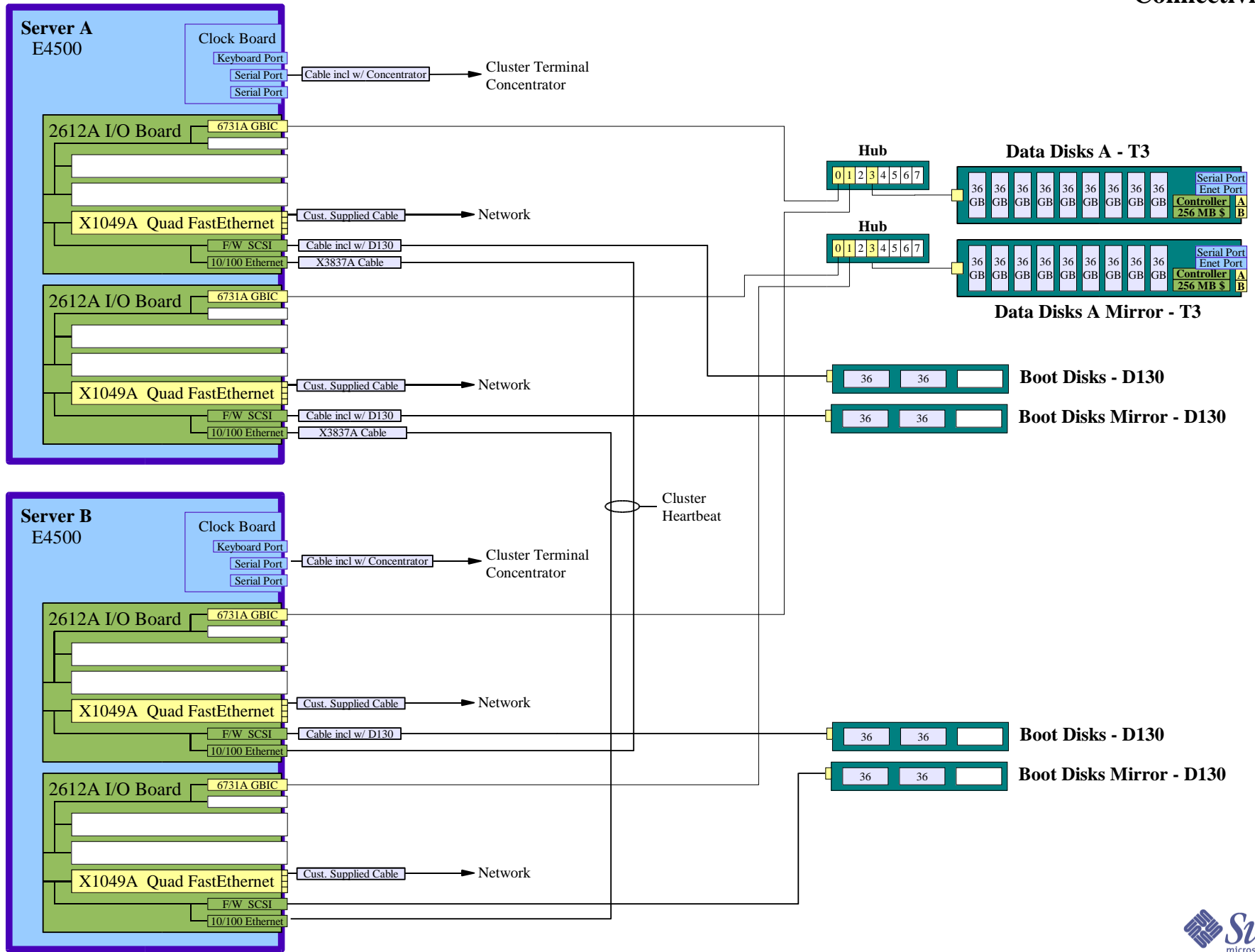
21 inch FD Trinitron CRT
1600 x 1200Max Resolution
Attached 13W3 Video Cable
Separate HD15 Connector

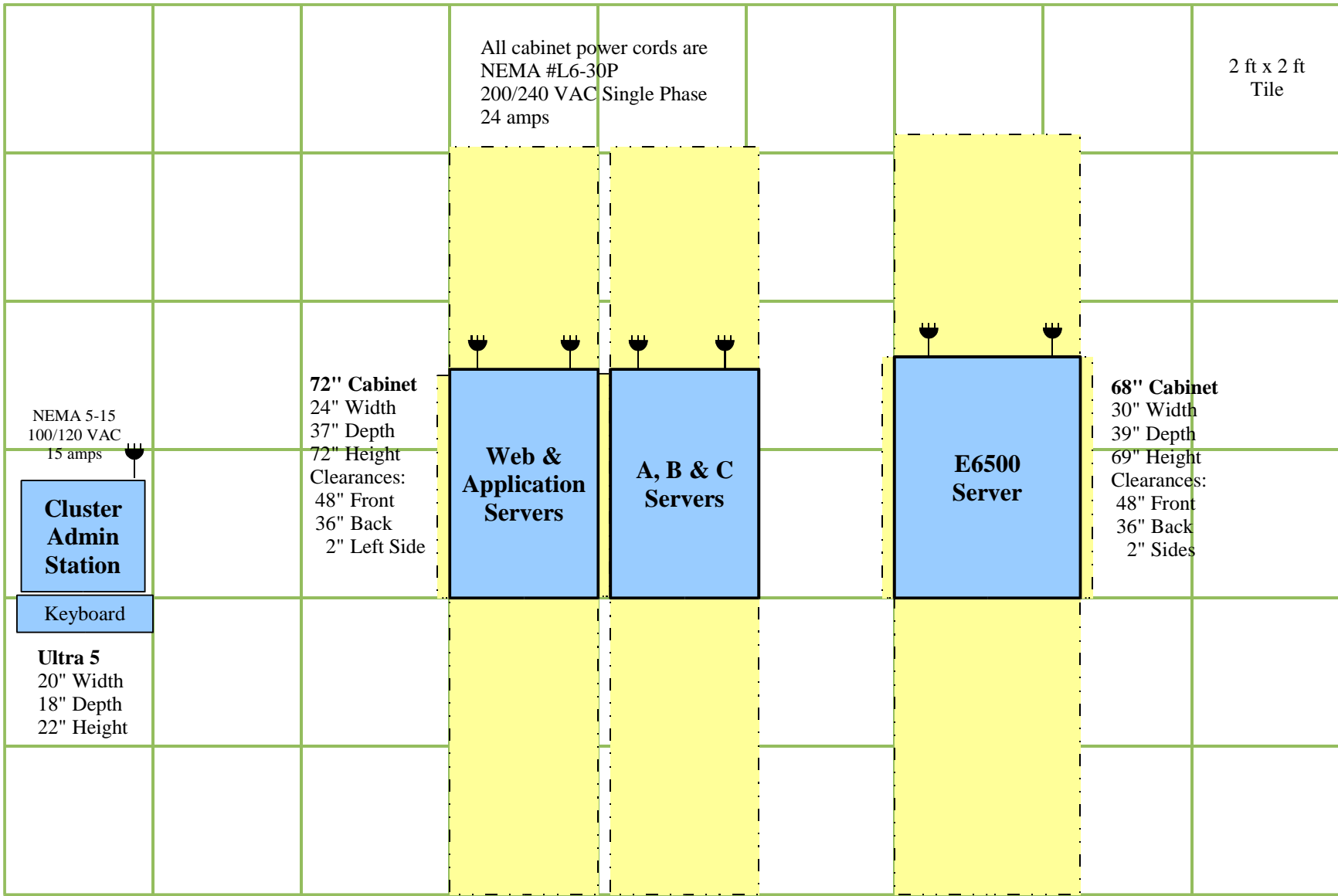


PCI Cards with Last Order Dates

1159A ATM 622	MMF	03-DEC-2003
1158A ATM 155 UTP		03-DEC-2003
1032A Sun Swift	HD68 RJ45	18-JUL-2003
1033A 10/100 Enet	RJ45	18-JUL-2003
1141A Gb Enet	MMF	18-APR-2003



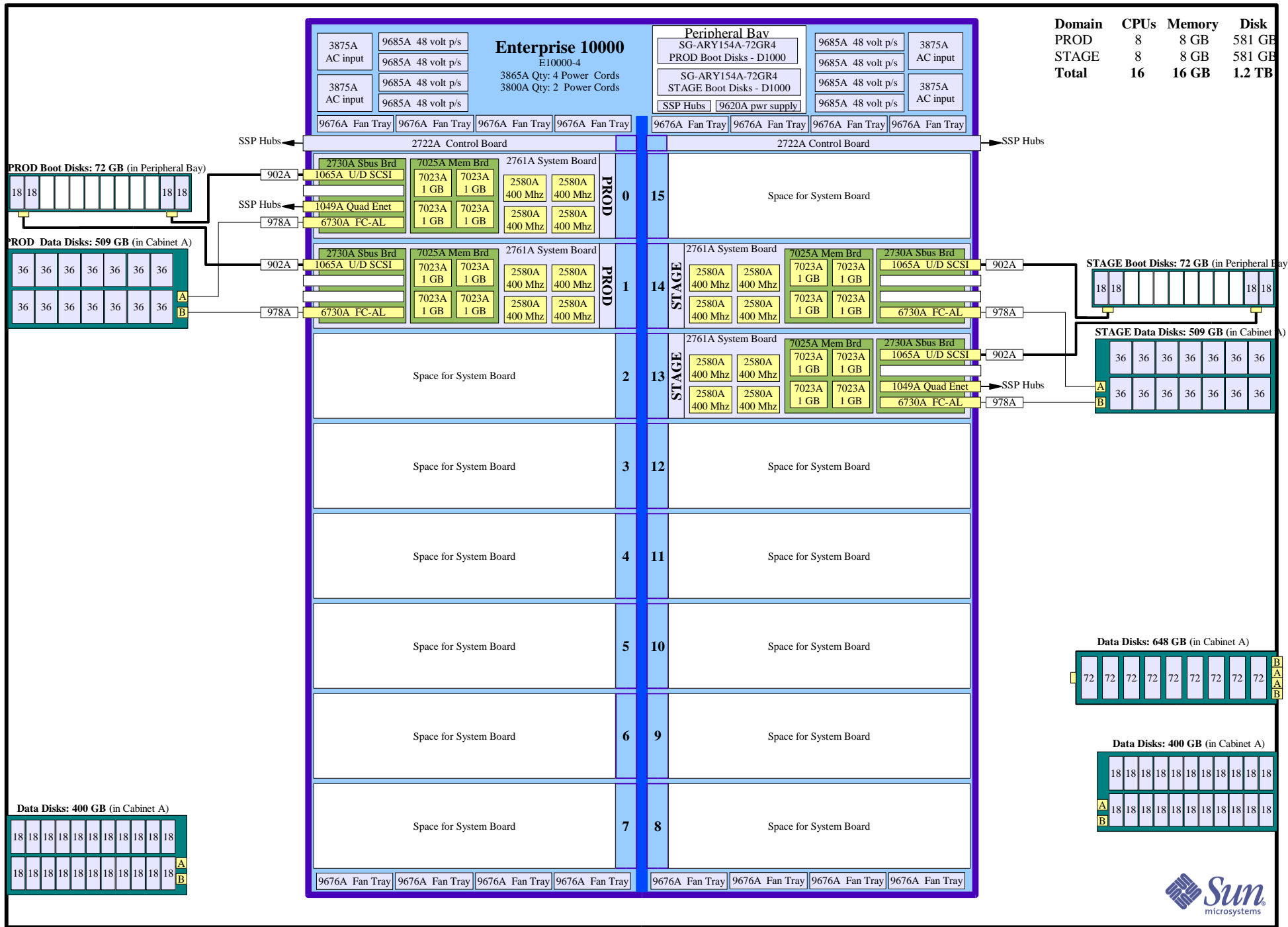




Grid Resolution 0.5, Subdivision 11 yields 1 grid dot = 1 inch

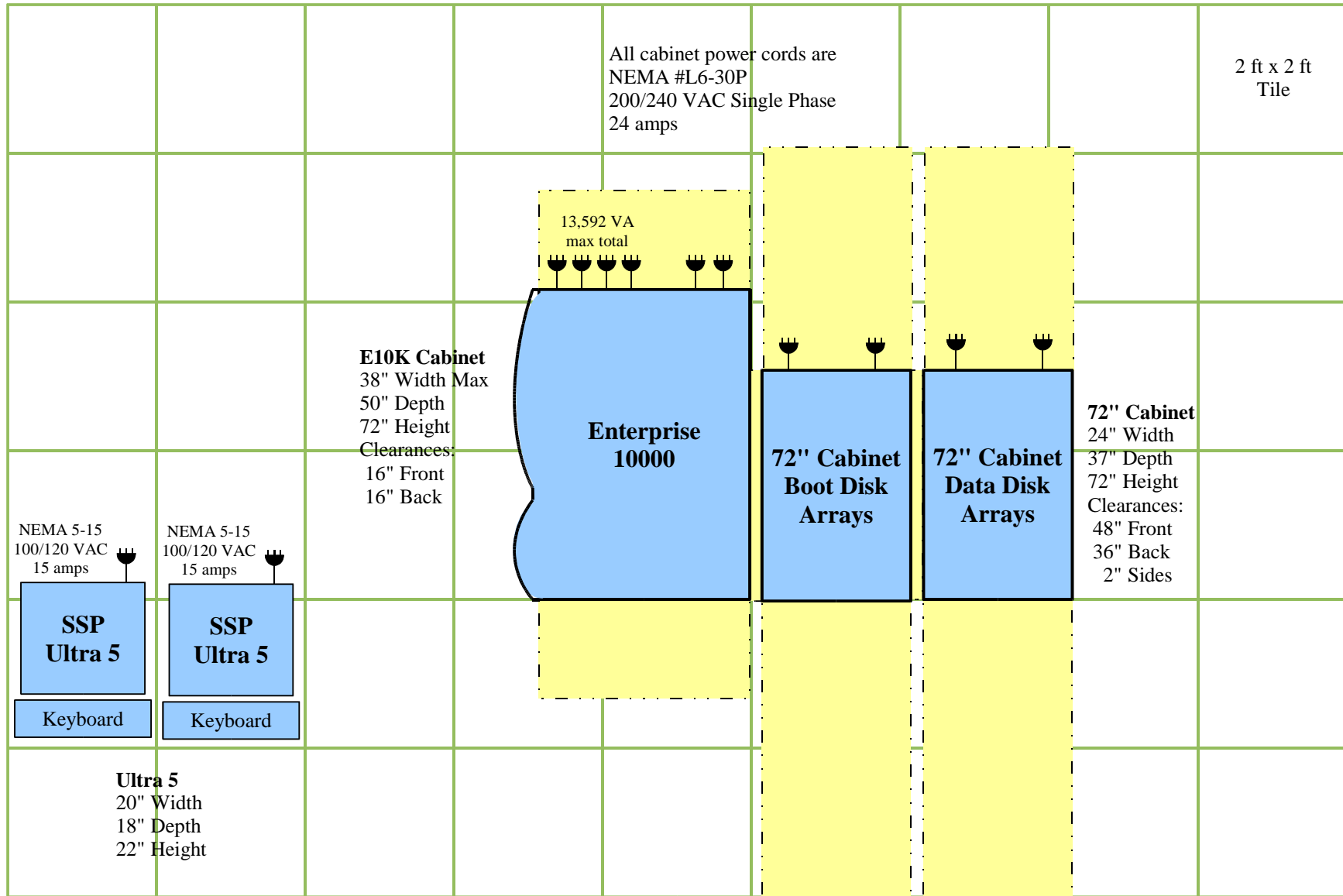


Enterprise 10K Server Detail



Enterprise 10K Server Site Plan

Site Plan



Grid Resolution 0.5, Subdivision 11 yields 1 grid dot = 1 inch

